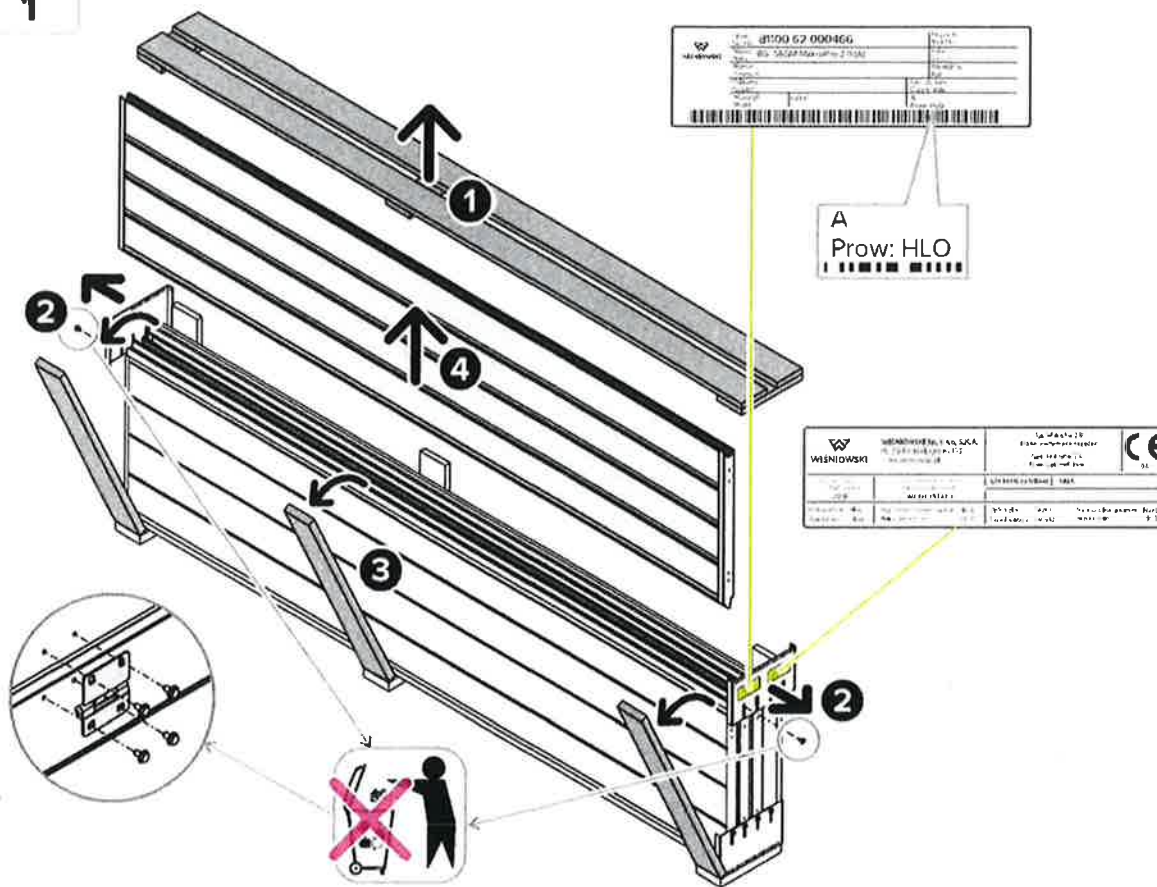
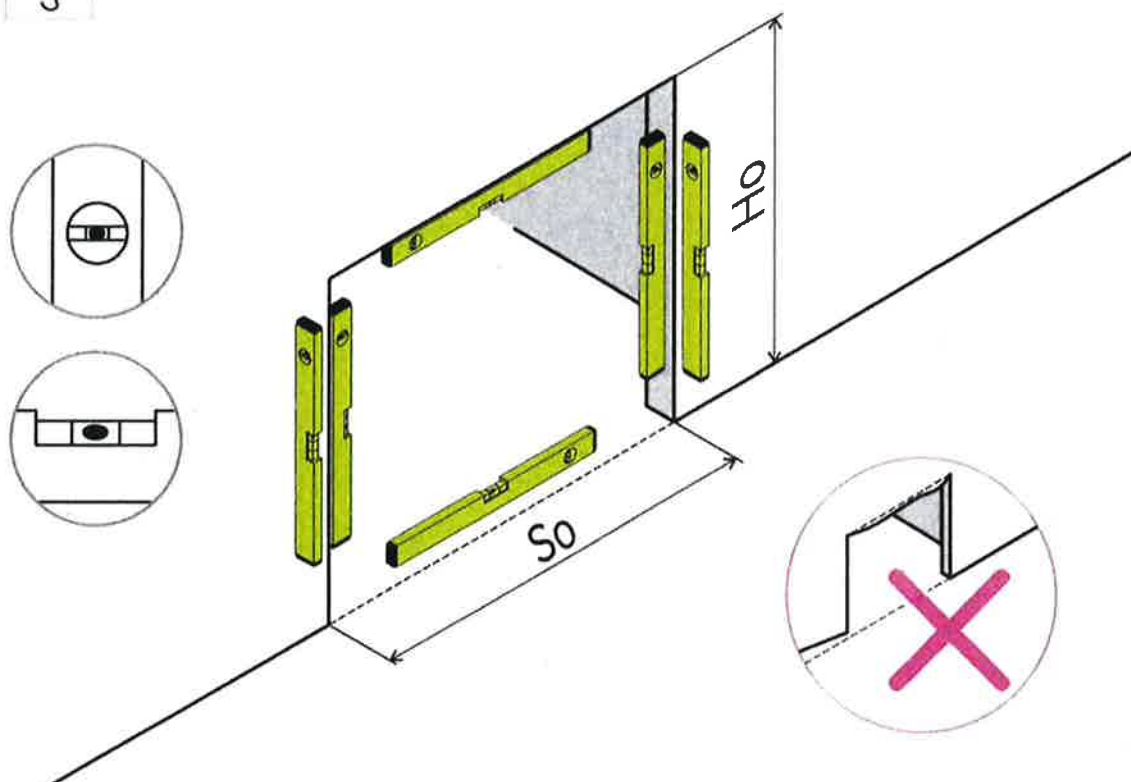


1

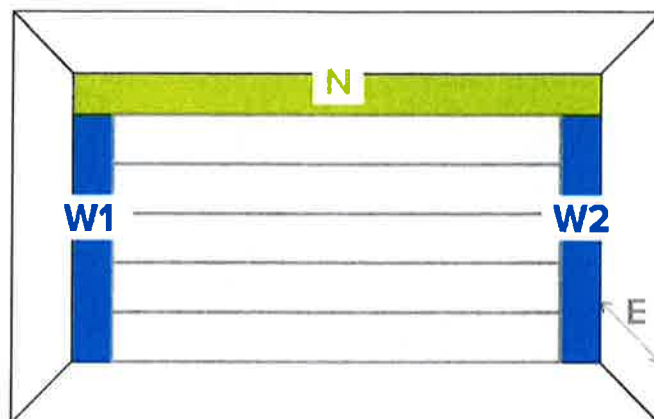


1.1

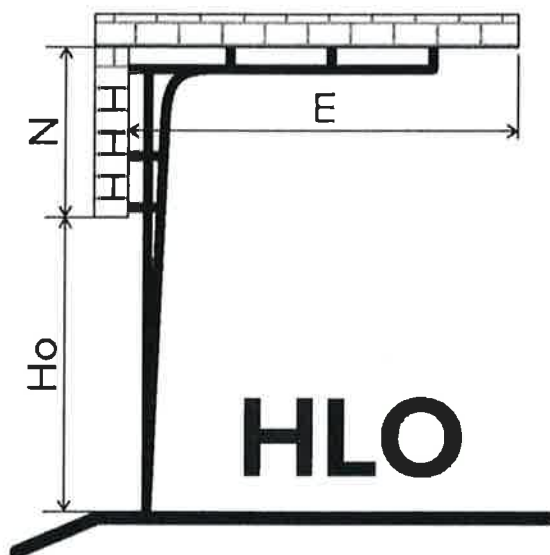


HLO

1.2

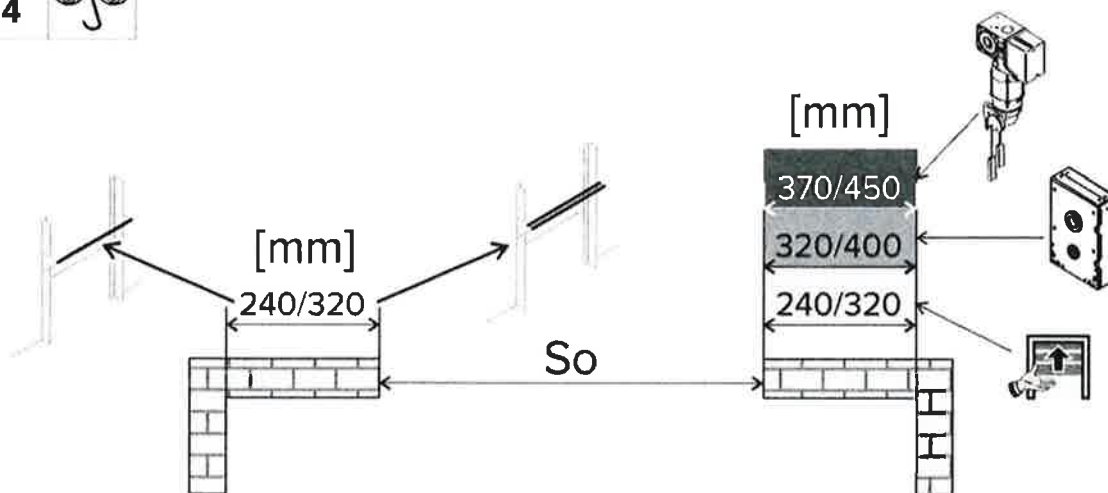


1.3

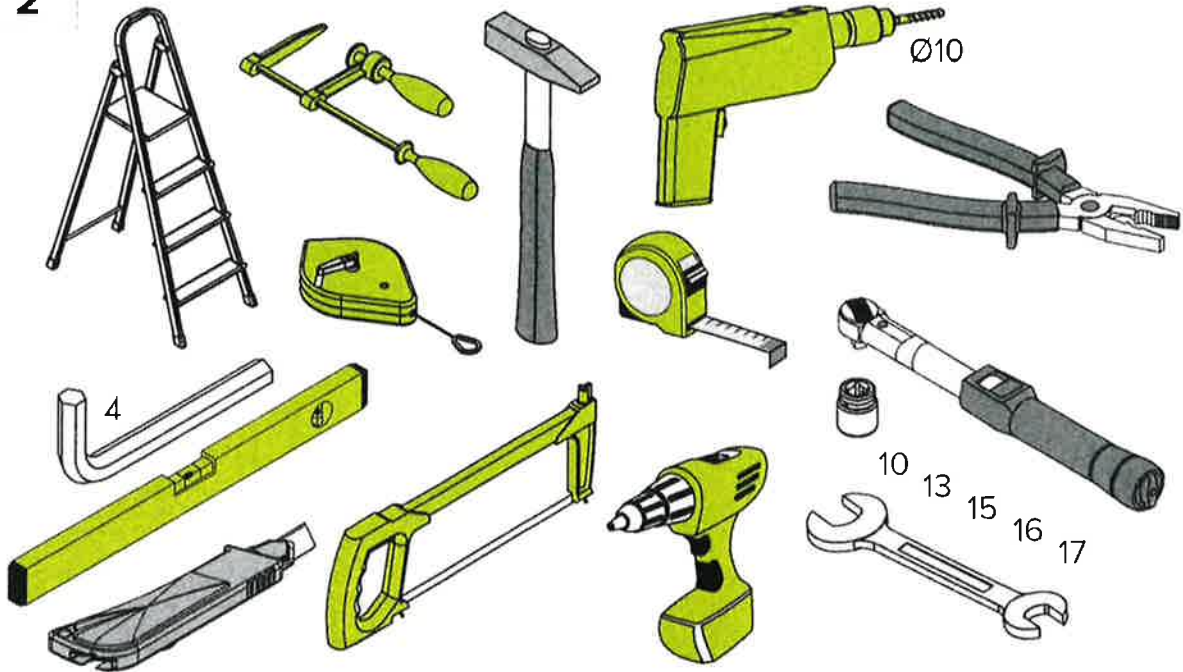


HLO

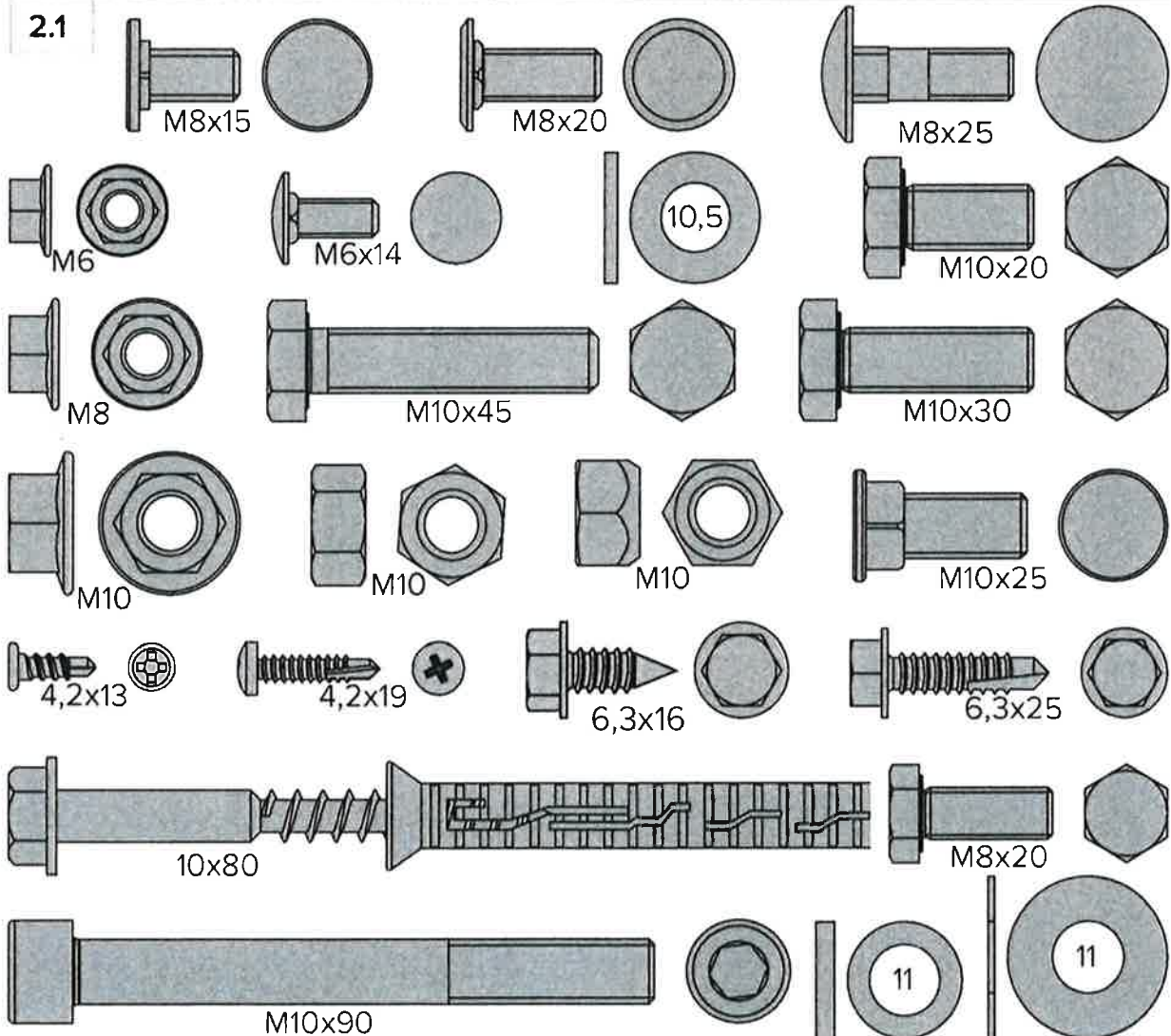
1.4



2

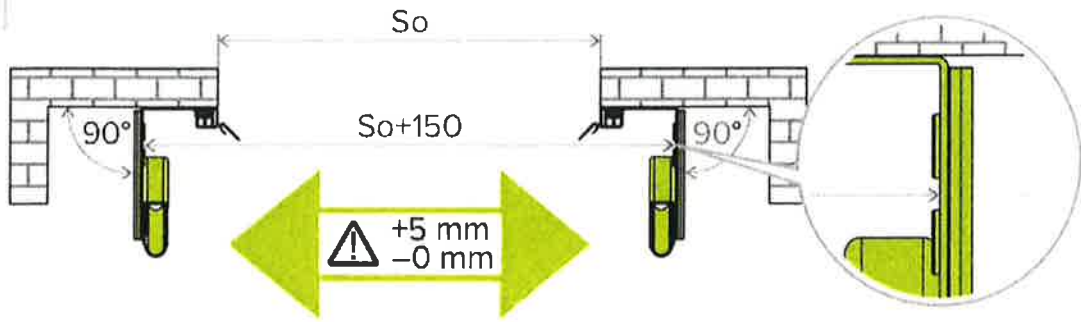


2.1

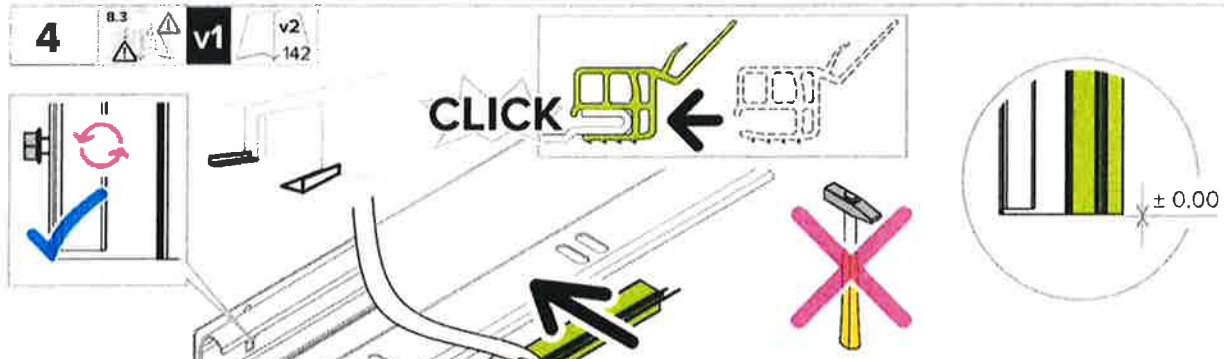


HLO

3



4



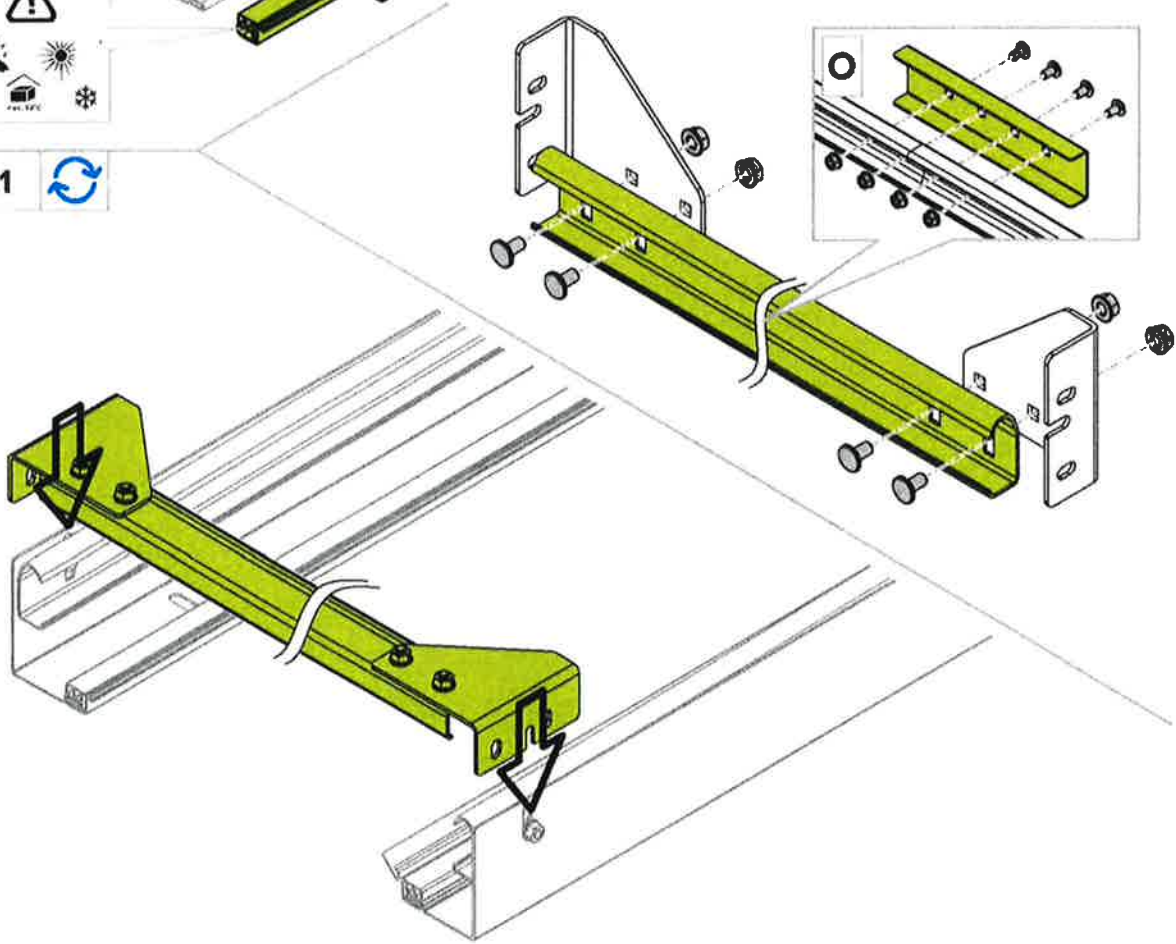
3



5.1

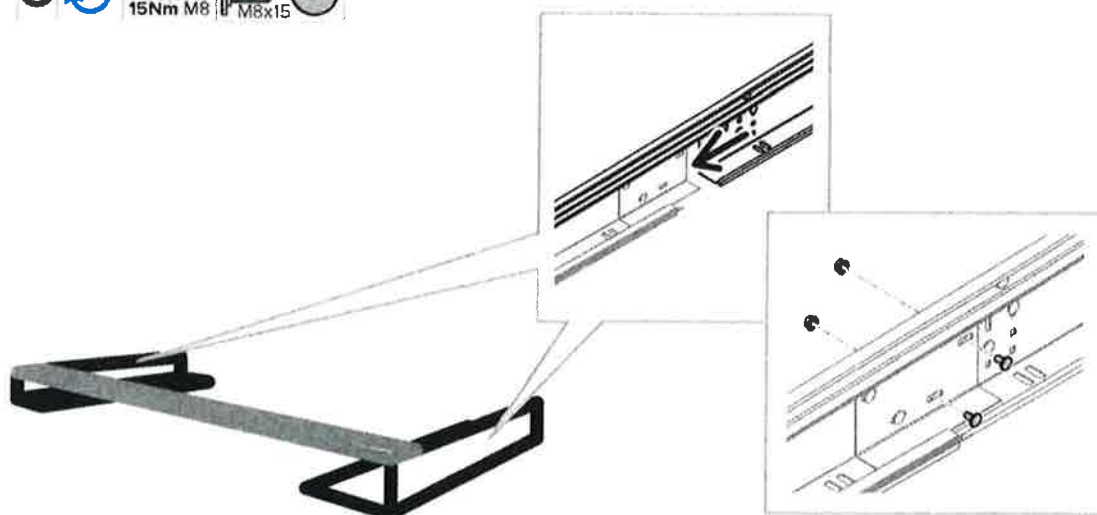


15Nm M8 M8x15 5

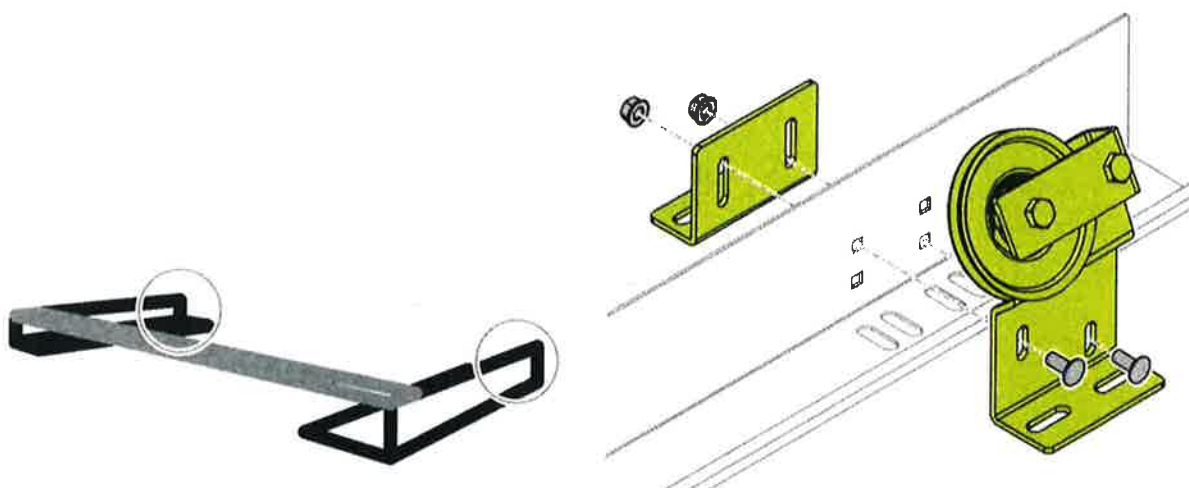


HLO

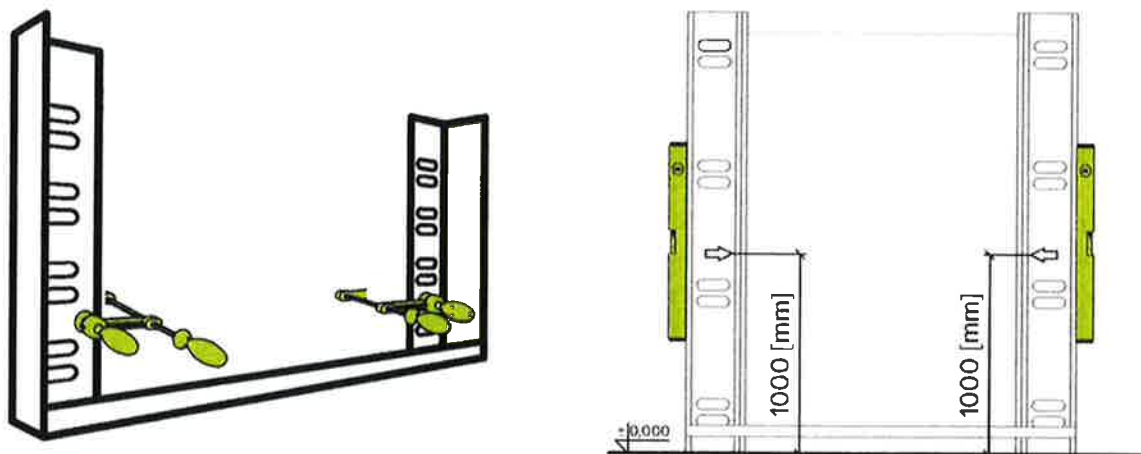
6   15Nm M8  M8x15 



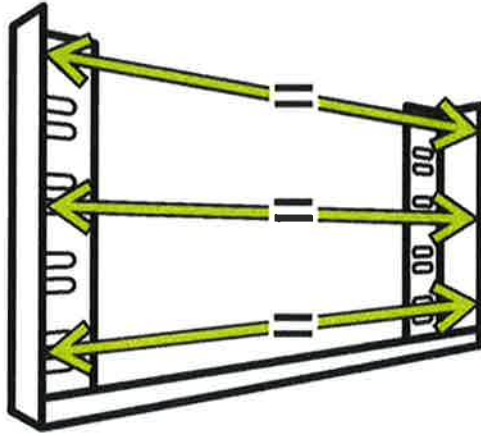
7   15Nm M8  M8x25 



8 

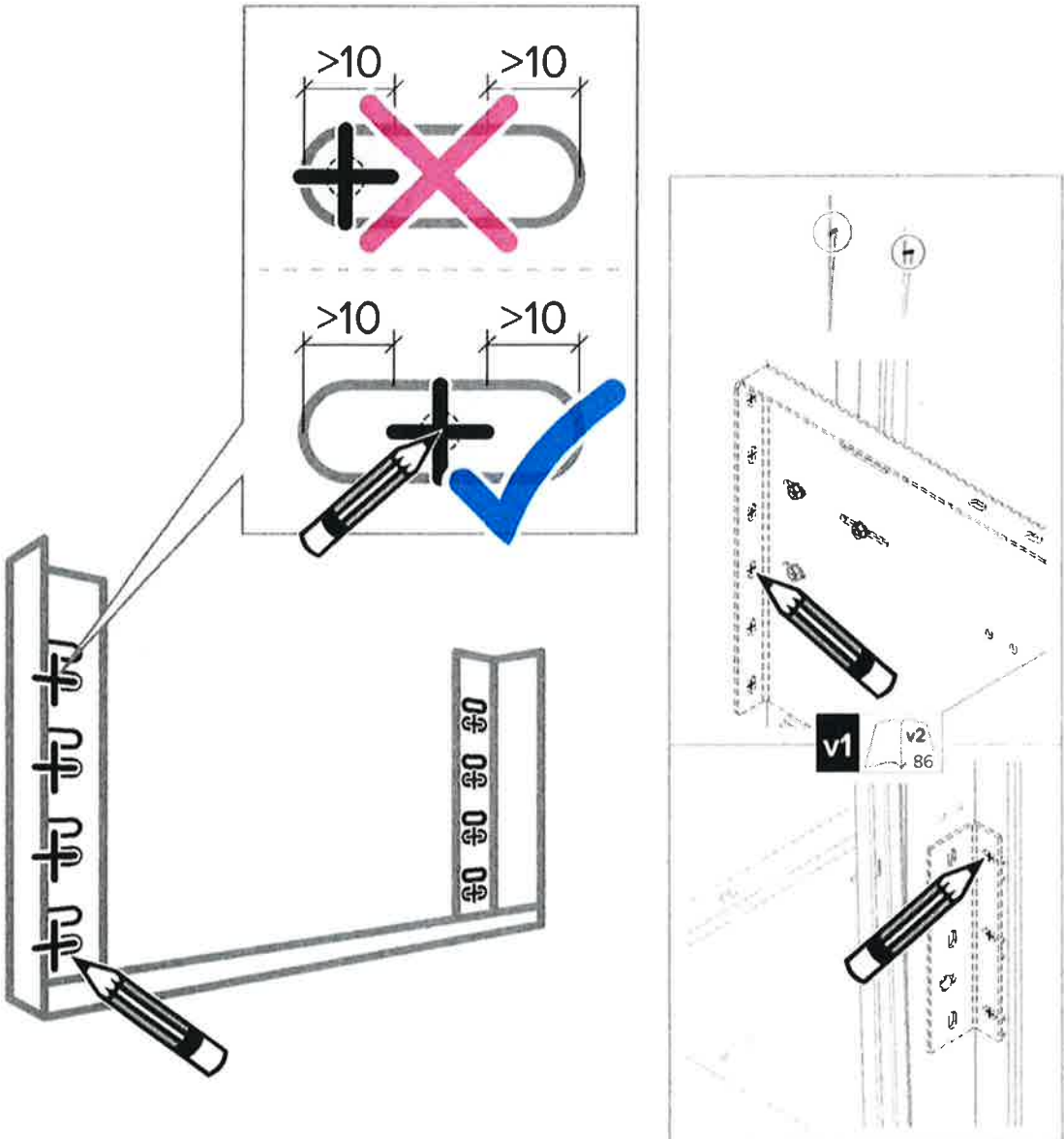


9

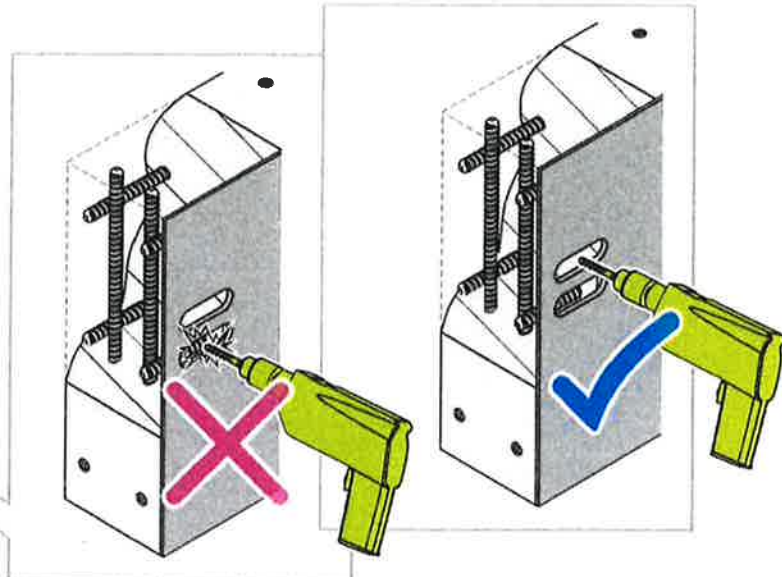
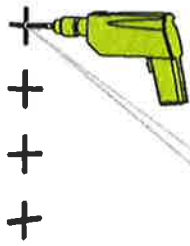


10

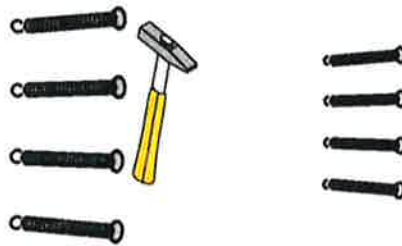
HLO



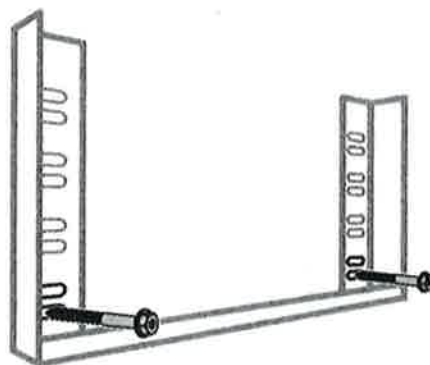
11



12

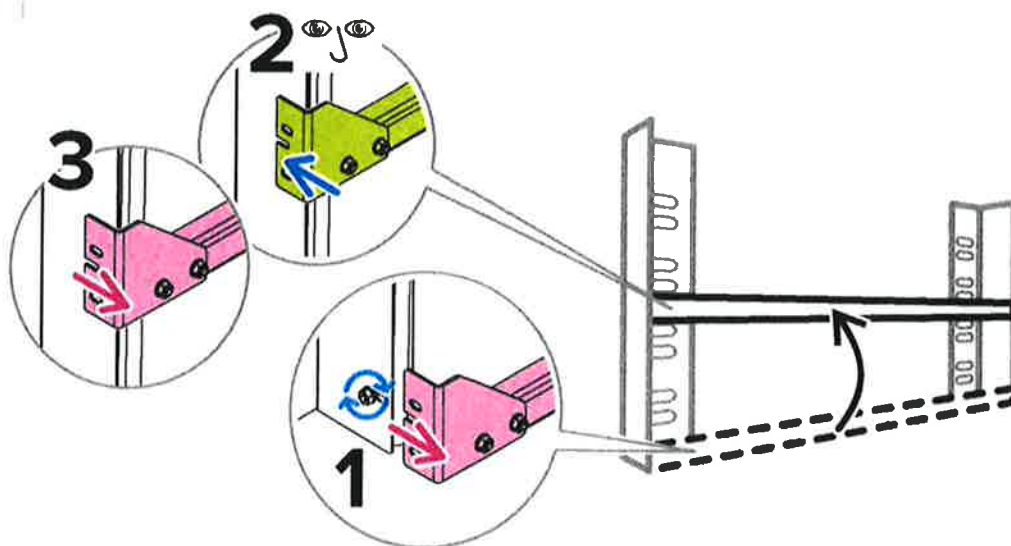


13

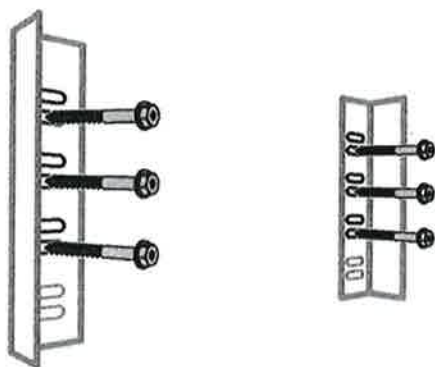


HLO

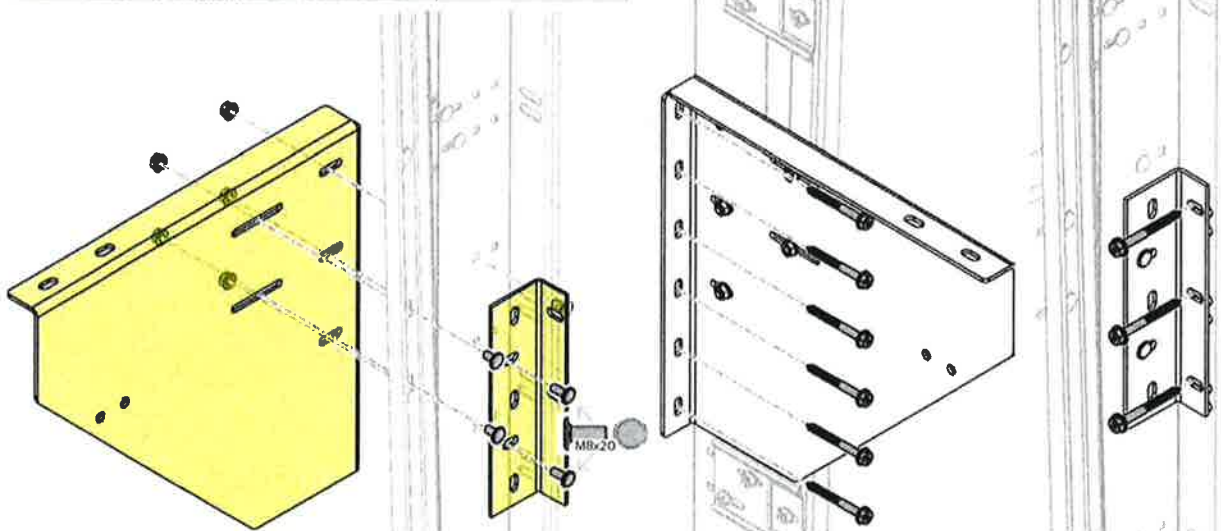
14



15

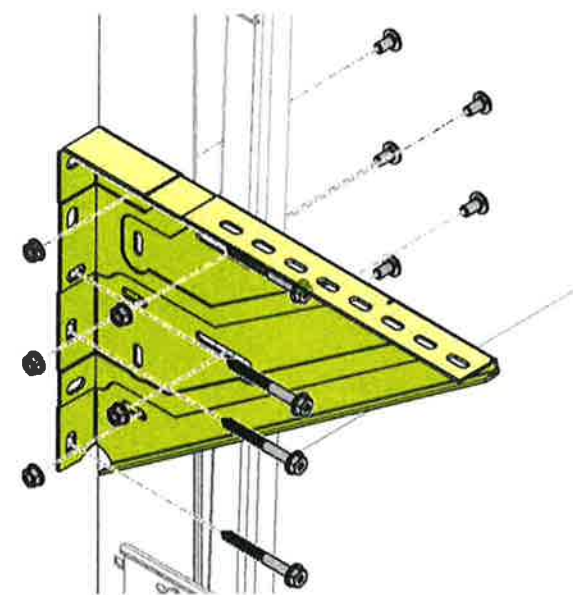
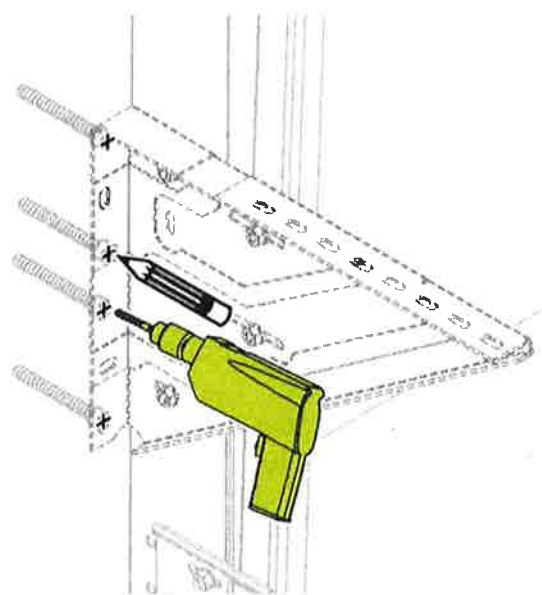


15.1 v1





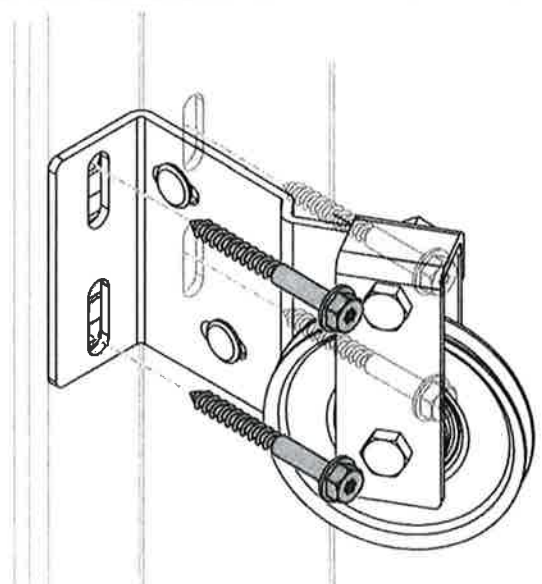
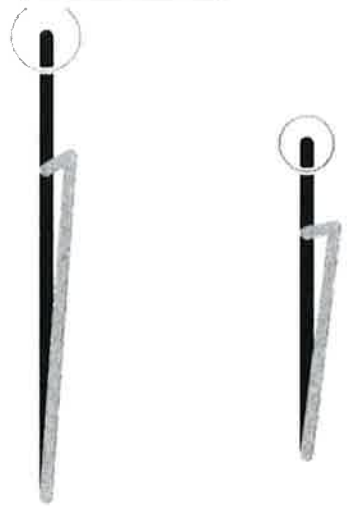
HLO

15.1    15Nm M8  M8x15  10x80

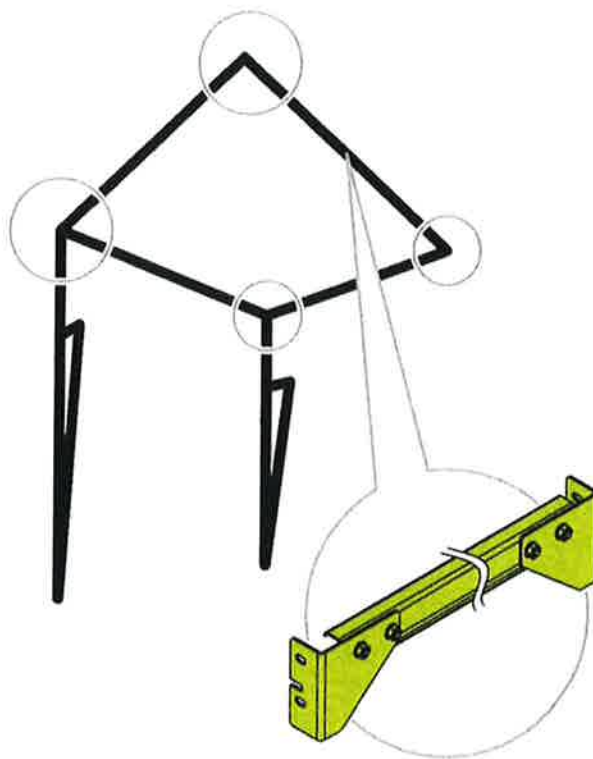


H1H

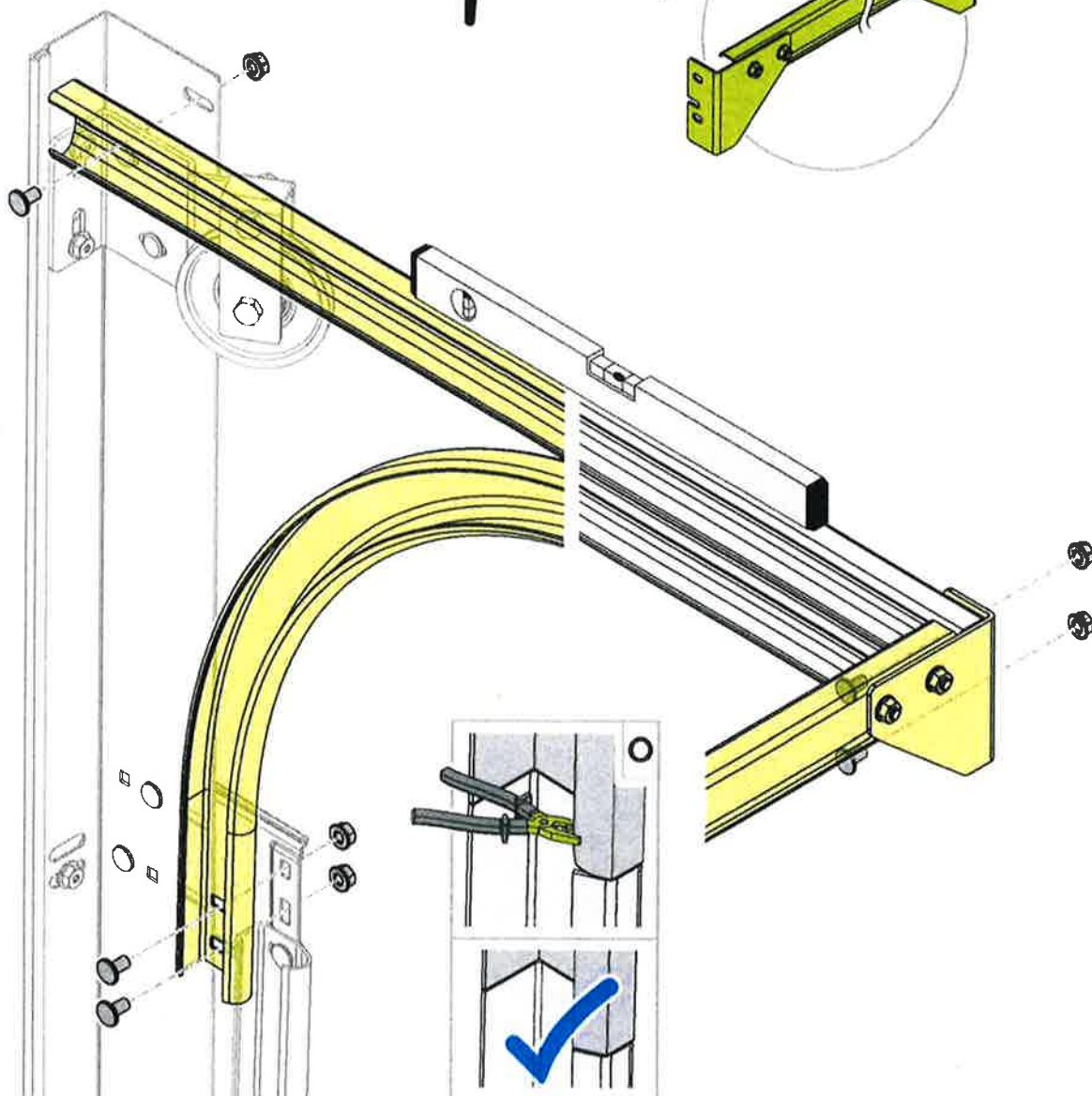
16  

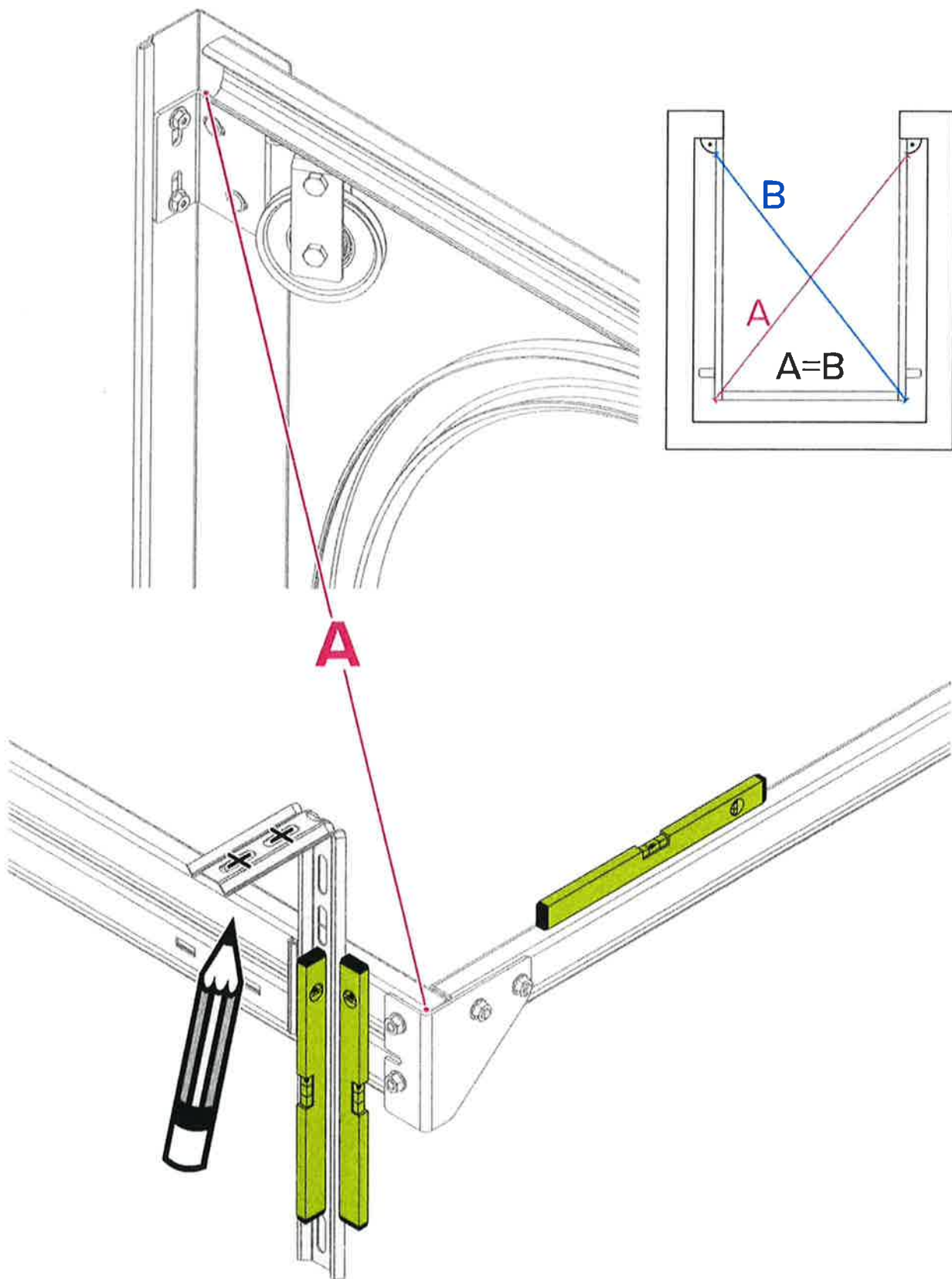


17

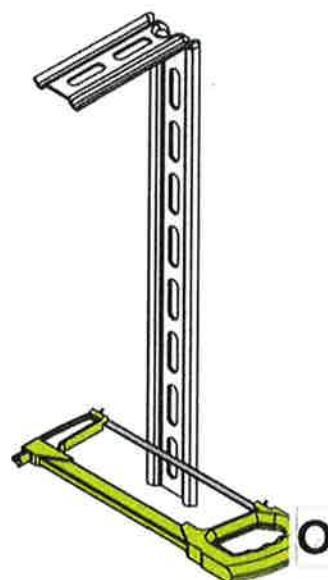
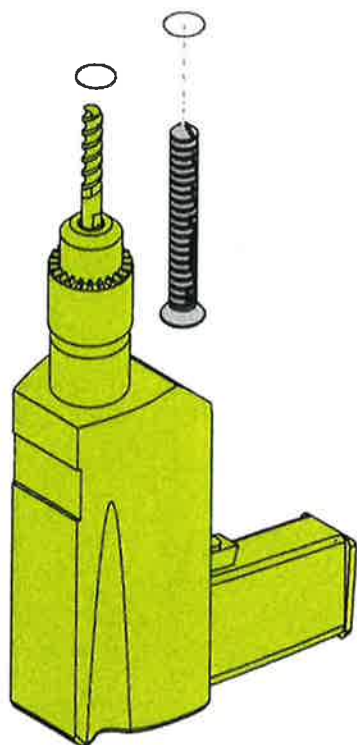


HLO



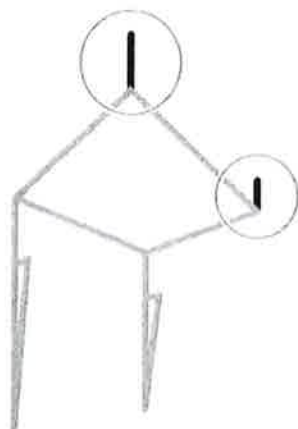
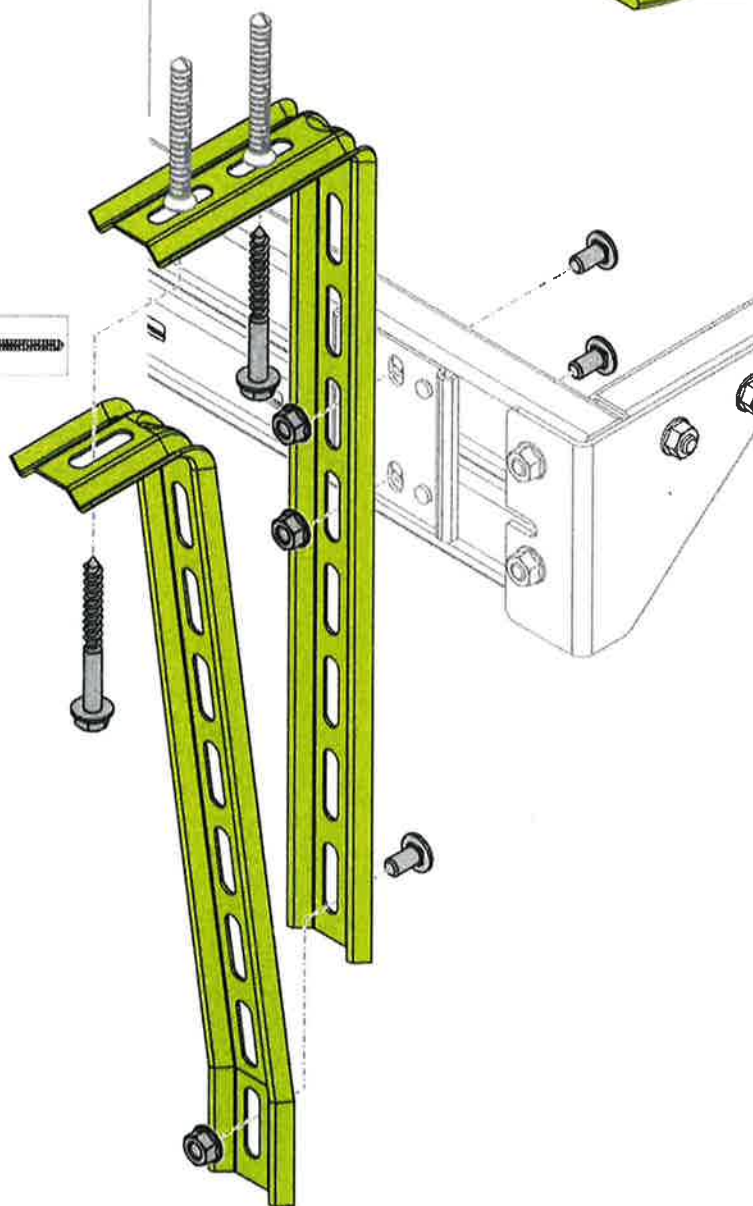


19

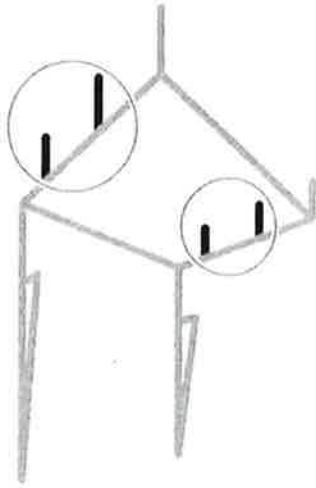


HLO

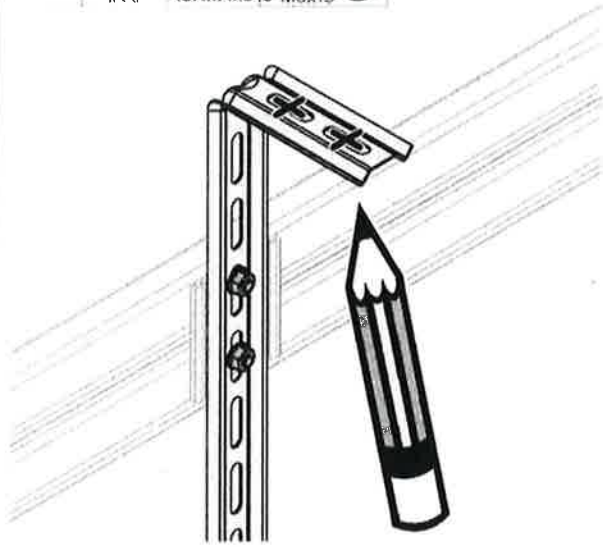
20



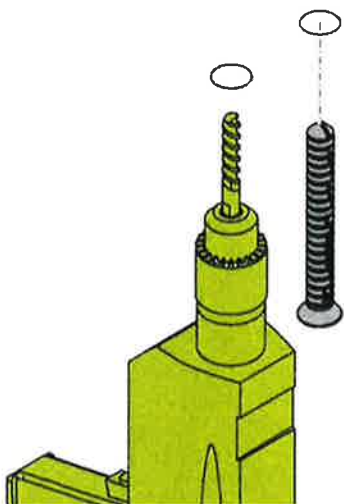
21



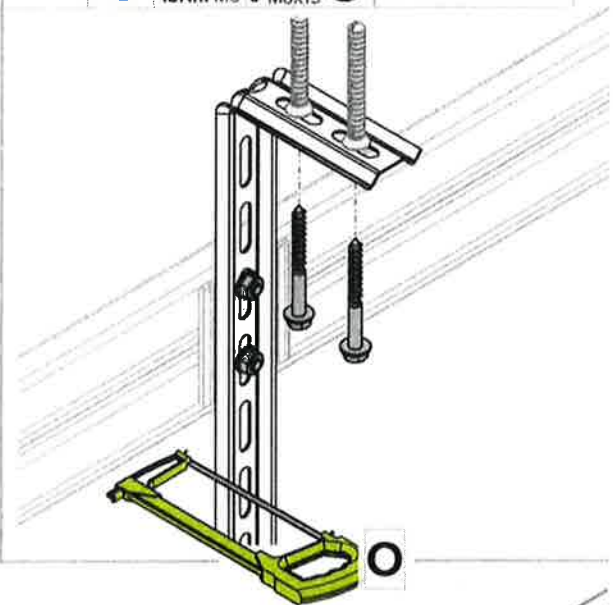
21.1



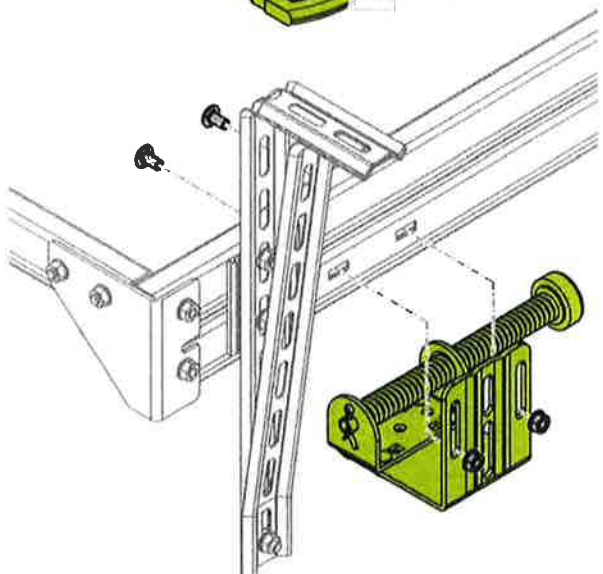
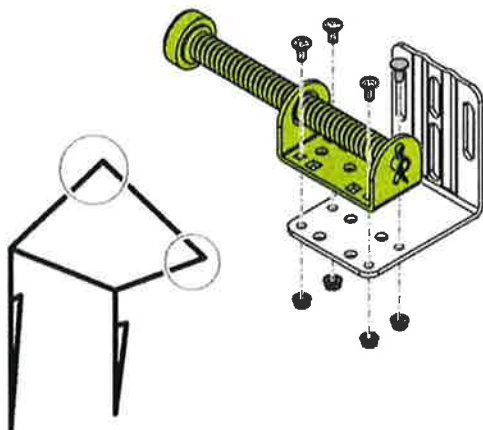
21.2



21.3

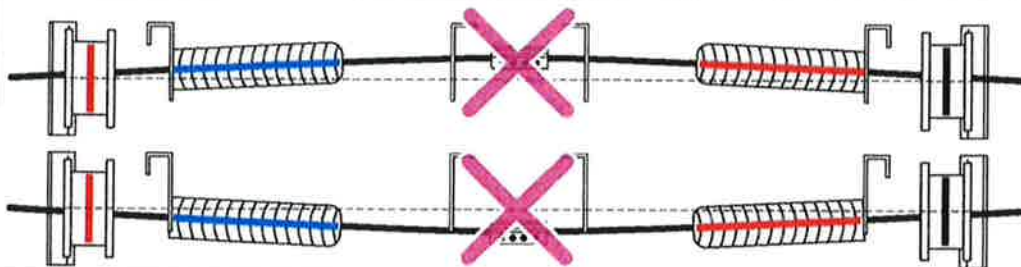


22

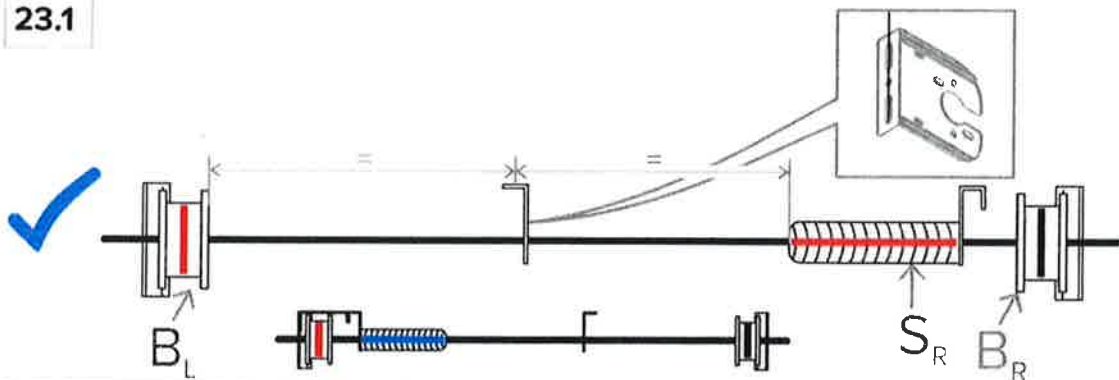


HLO

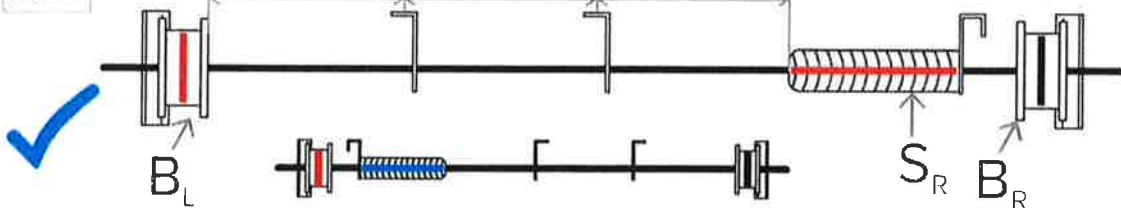
23



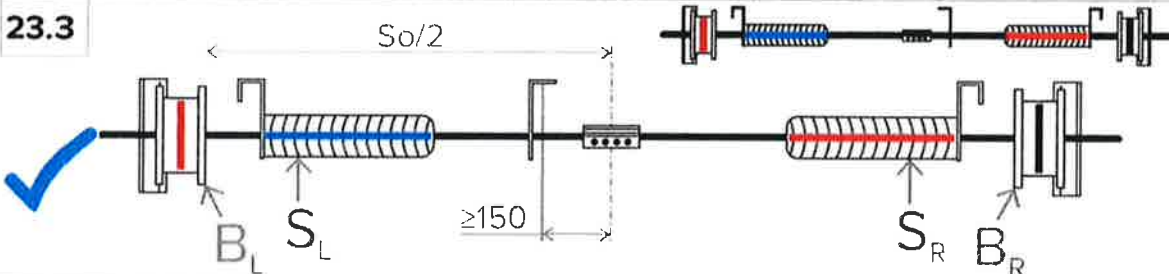
23.1



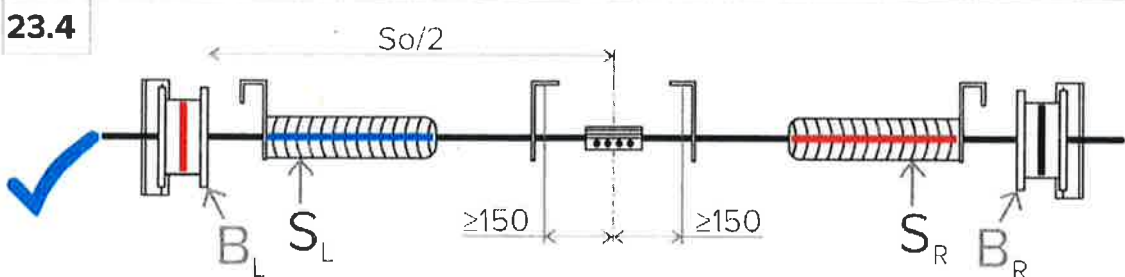
23.2



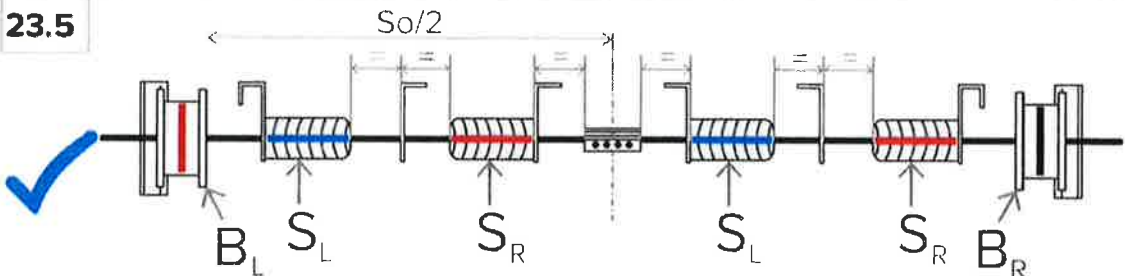
23.3



23.4

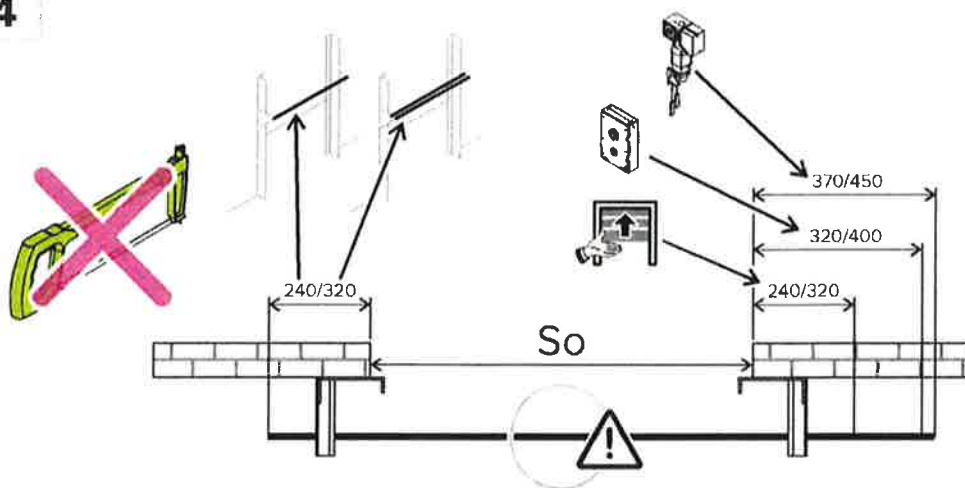


23.5

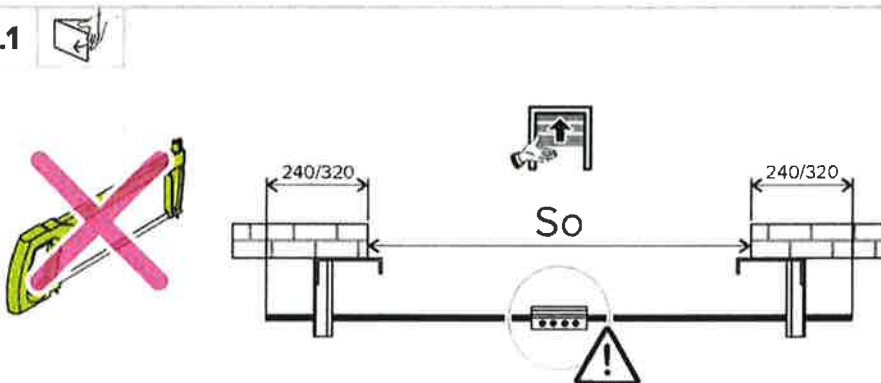


HLO

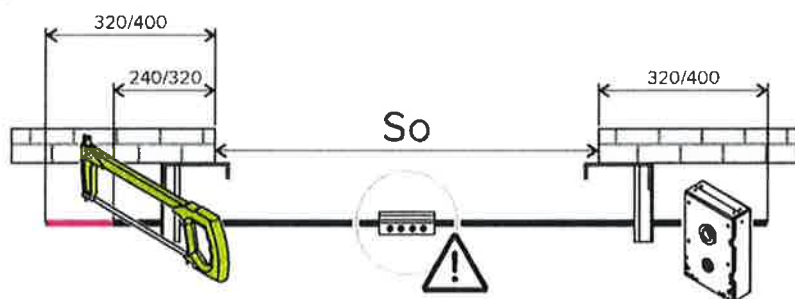
24



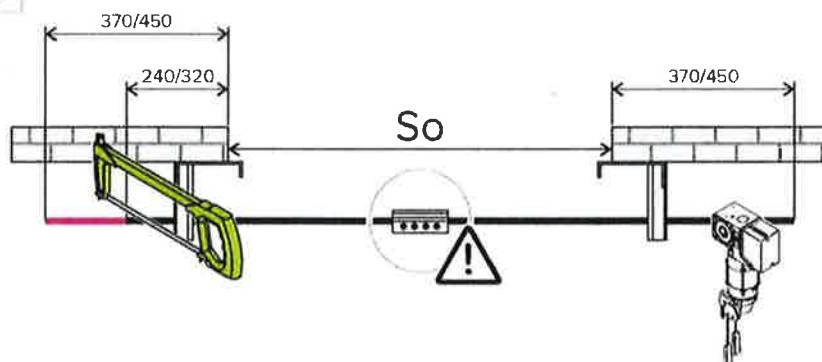
24.1



24.2

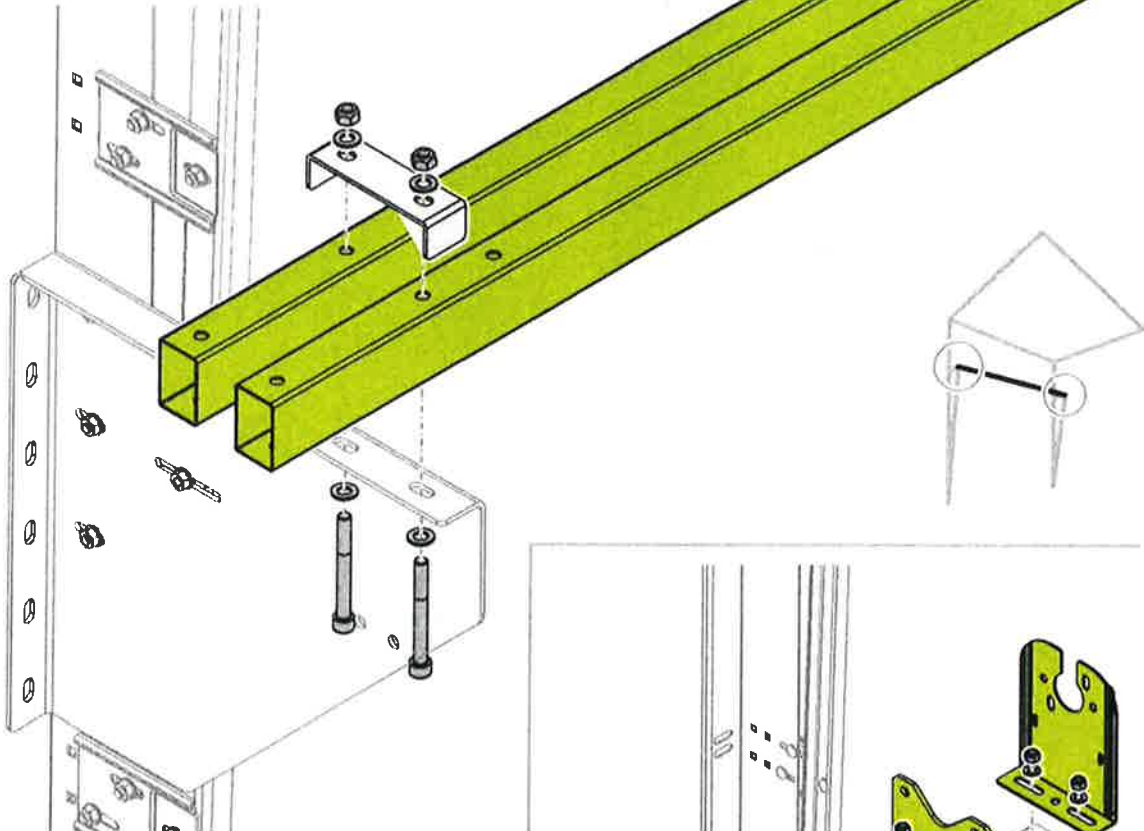


24.3

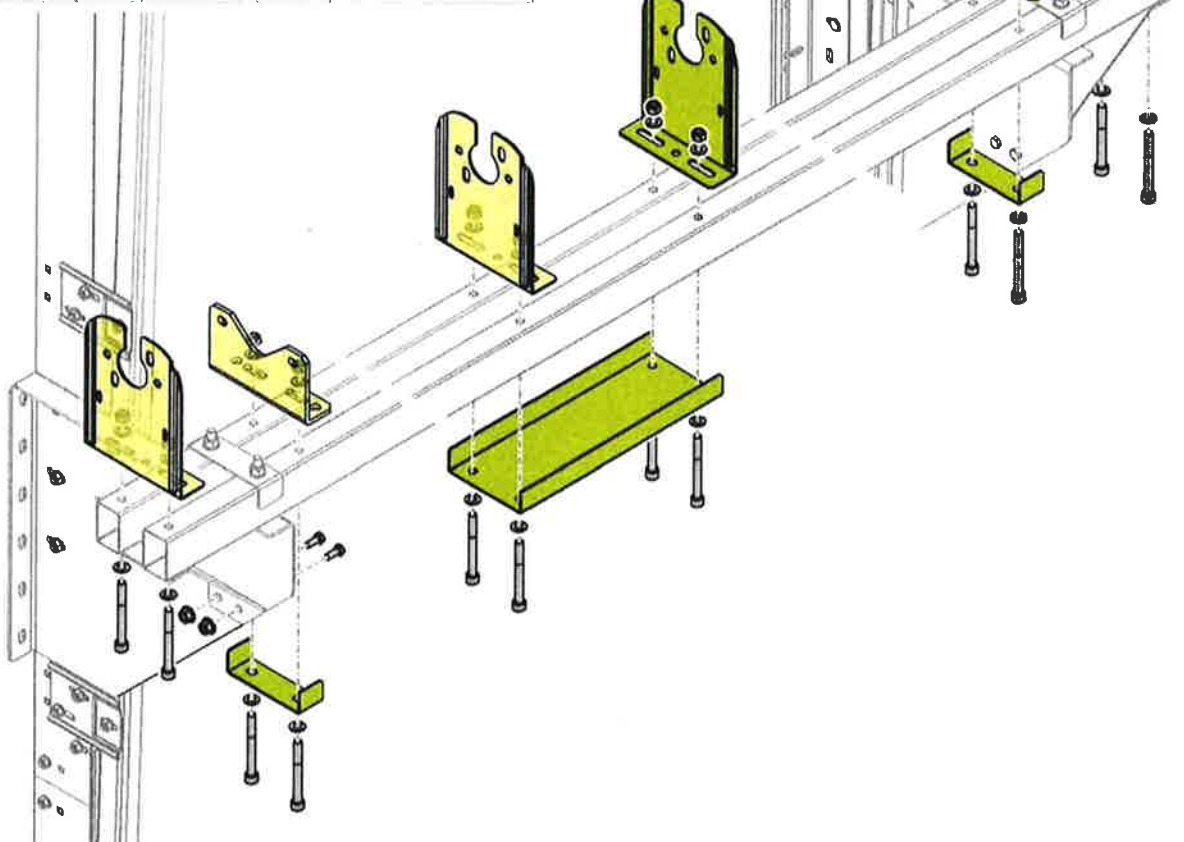
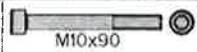


25

v1

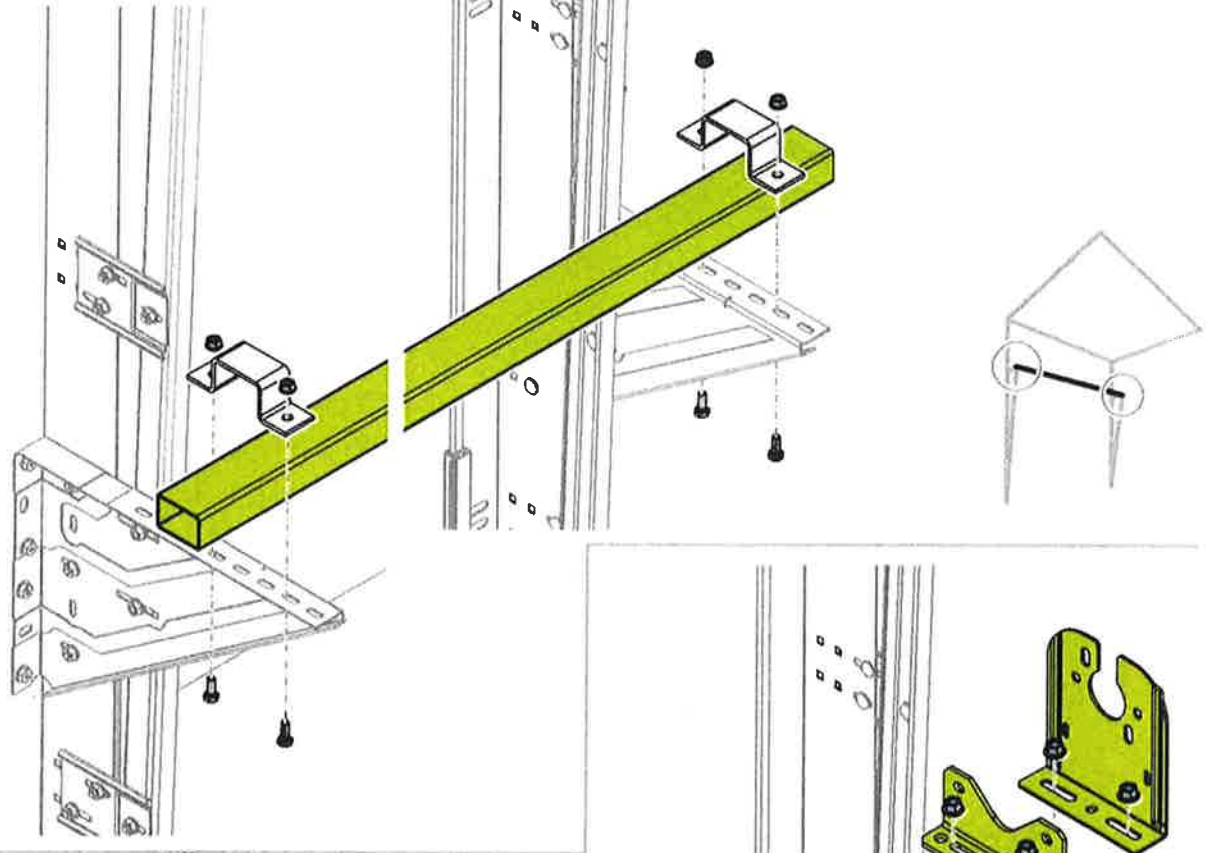


25.1

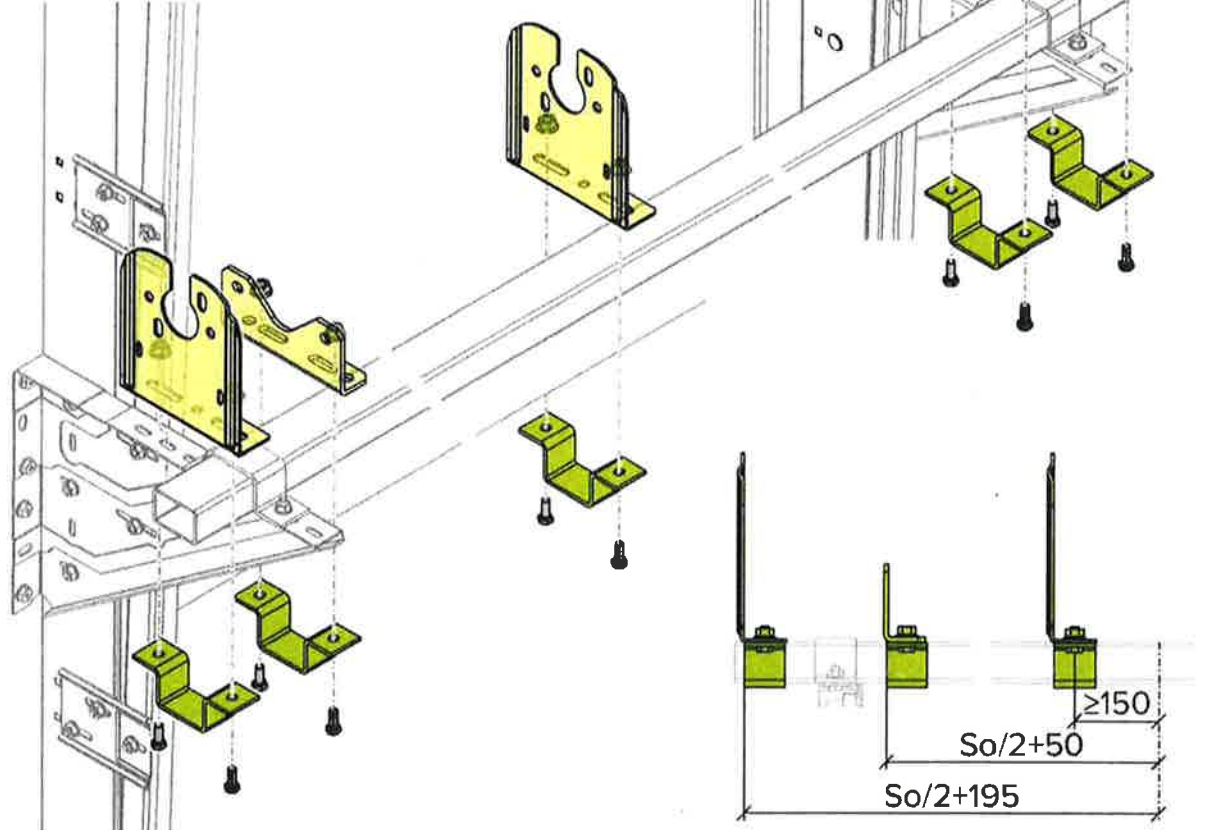


HLO

25 v2  15Nm M8  M8x20

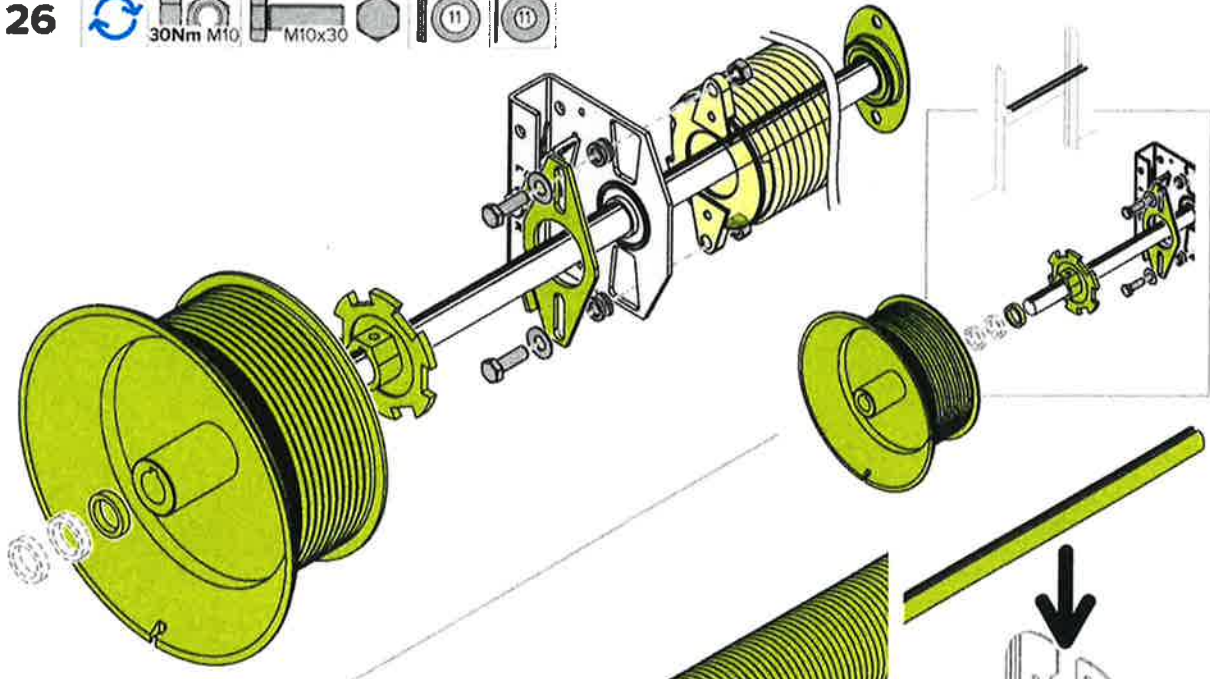


25.1  30Nm M10  M10x20

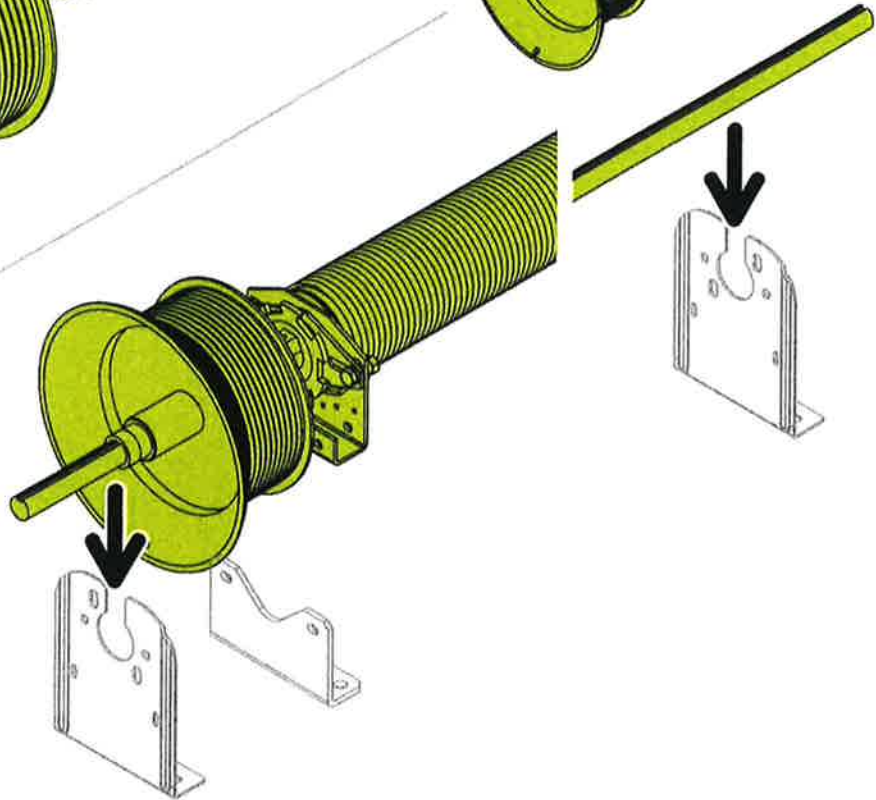


HLO

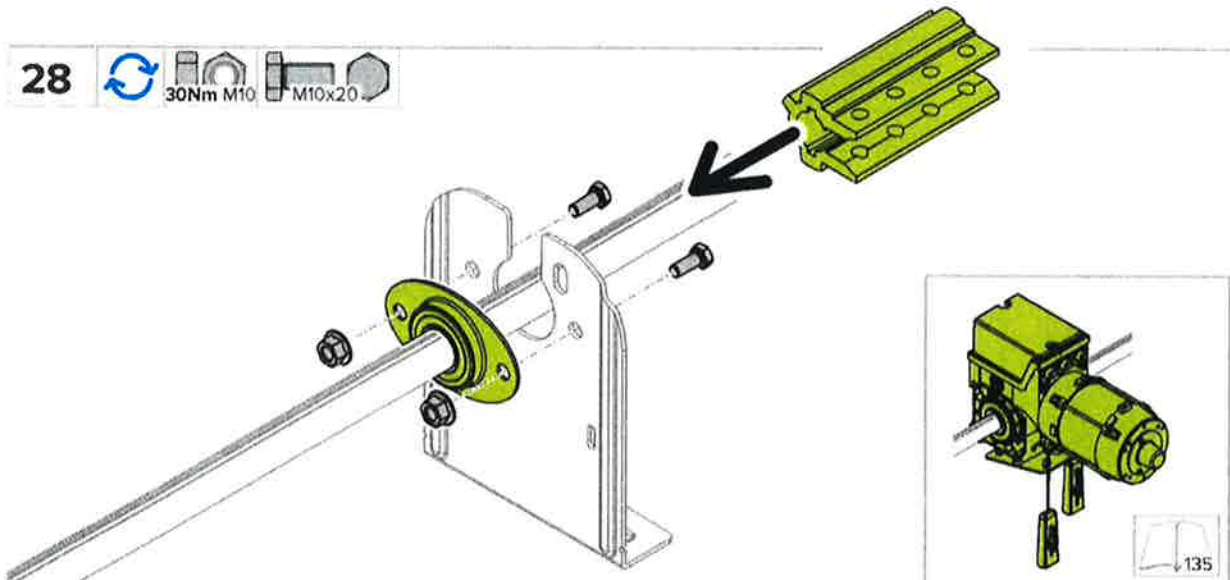
26



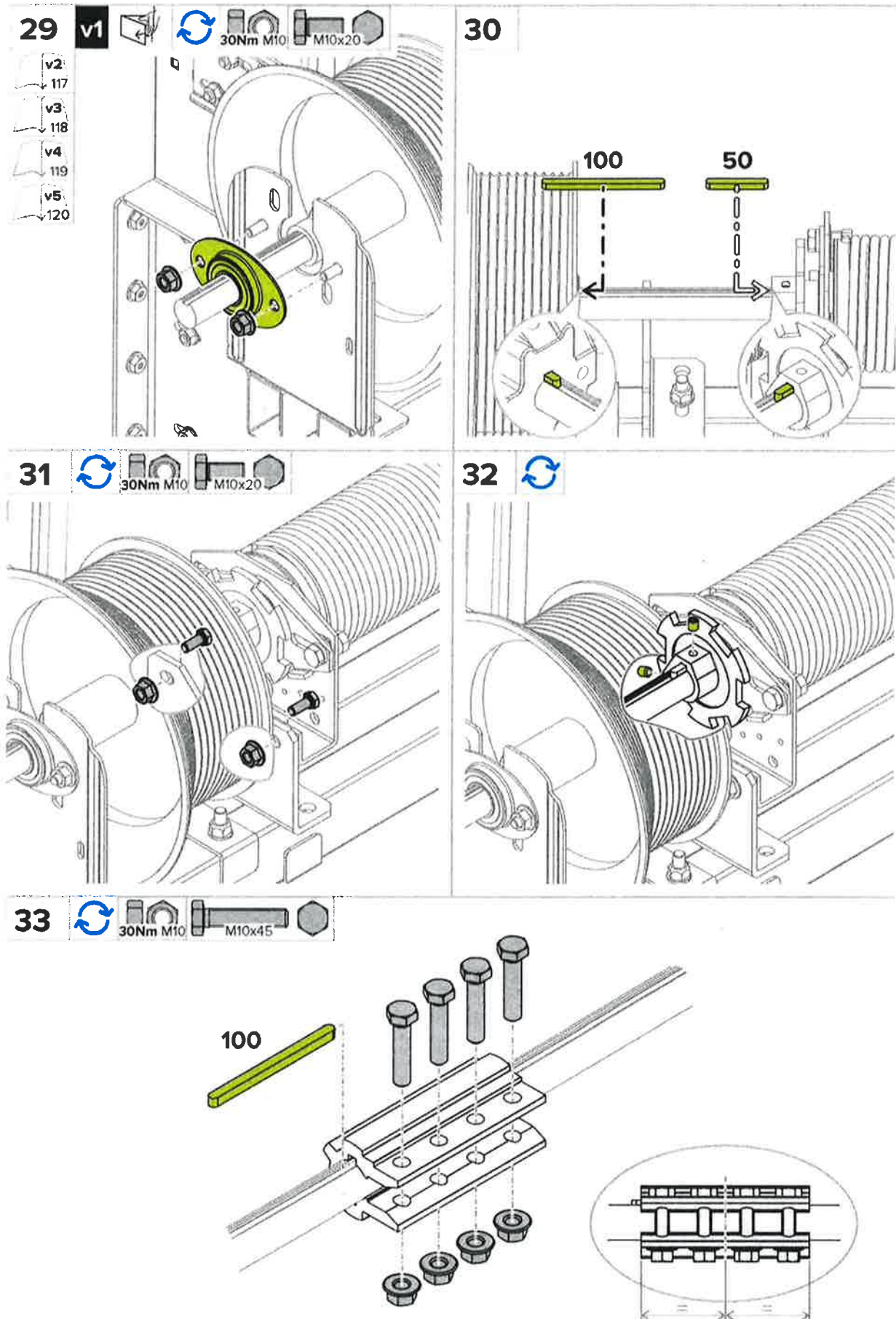
27



28

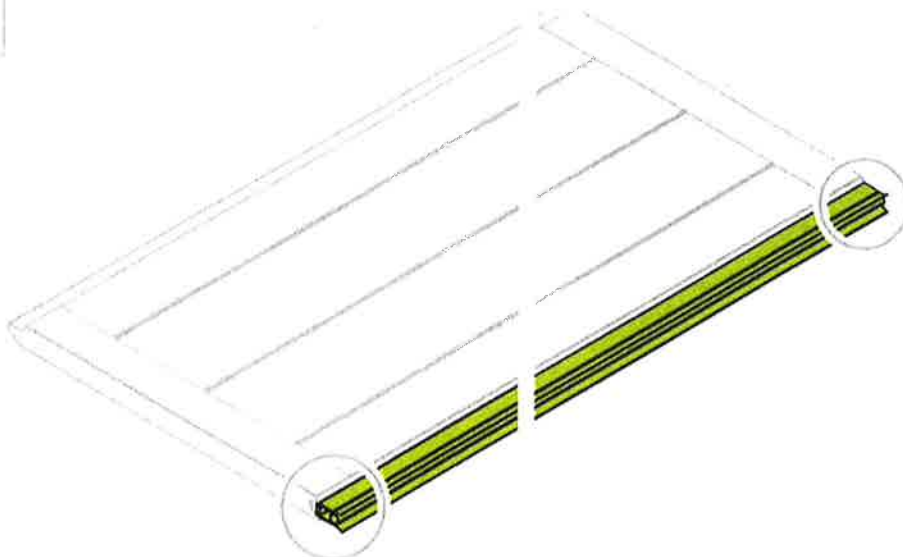


HLO

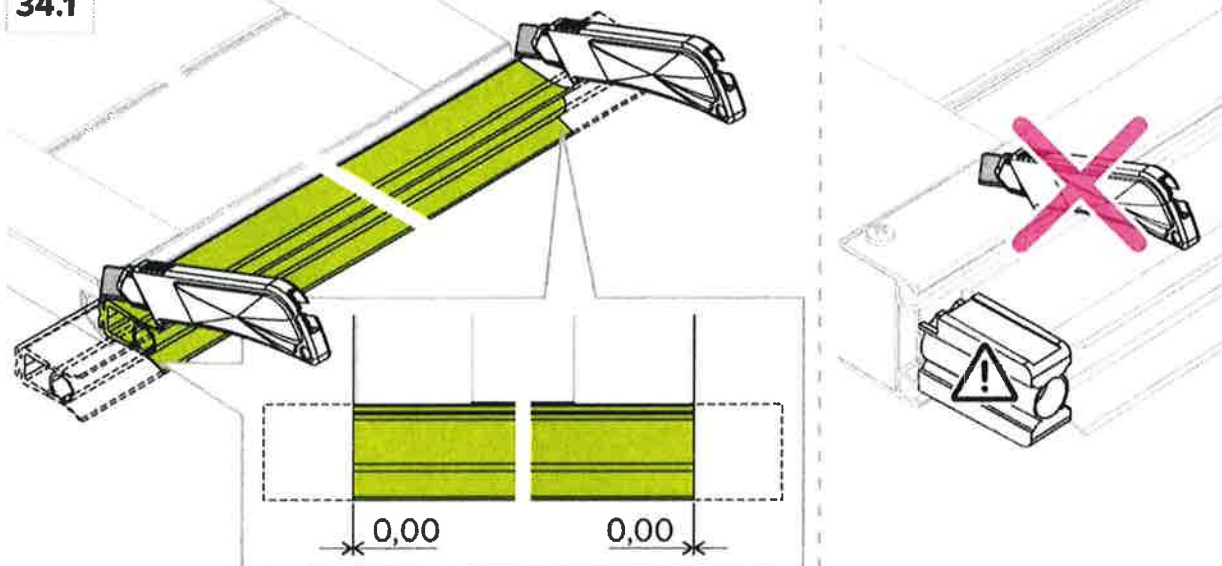


HLO

34

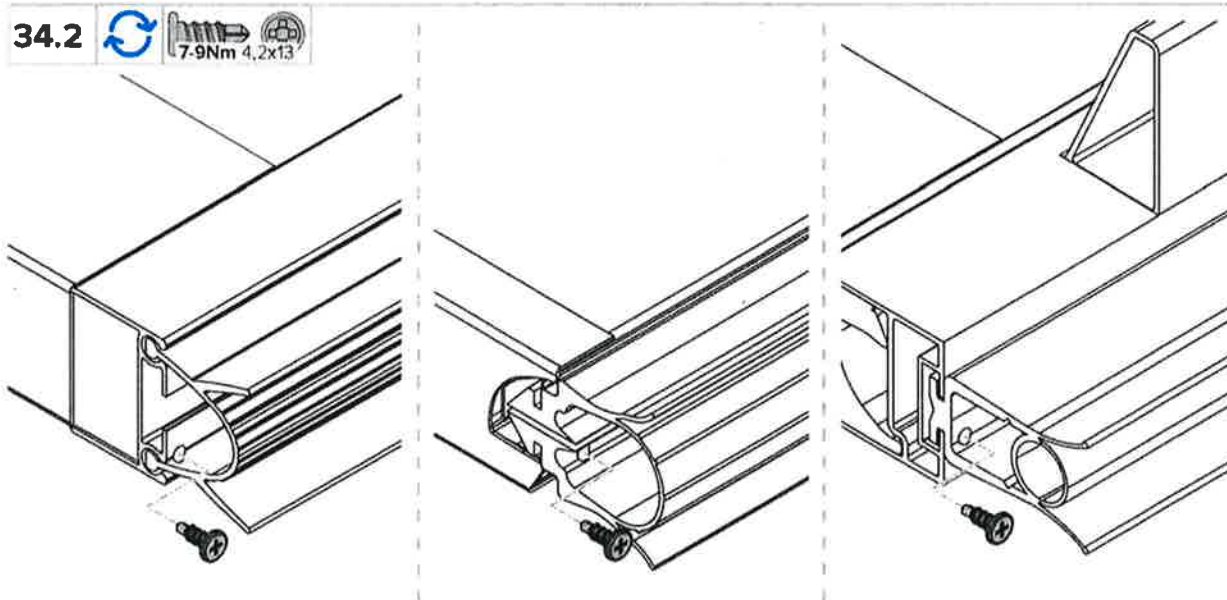


34.1



HLO

34.2



35

v1

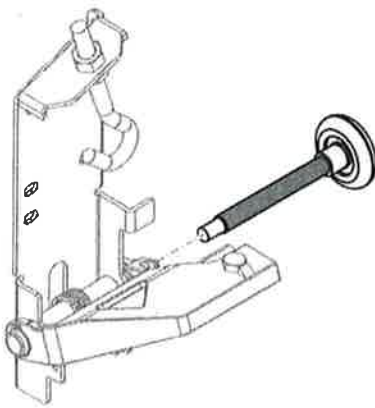
v2
142



35.1

v1

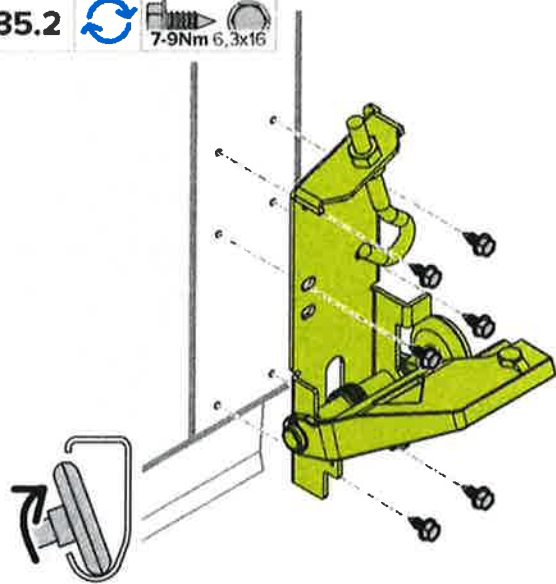
v2
121



35.2

7-9Nm

6,3x16



36



36.1

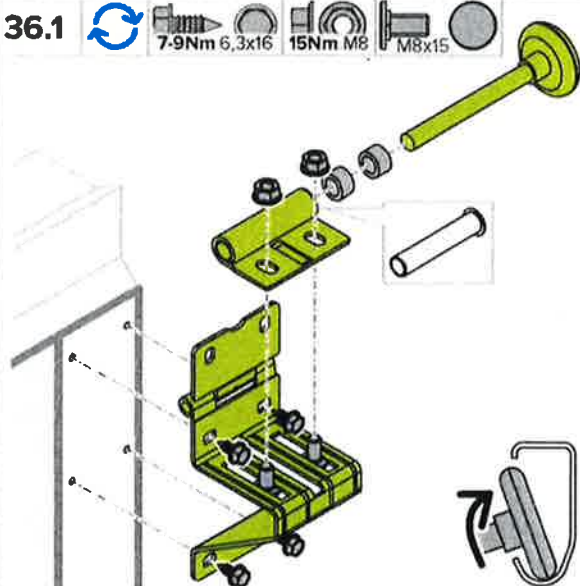
7-9Nm

6,3x16

15Nm

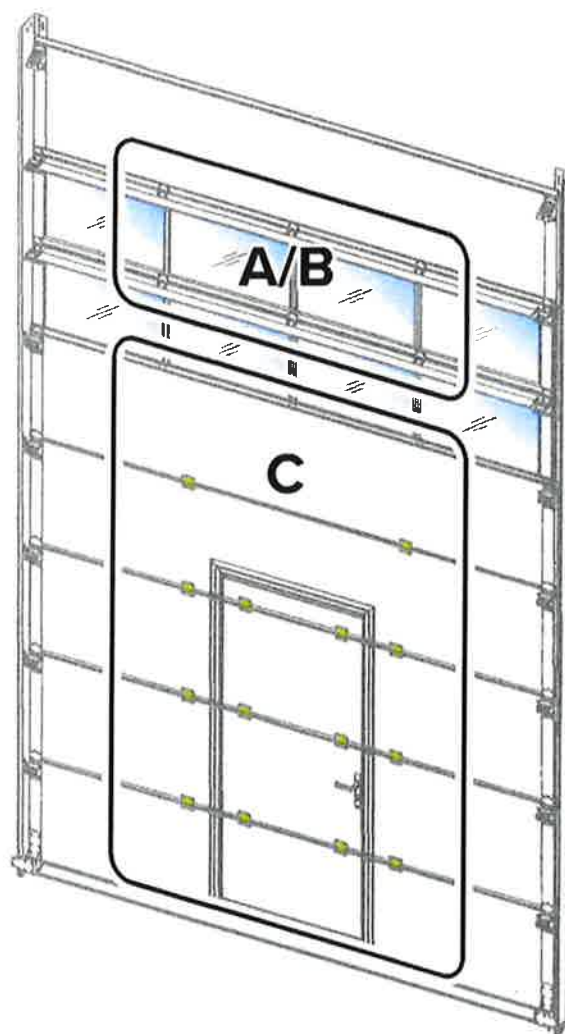
M8

M8x15

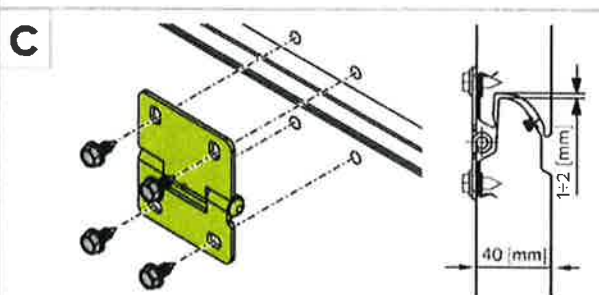
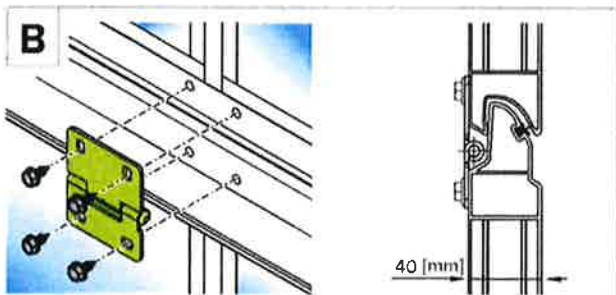
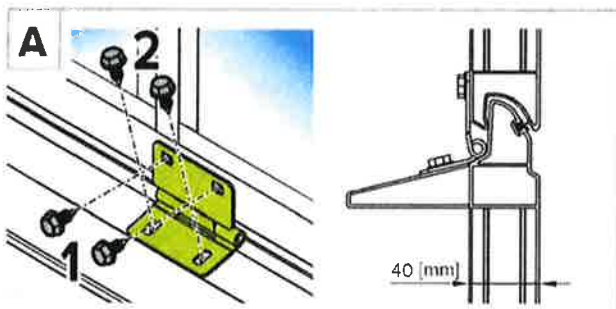


HLO

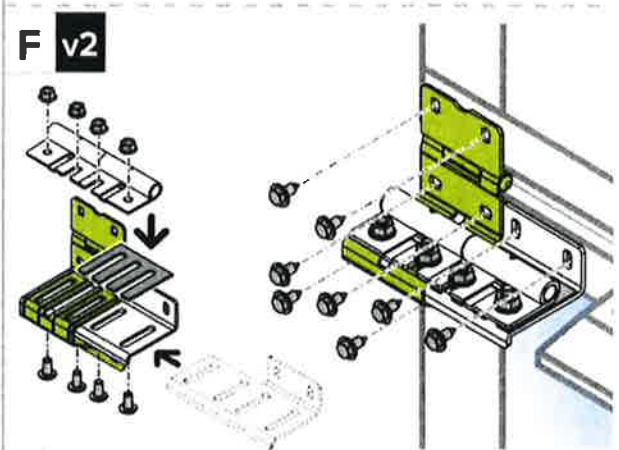
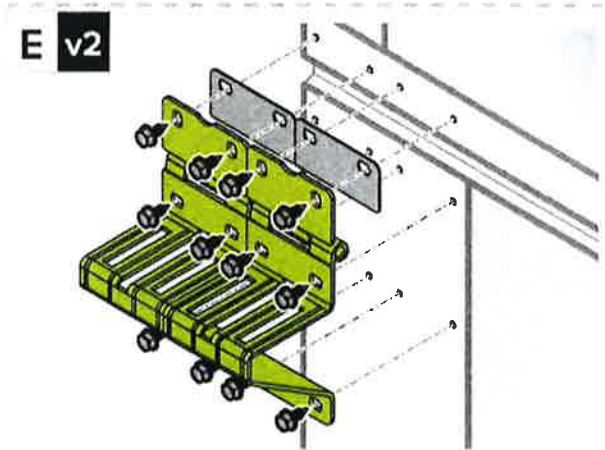
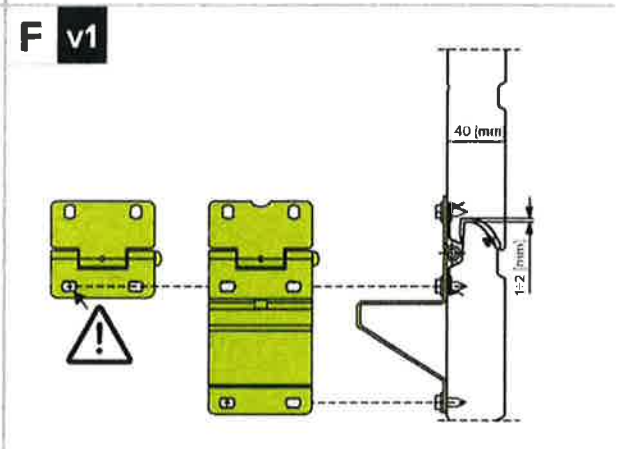
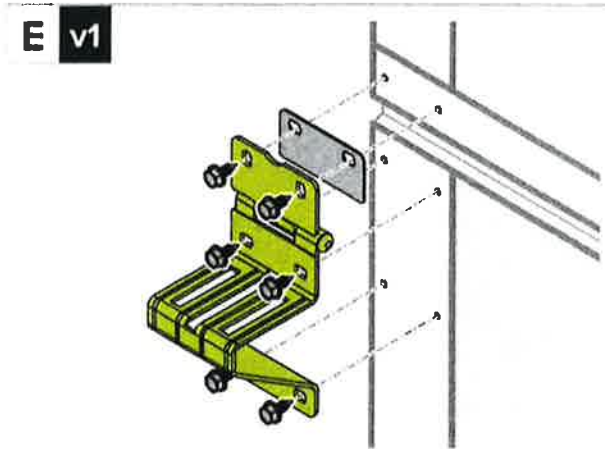
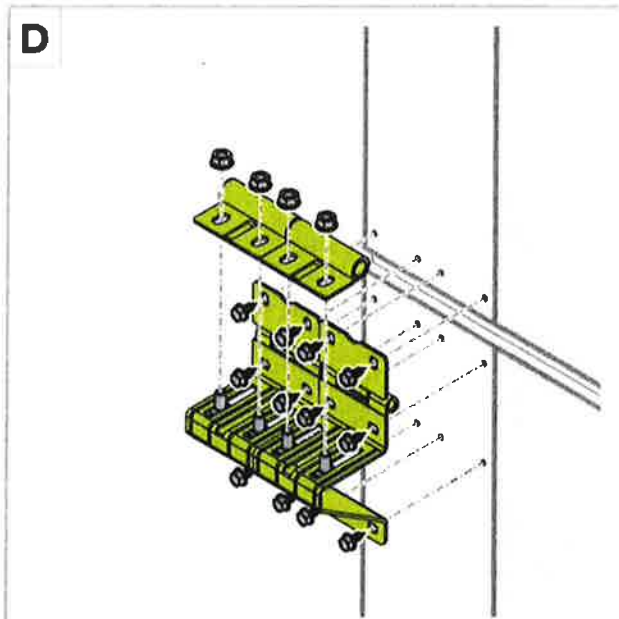
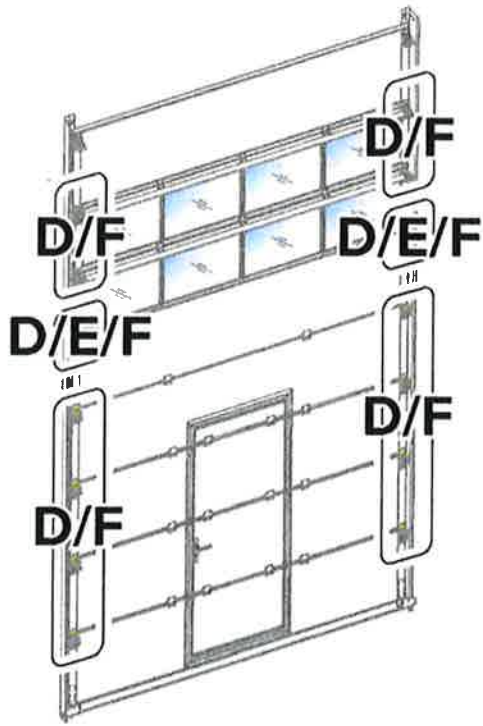
37



HLO

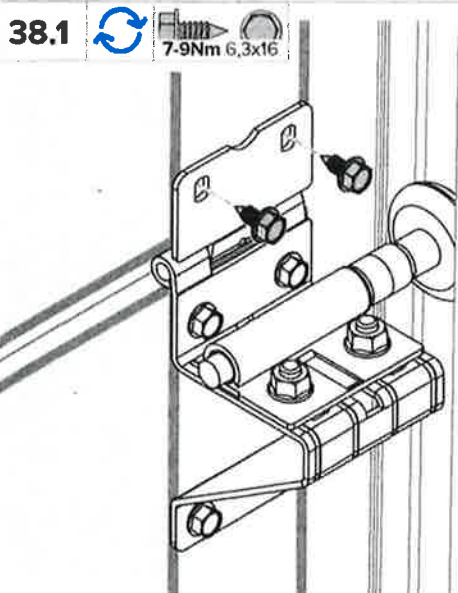
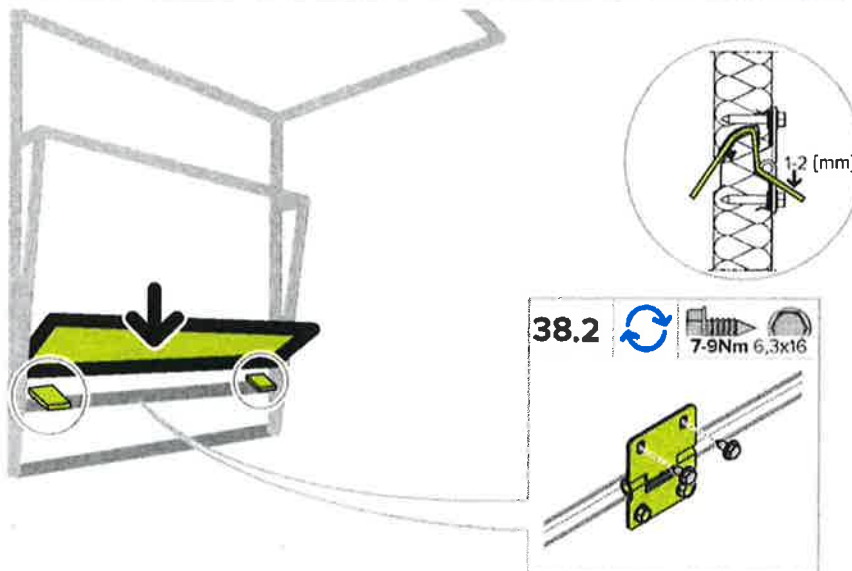


37.1

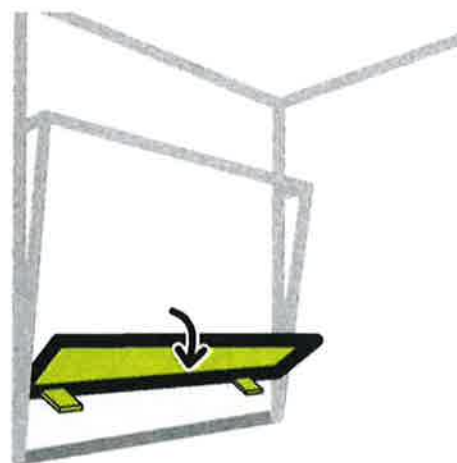


HLO

38



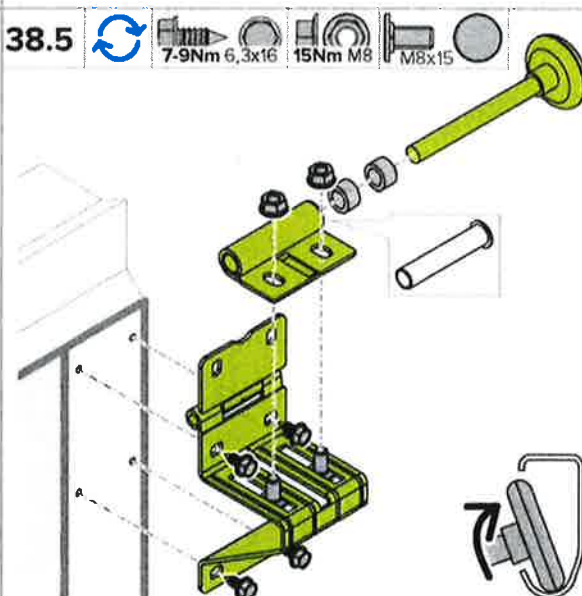
38.3



38.4

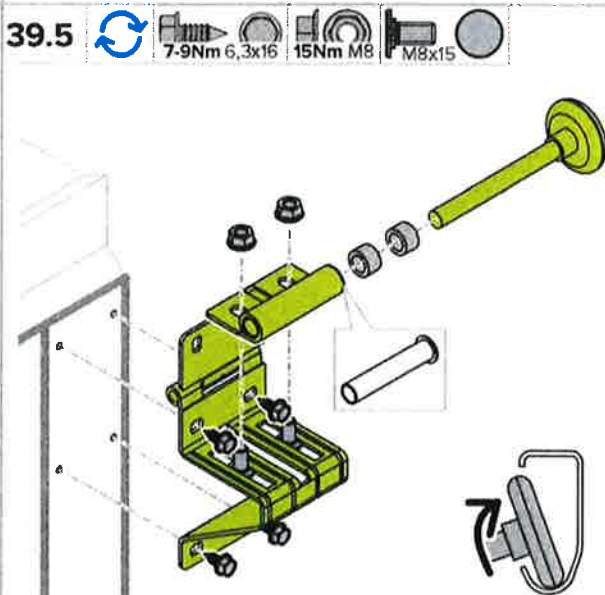
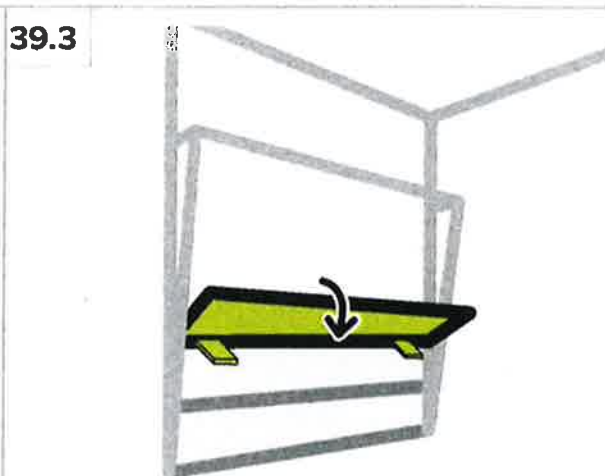
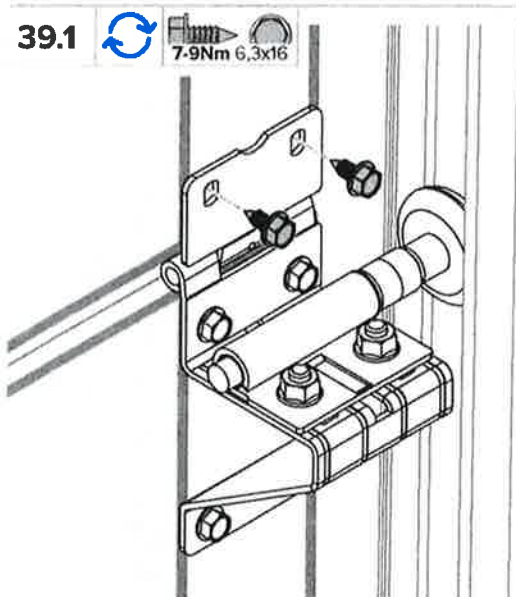
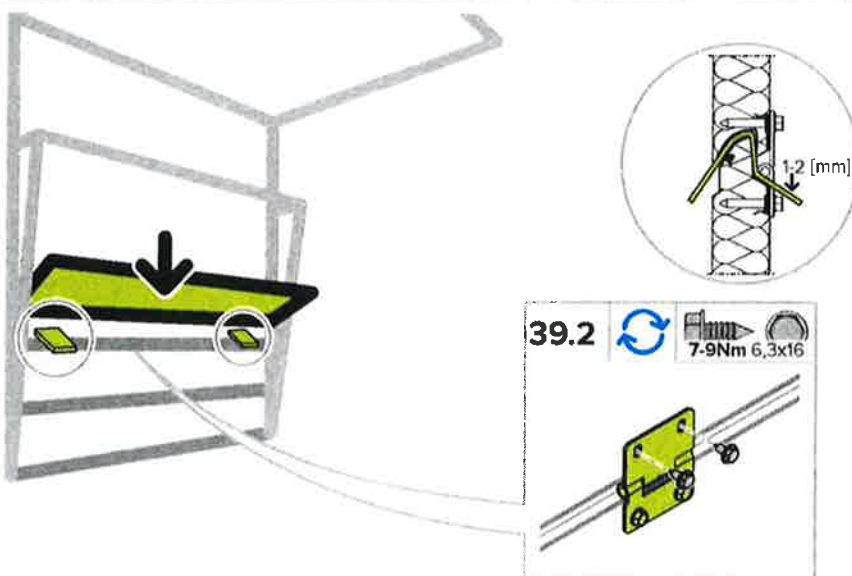


38.5



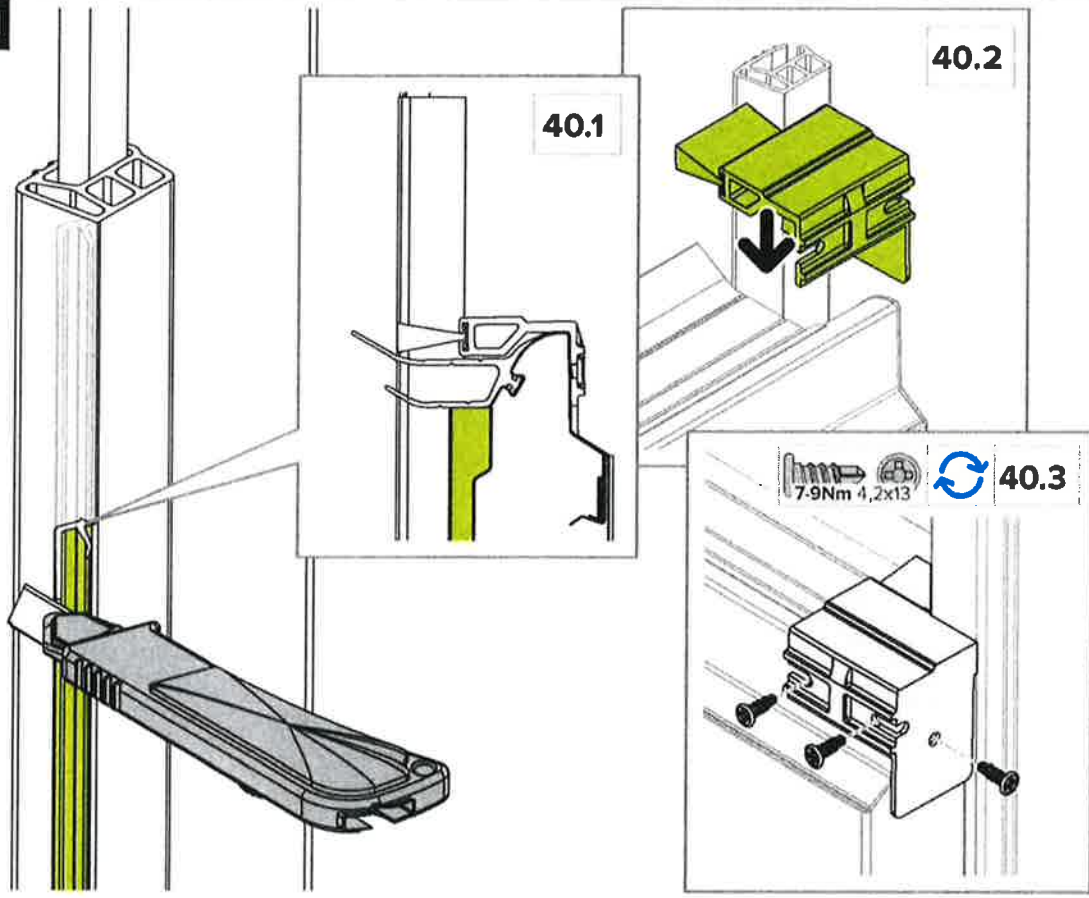
HLO

39

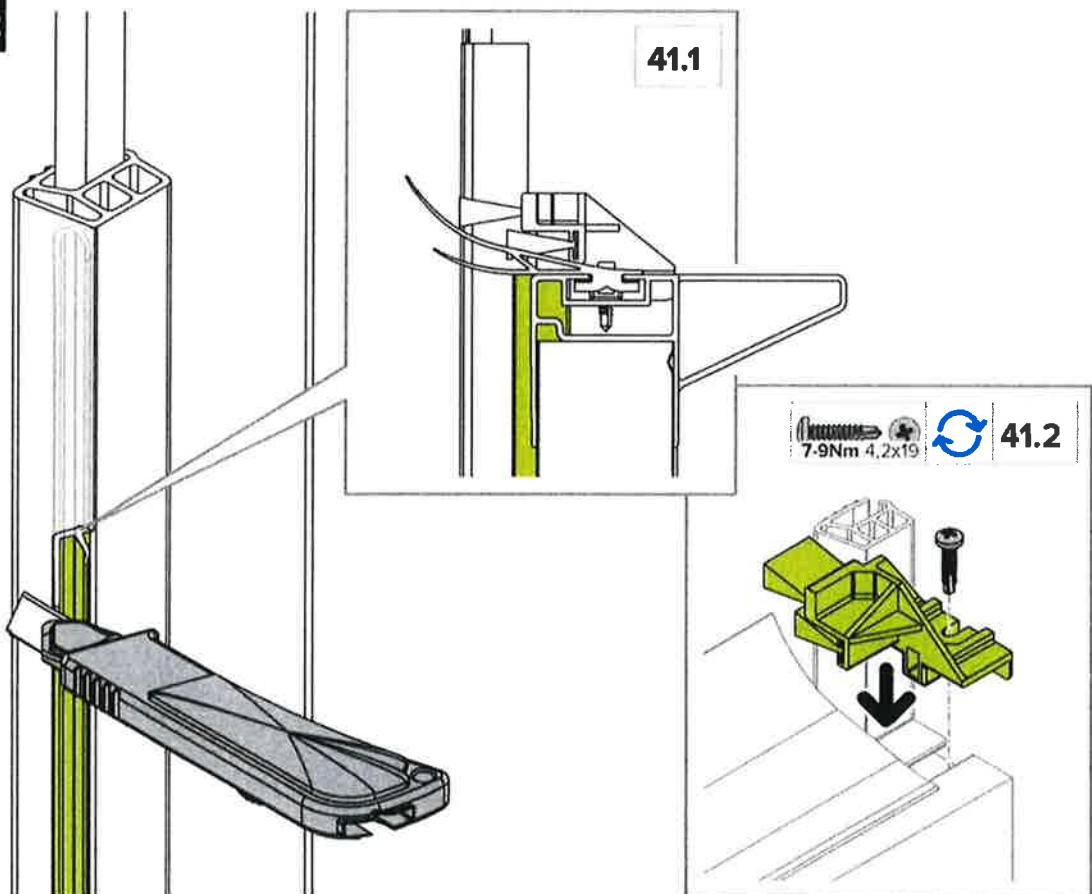


HLO

40 v1

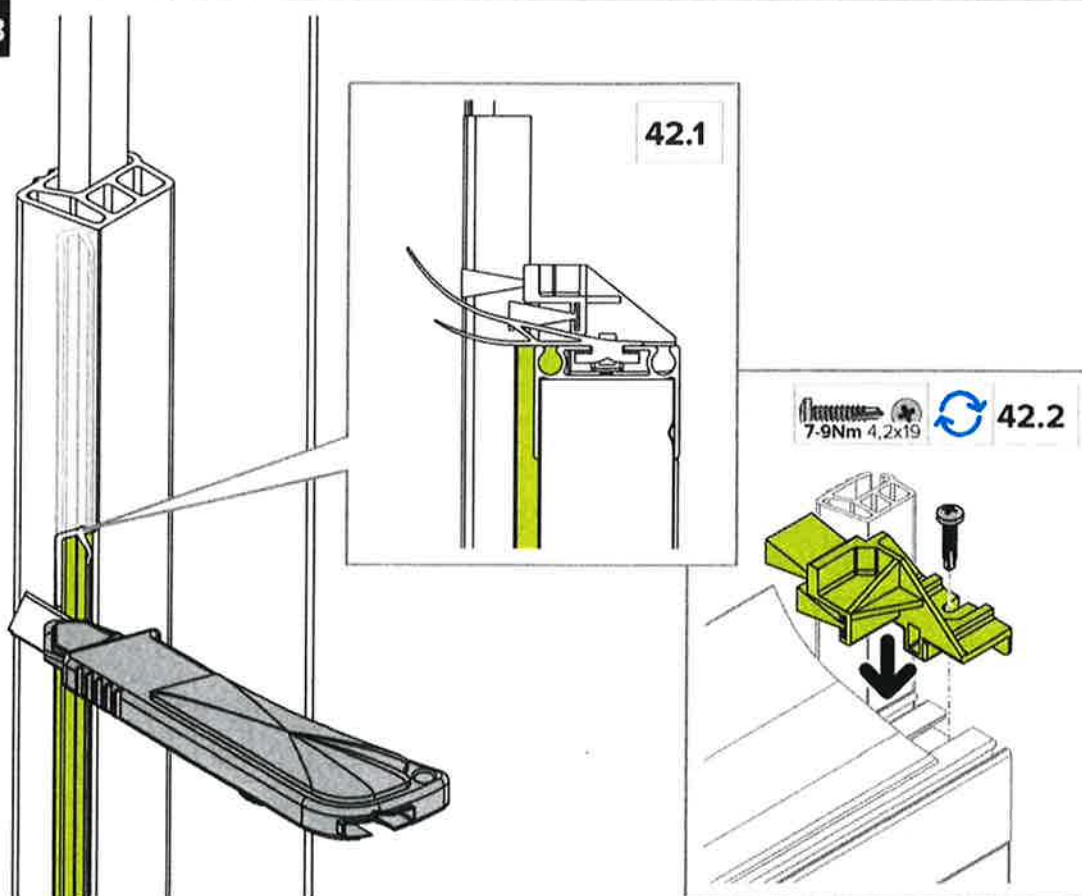


41 v2

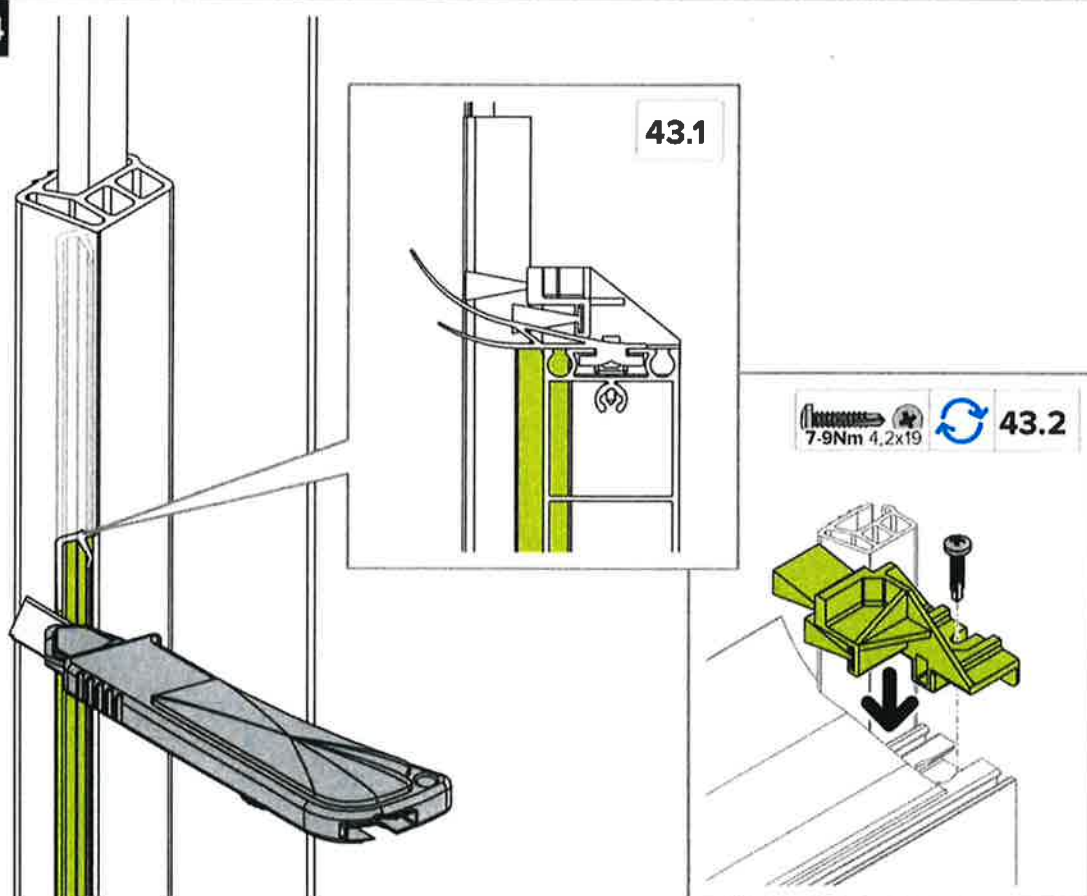


HLO

42 v3

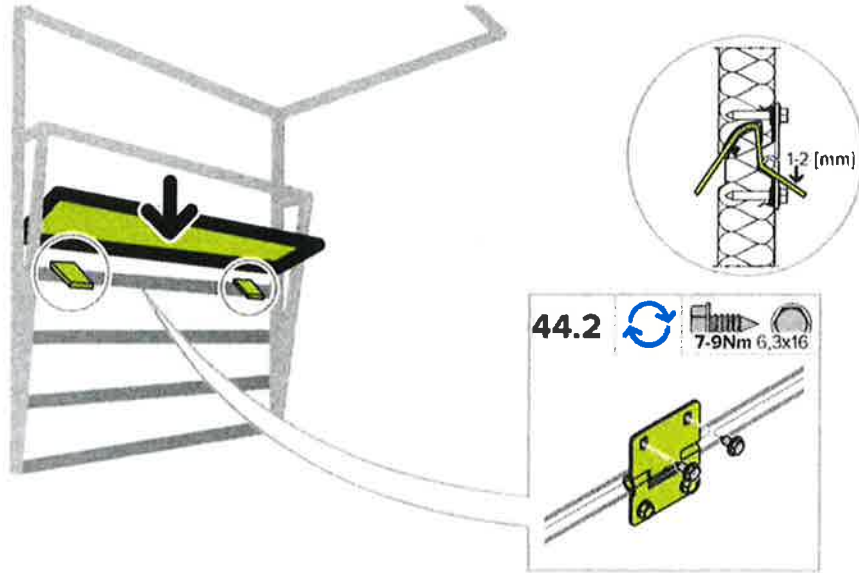


43 v4

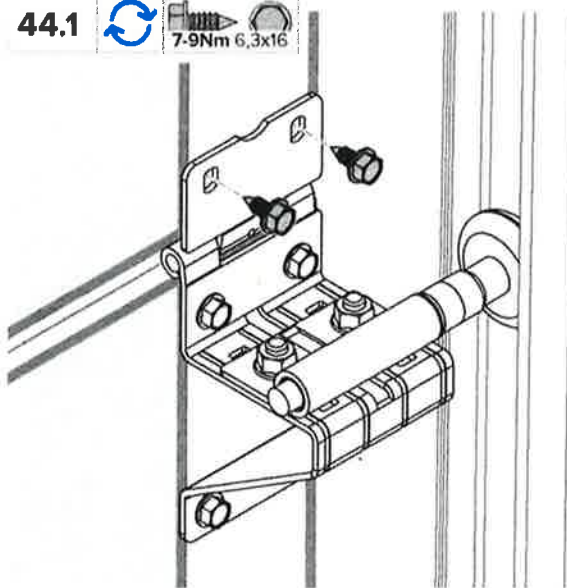


HLO

44



44.1 7-9Nm 6,3x16



44.3



44.4



44.5

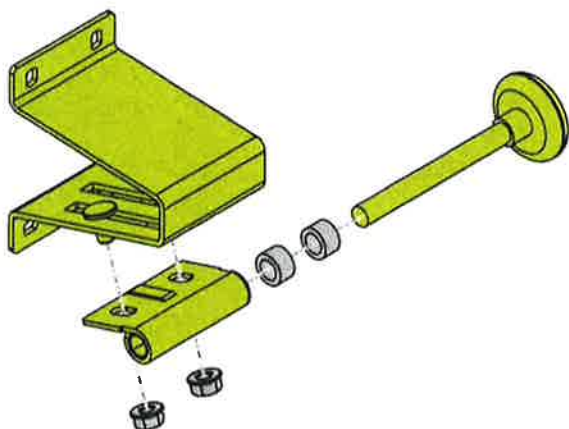


HLO

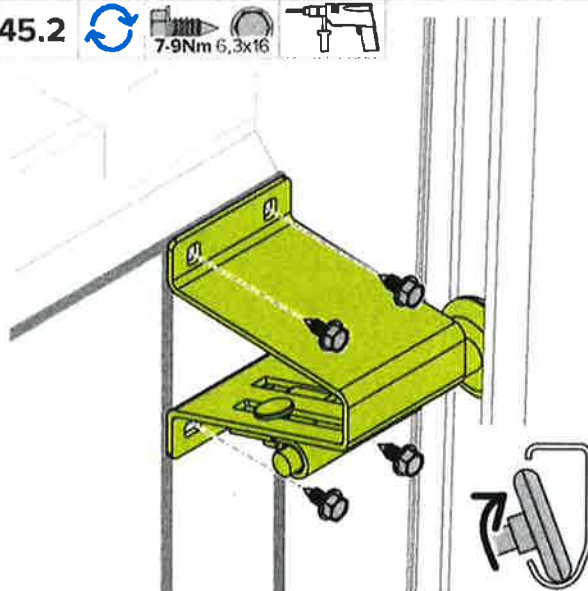
45



45.1



45.2



HLO

46

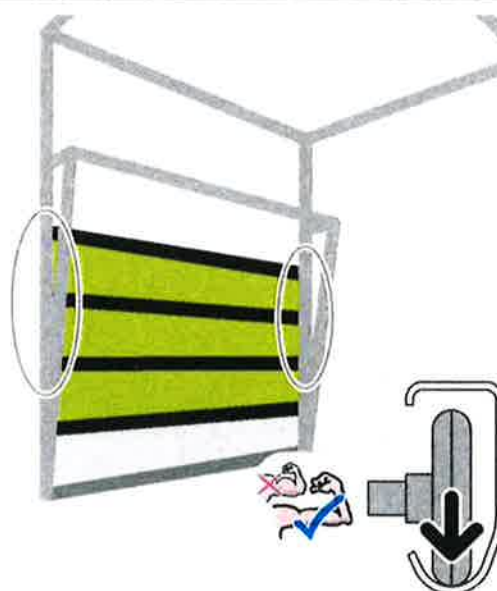
v1

v2

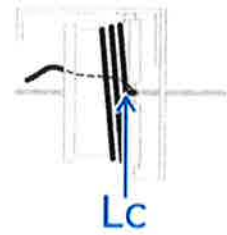
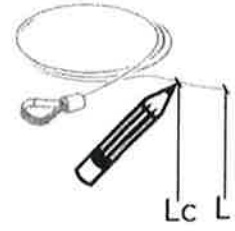
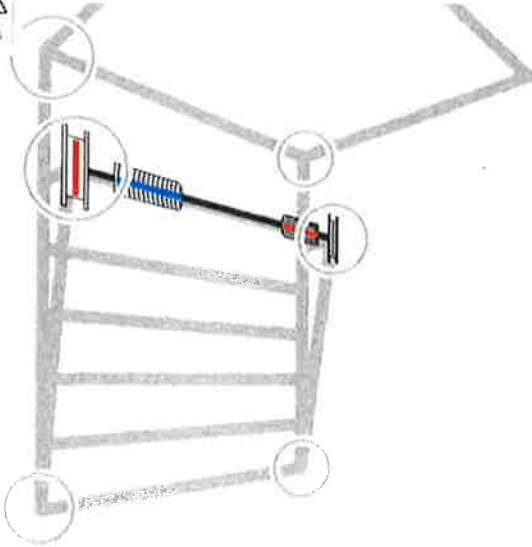
145



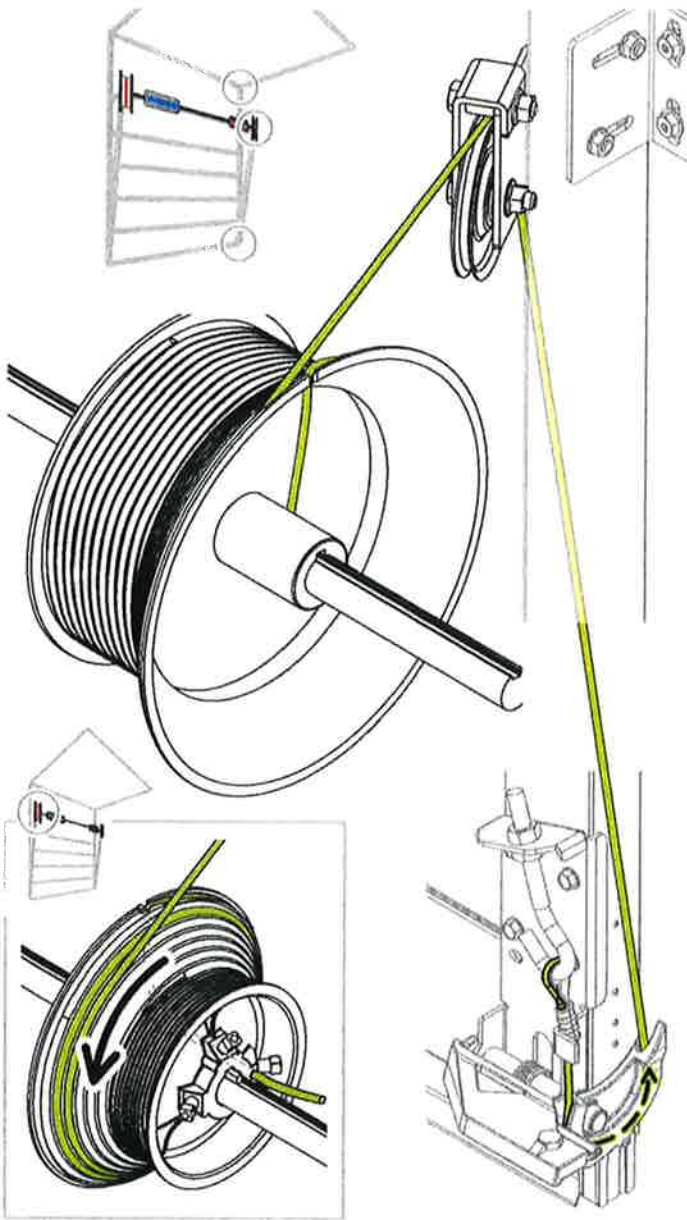
46.1



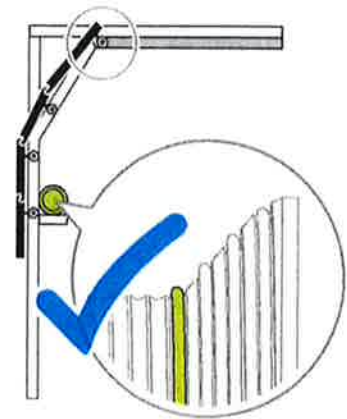
47



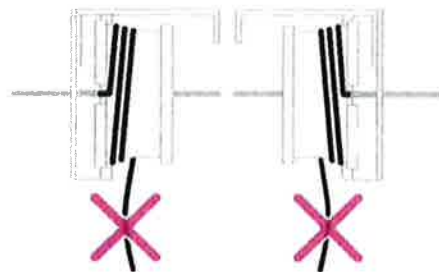
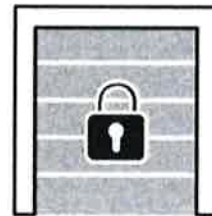
HLO



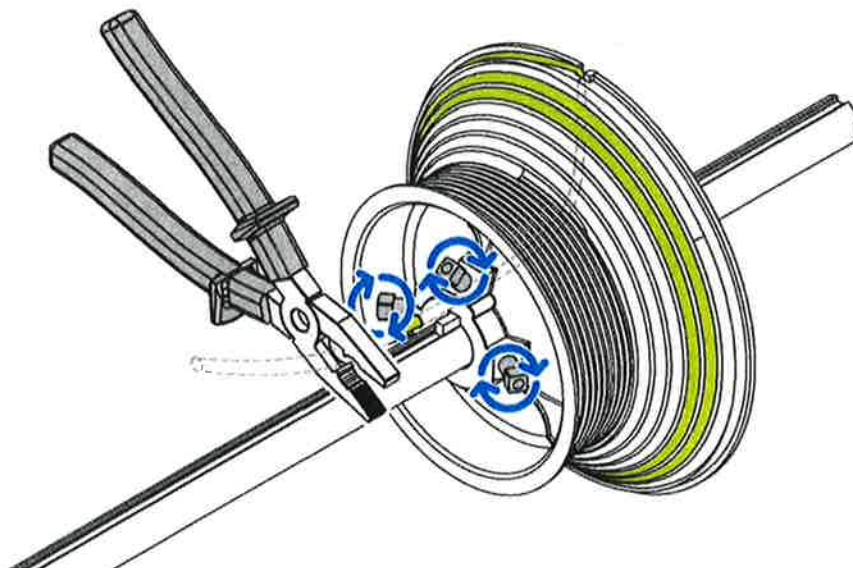
47.1



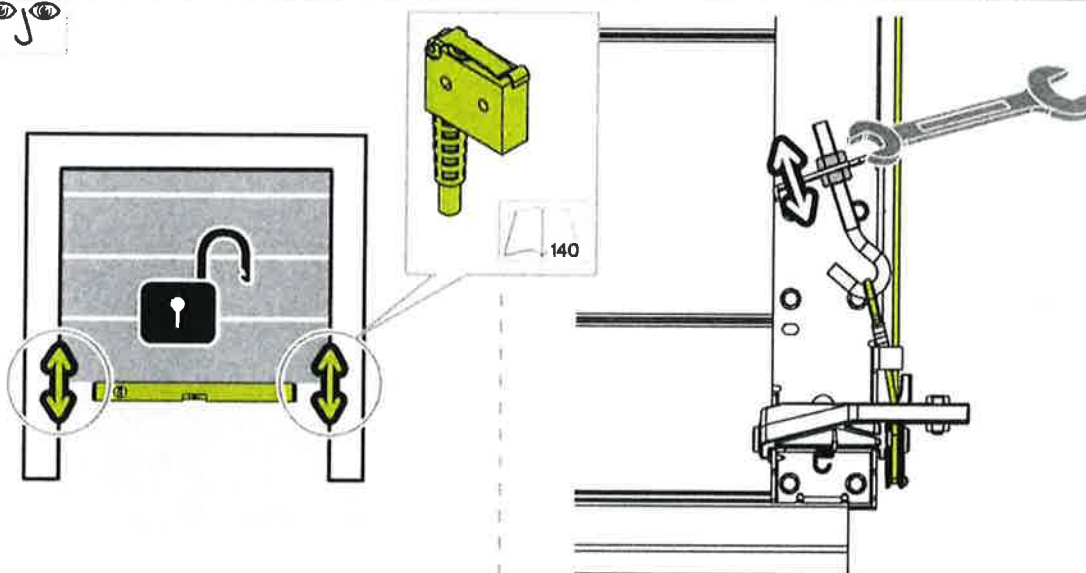
47.2



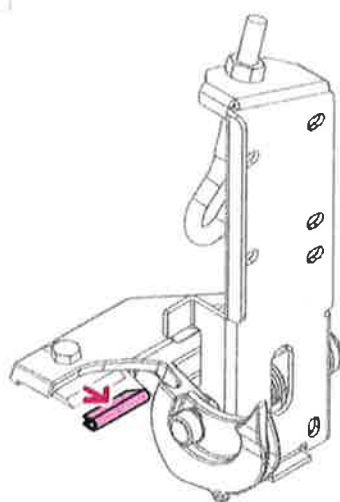
48



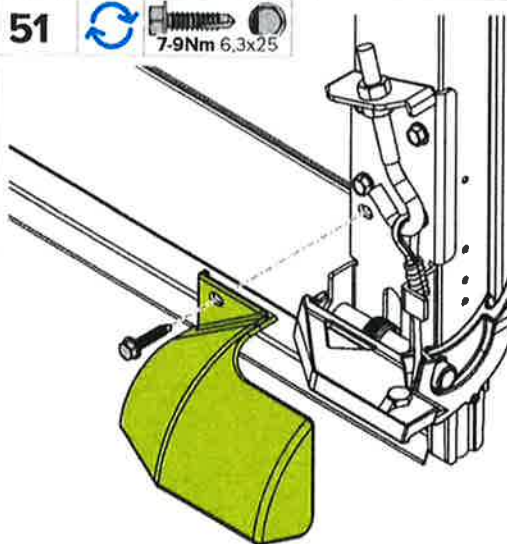
49



50

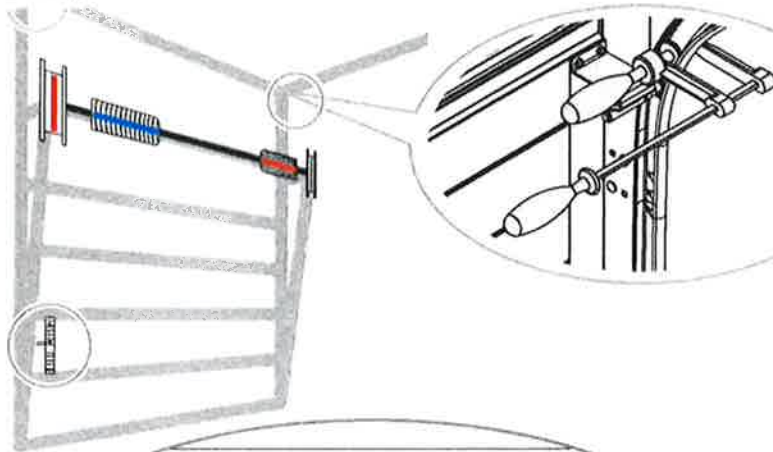


51



HLO

52



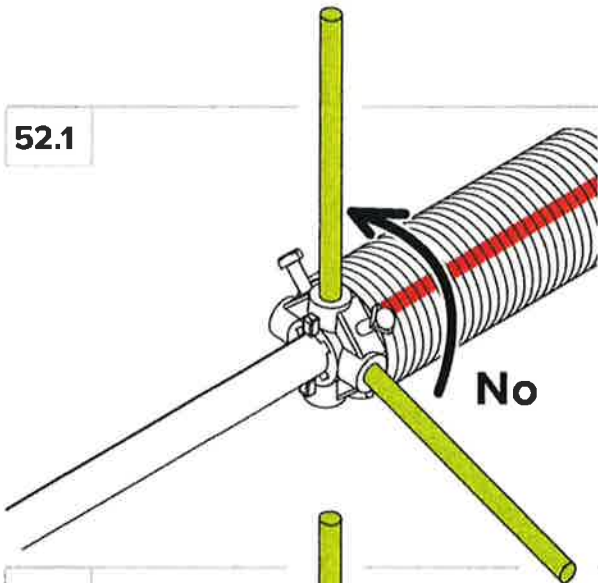
Ilość obrotów sprężyny **No**
 No. of spring turns **No**

WIŚNIOWSKI	
Sp. z o.o. S.K.A. ul. 13-311 Wiskofowy 153 47-630 Wiśniowice	
Rok produkcji: Year of production	
Dokument administracyjny Reference document	
Numer seryjny: Serial number:	
CE	

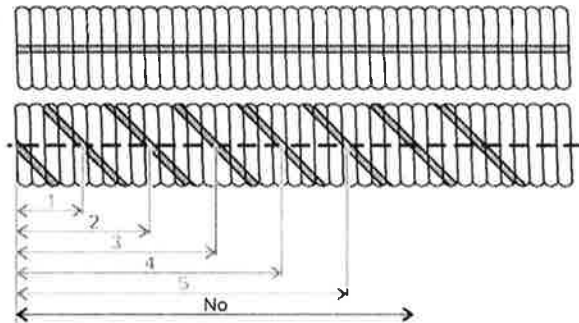
Typ	
Typu	
Wskazanie: (Mm)	
Wskazanie: (Inch)	
Odpowiedź na skargę klienta Reference to web host (Inch)	
Clearance: (Mm)	
Typ odmienny (Mm)	
Przebiegłość (mm)	
Asymetria: (Inch)	
Ilość obrotów sprężyny No. of spring turns	

HLO

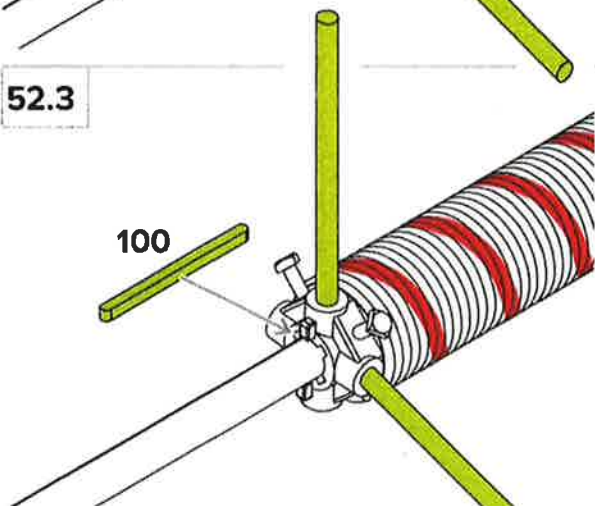
52.1



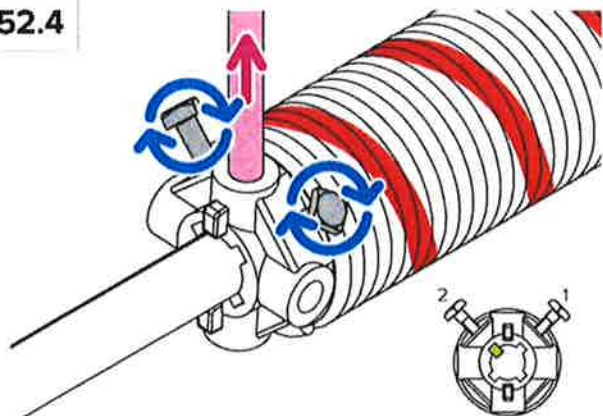
52.2



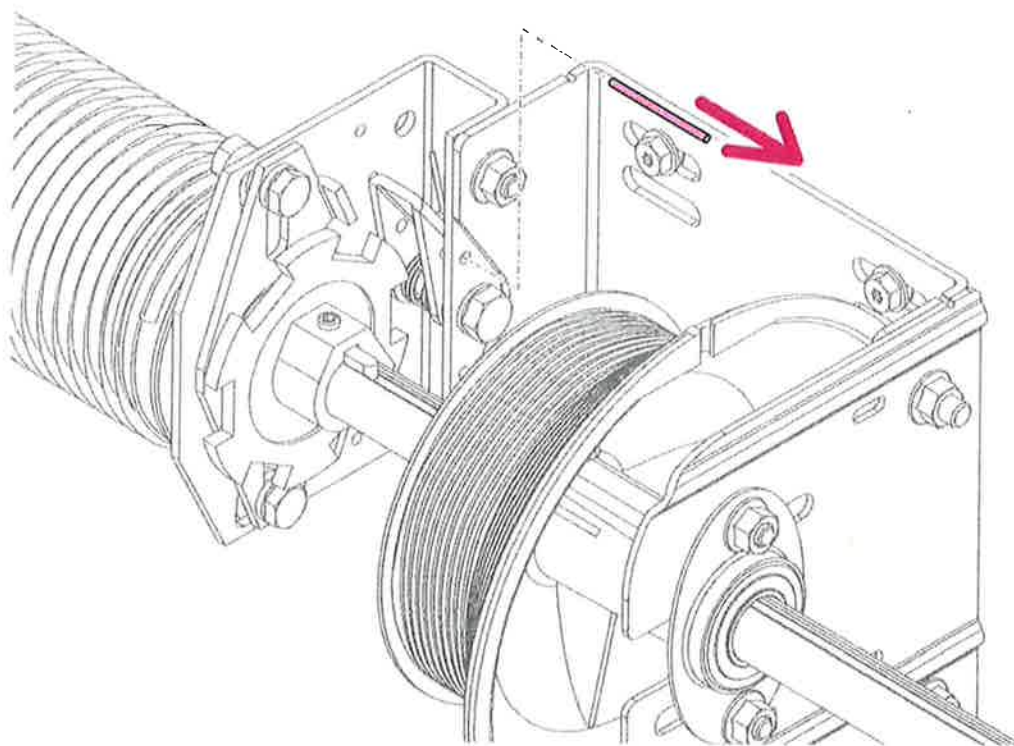
52.3



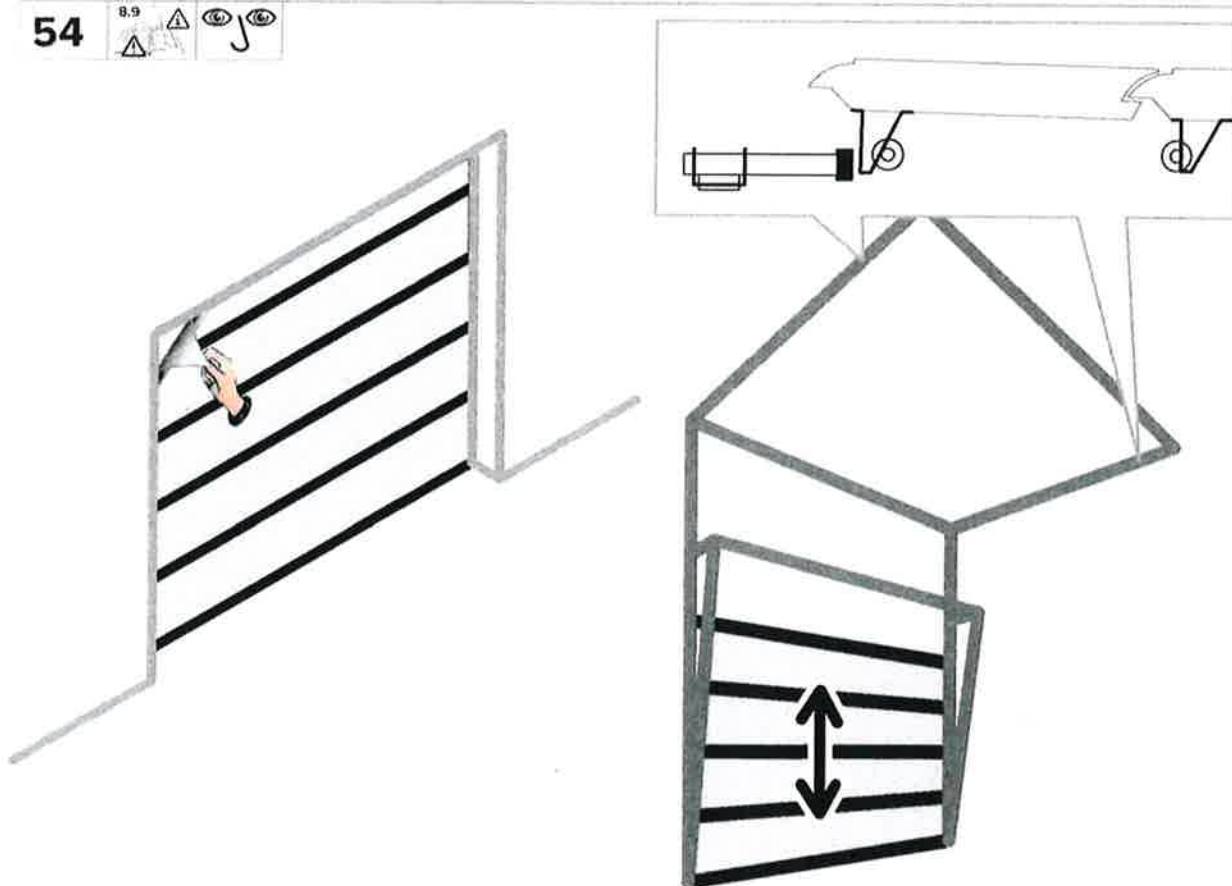
52.4



53

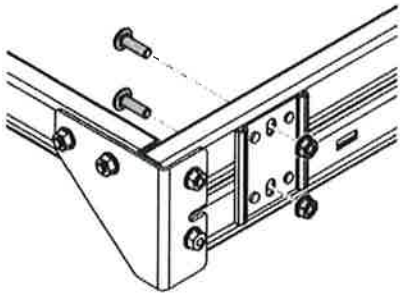


54

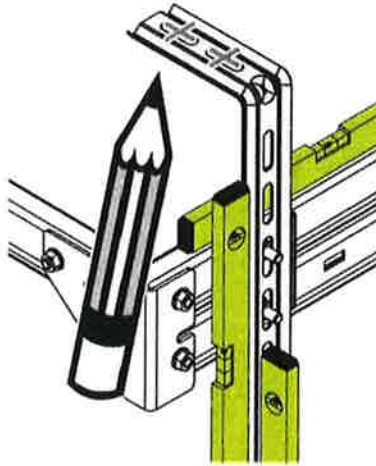


H10

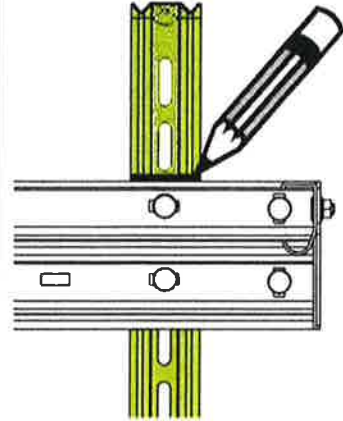
1 **v2**   15Nm M8  M8x25



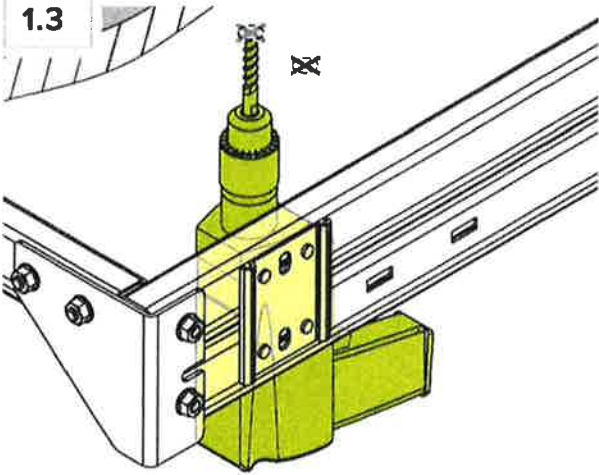
1.1



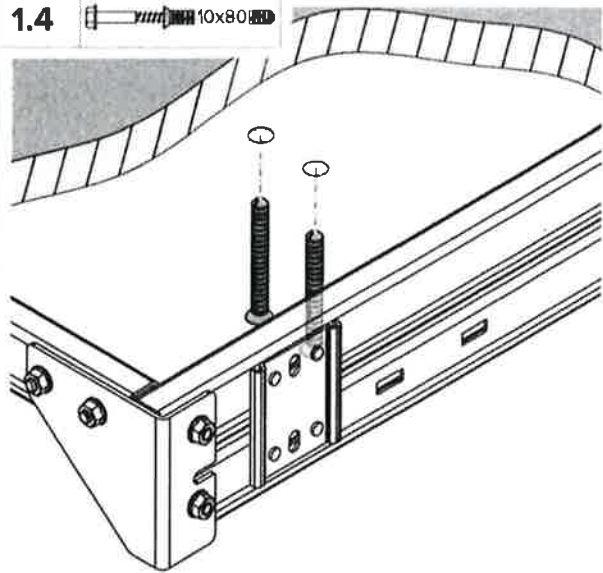
1.2



1.3

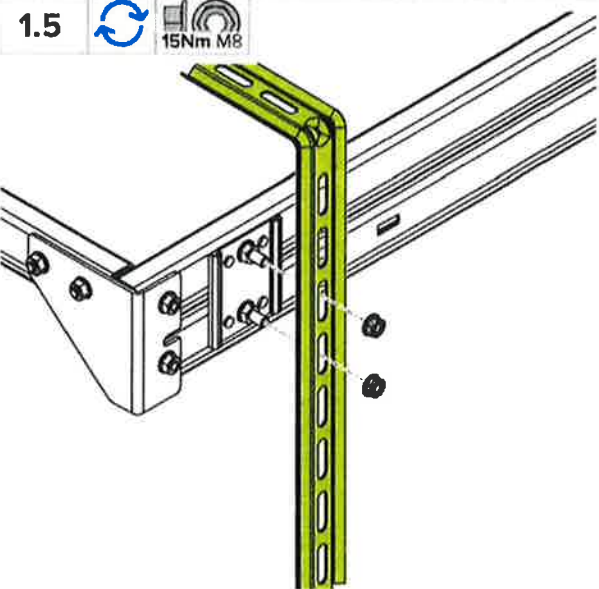


1.4


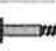


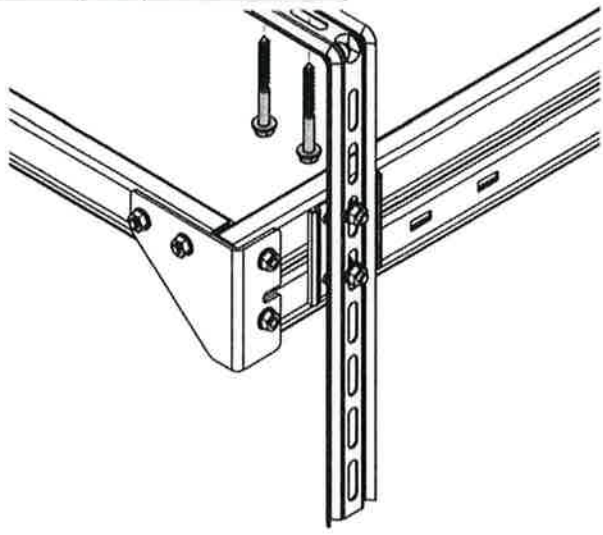
1.5

  15Nm M8

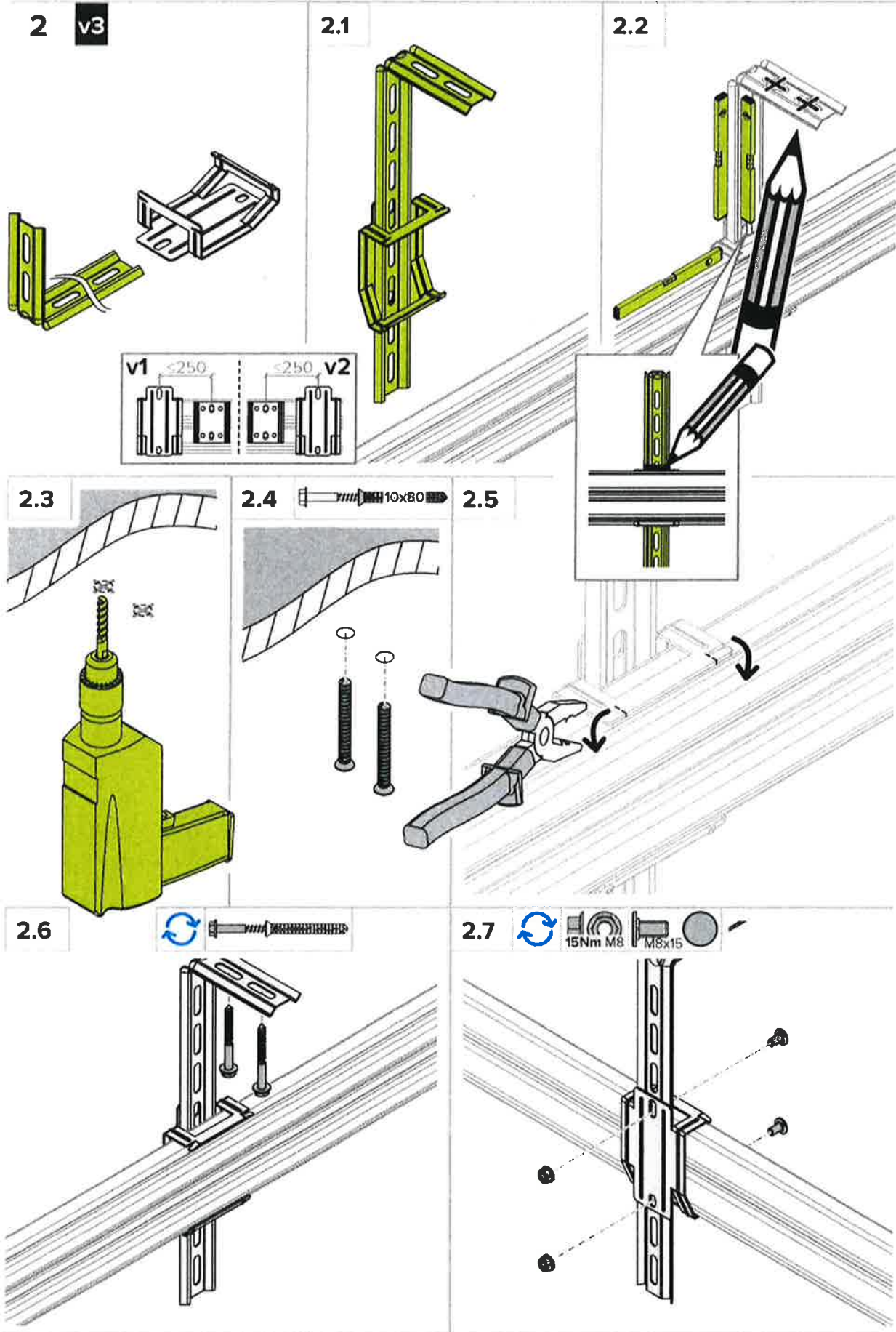


1.6

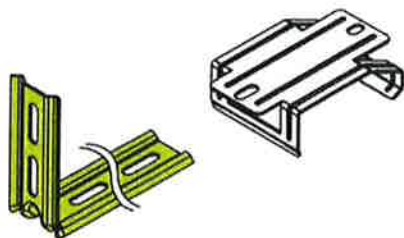
 



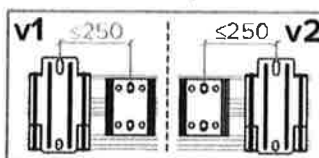
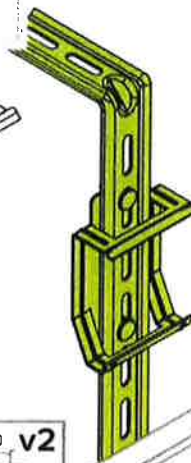
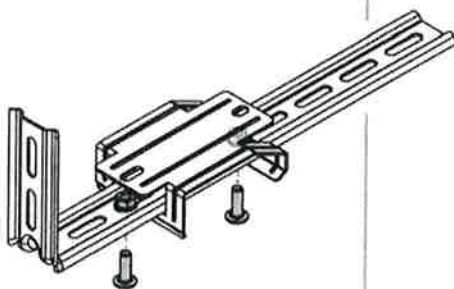
OPTION



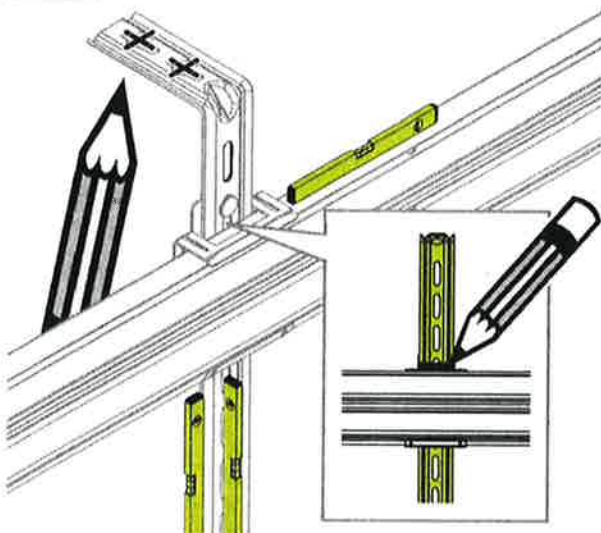
3 v4



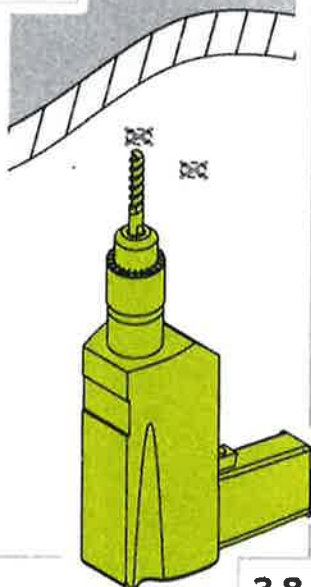
3.1 15Nm M8 M8x25 3.2



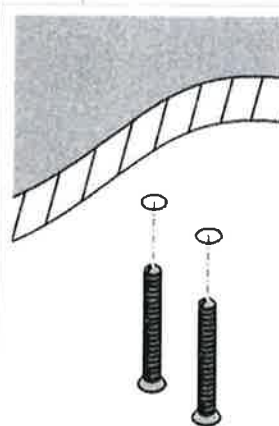
3.3



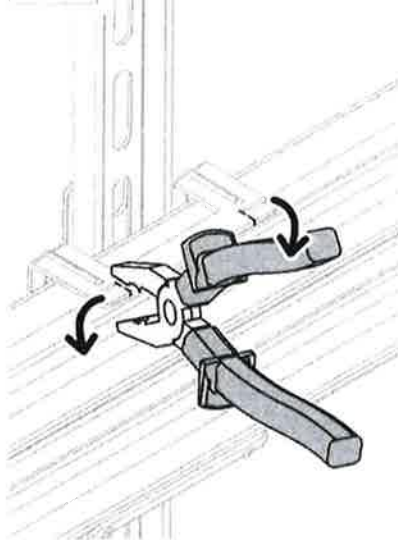
3.4



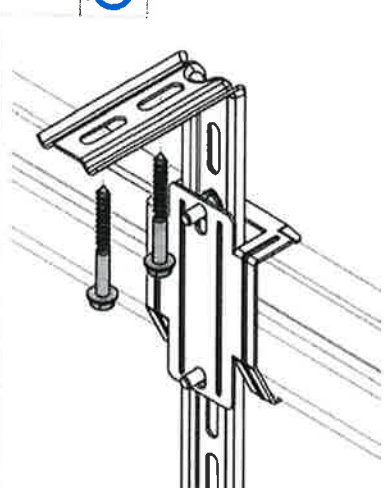
3.5



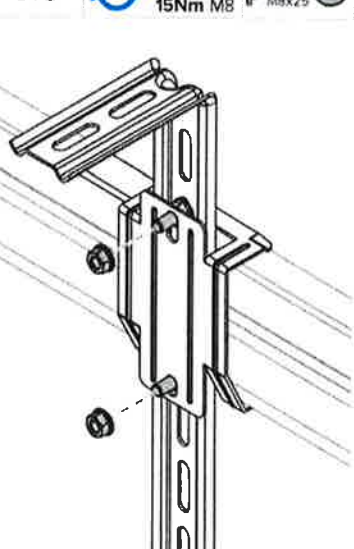
3.6



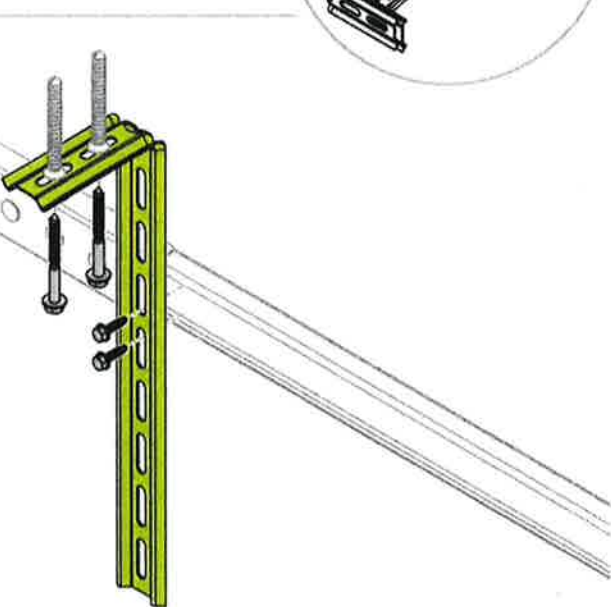
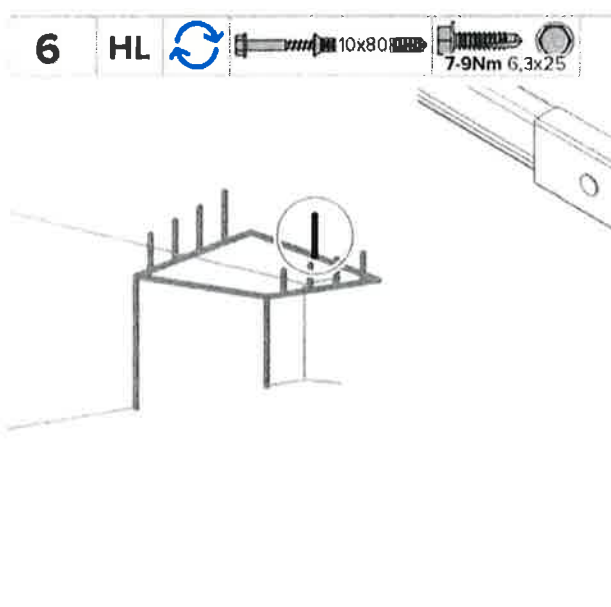
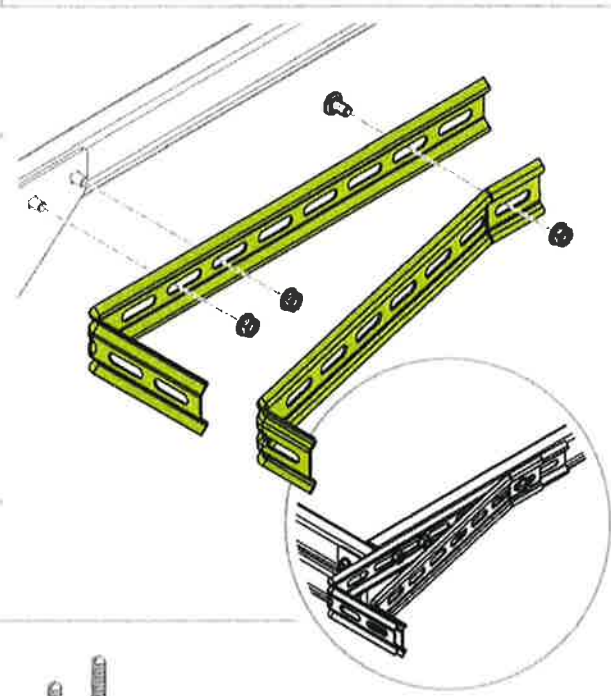
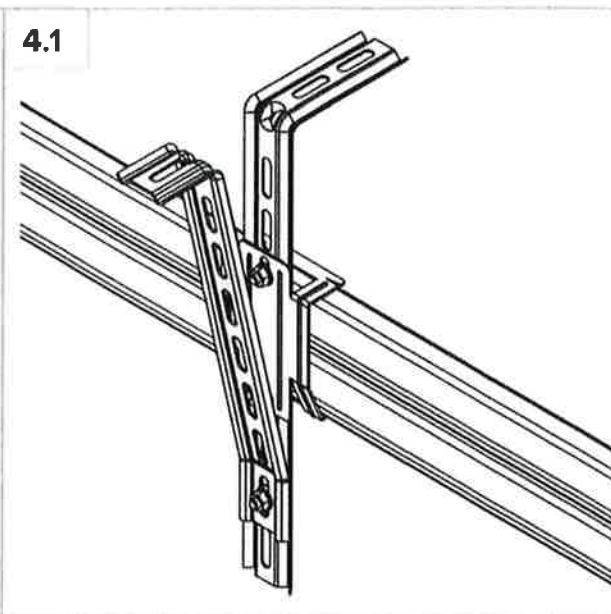
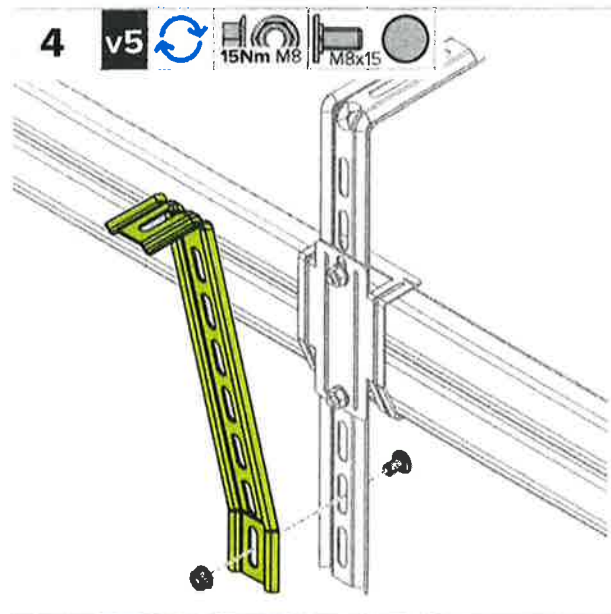
3.7



3.8

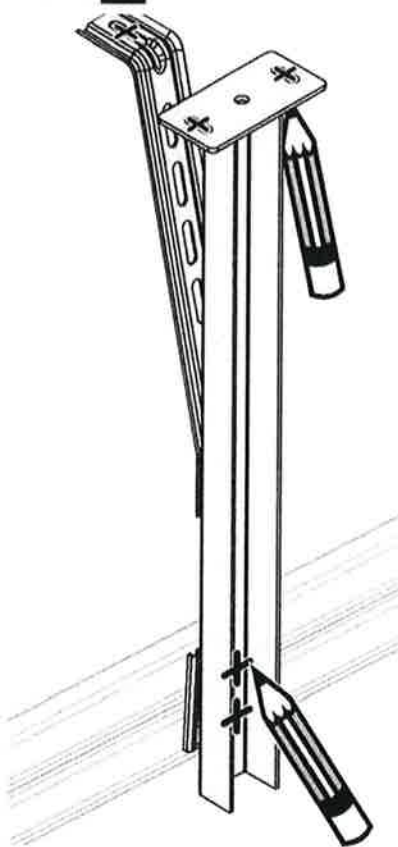


OPTION

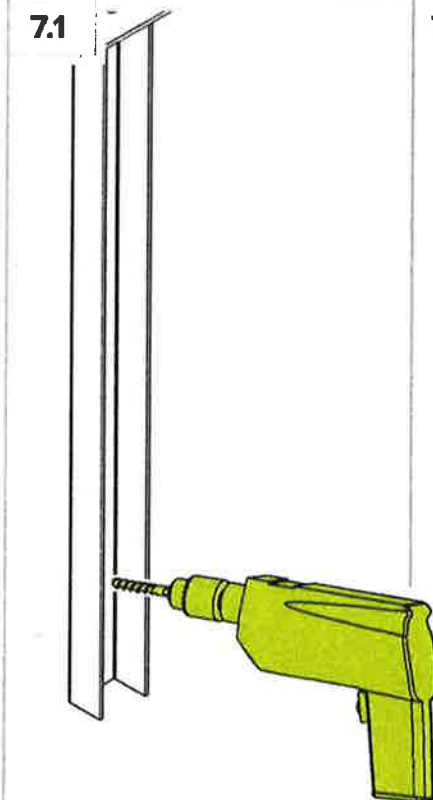


OPTION

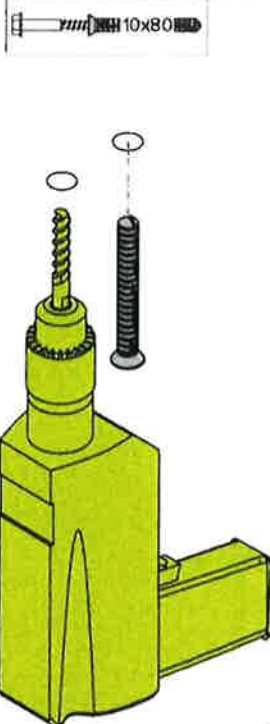
7 v7



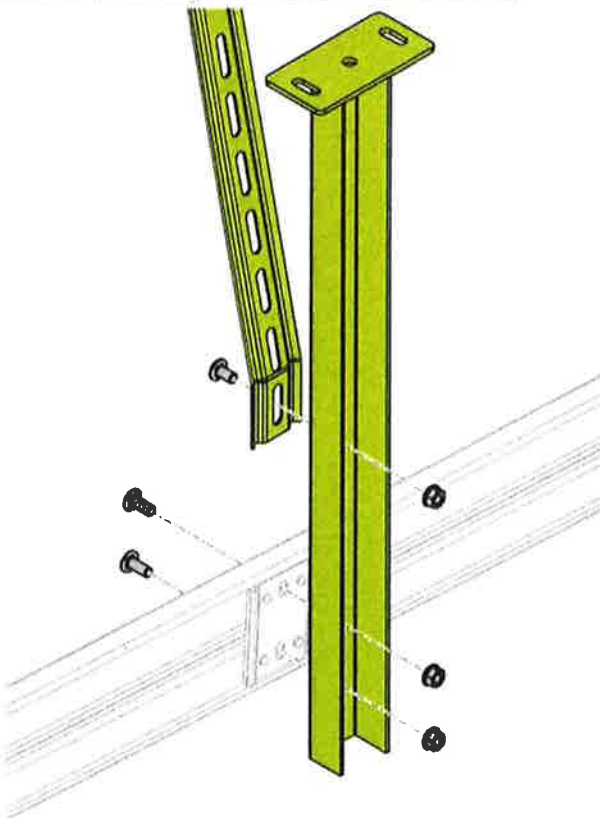
7.1



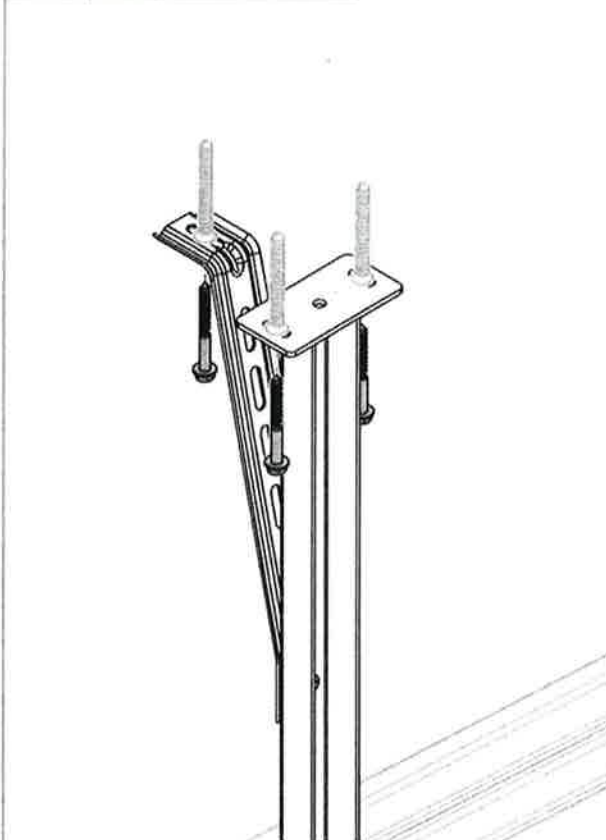
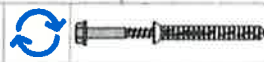
7.2



7.3



7.4



OPTION

8

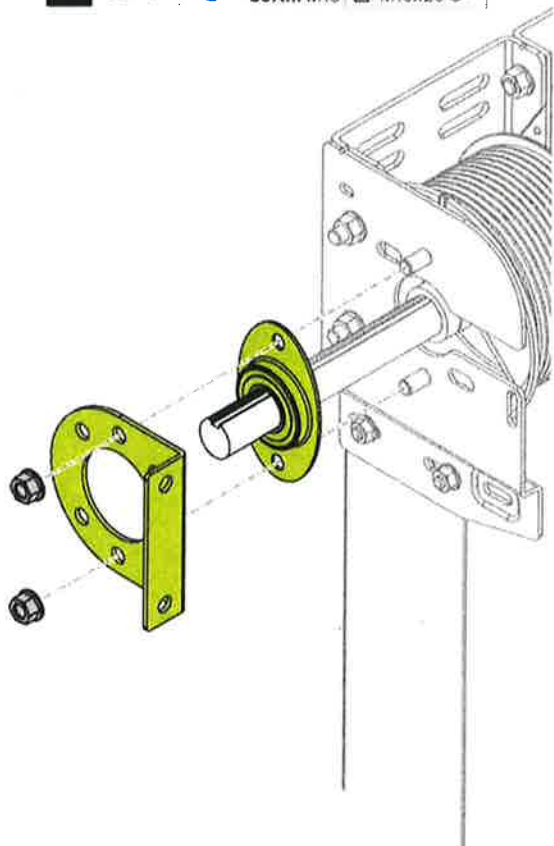
v2



30Nm M10



M10x20



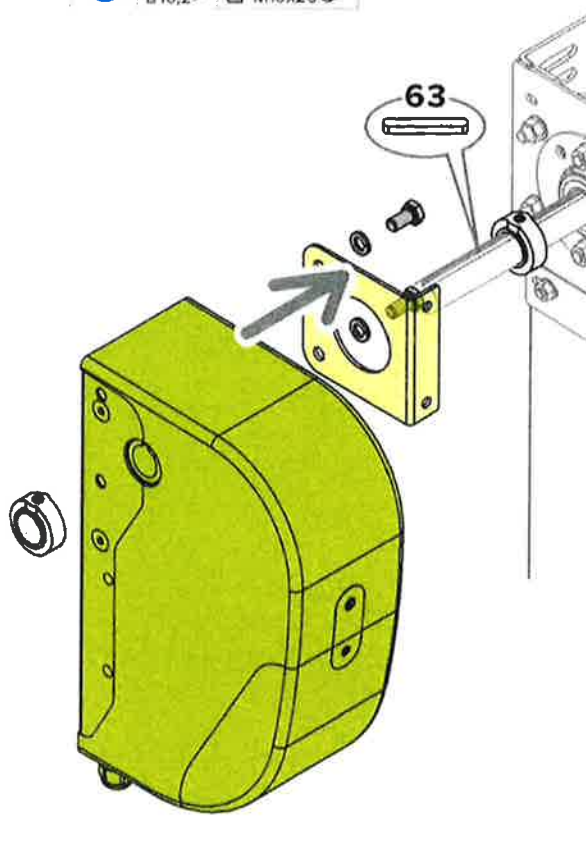
8.1



10,2



M10x20



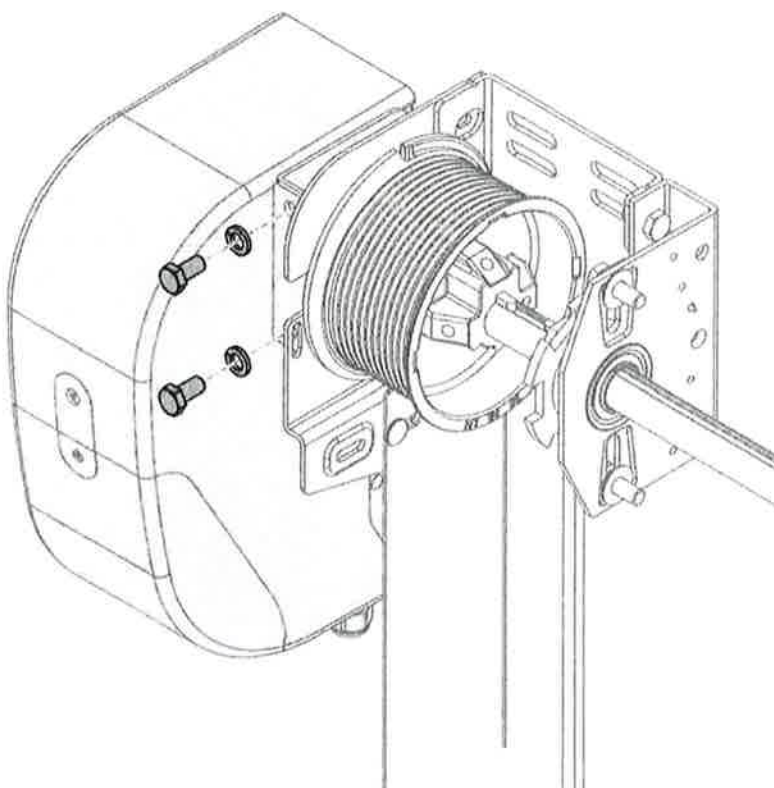
8.2



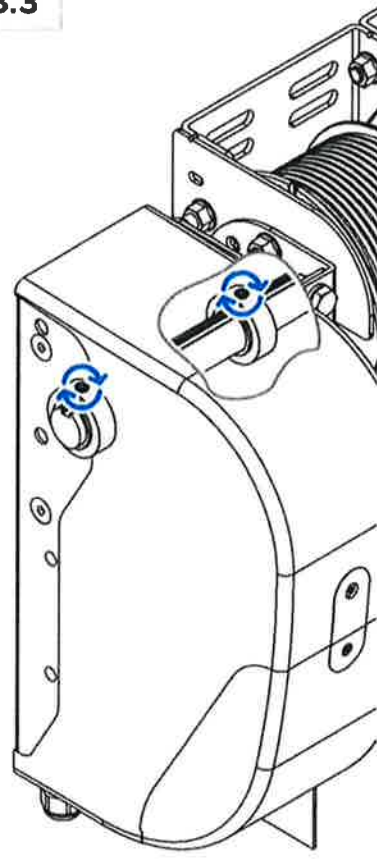
10,2



M10x20



8.3



OPTION

9

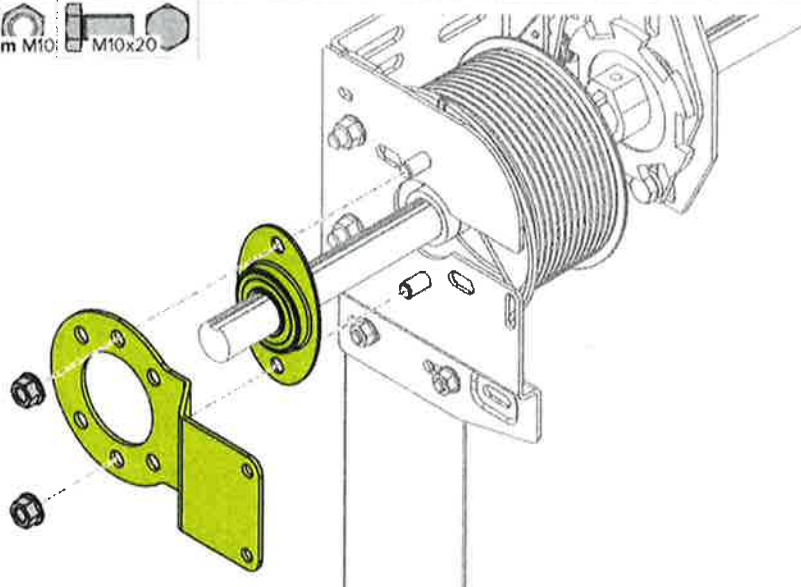
v3



30Nm M10



M10x20



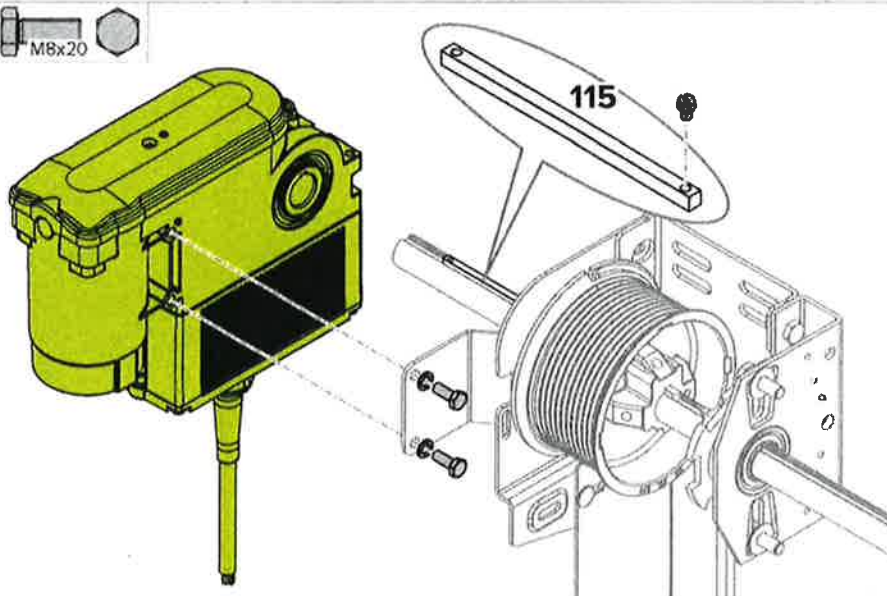
9.1



8.2

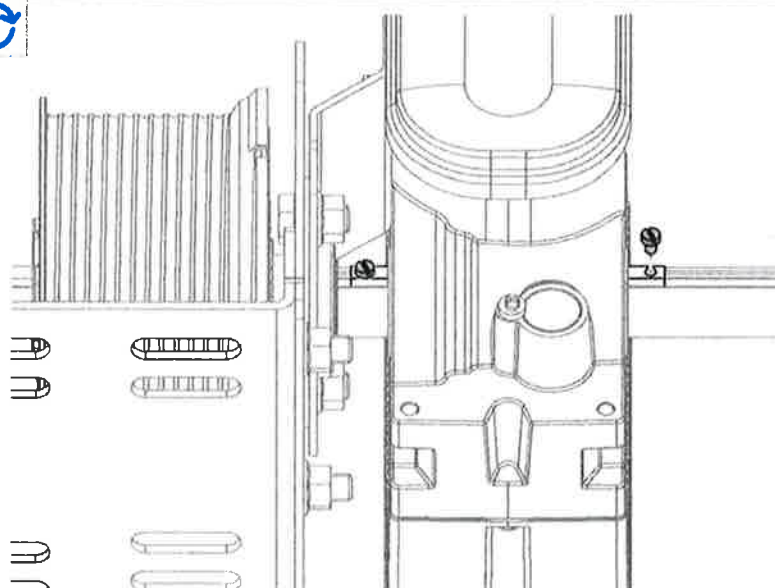


M8x20



OPTION

9.2



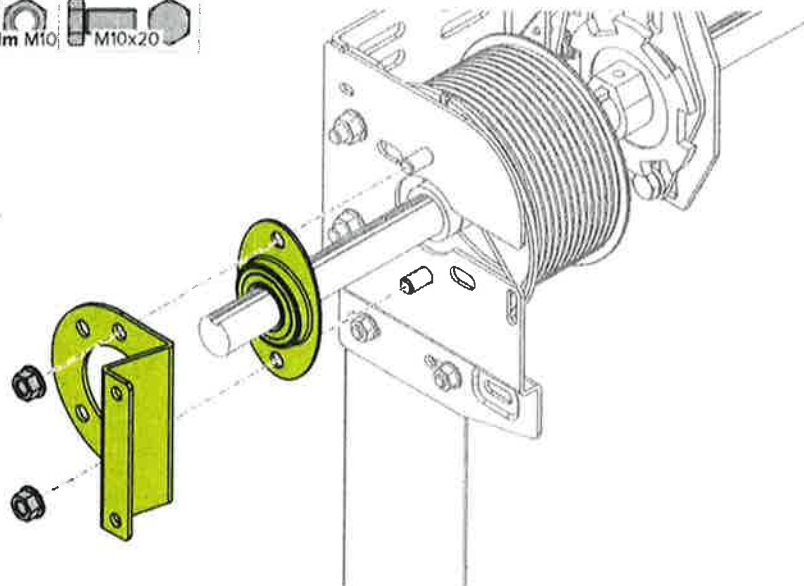
10

v4



30Nm M10

M10x20



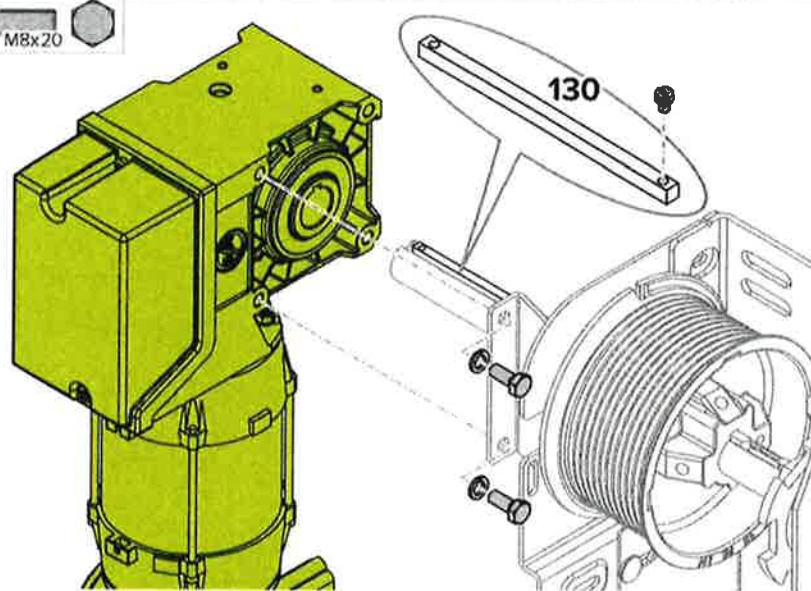
10.1



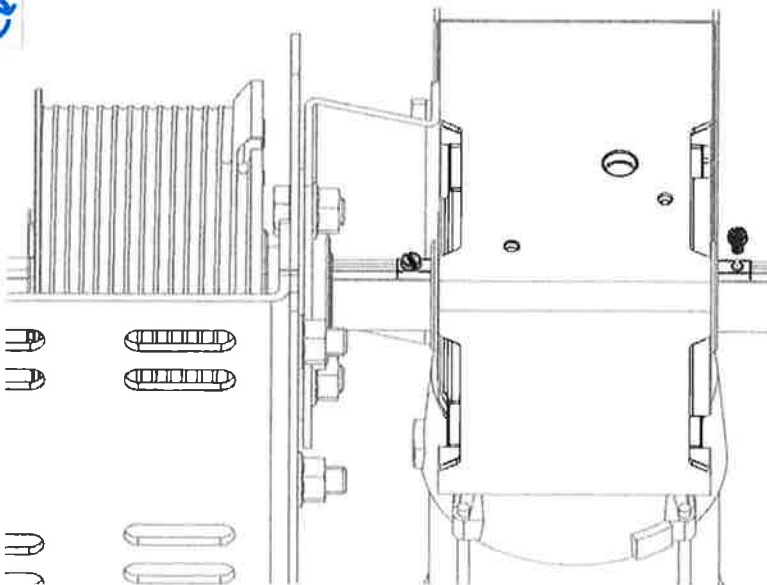
8,2



M8x20

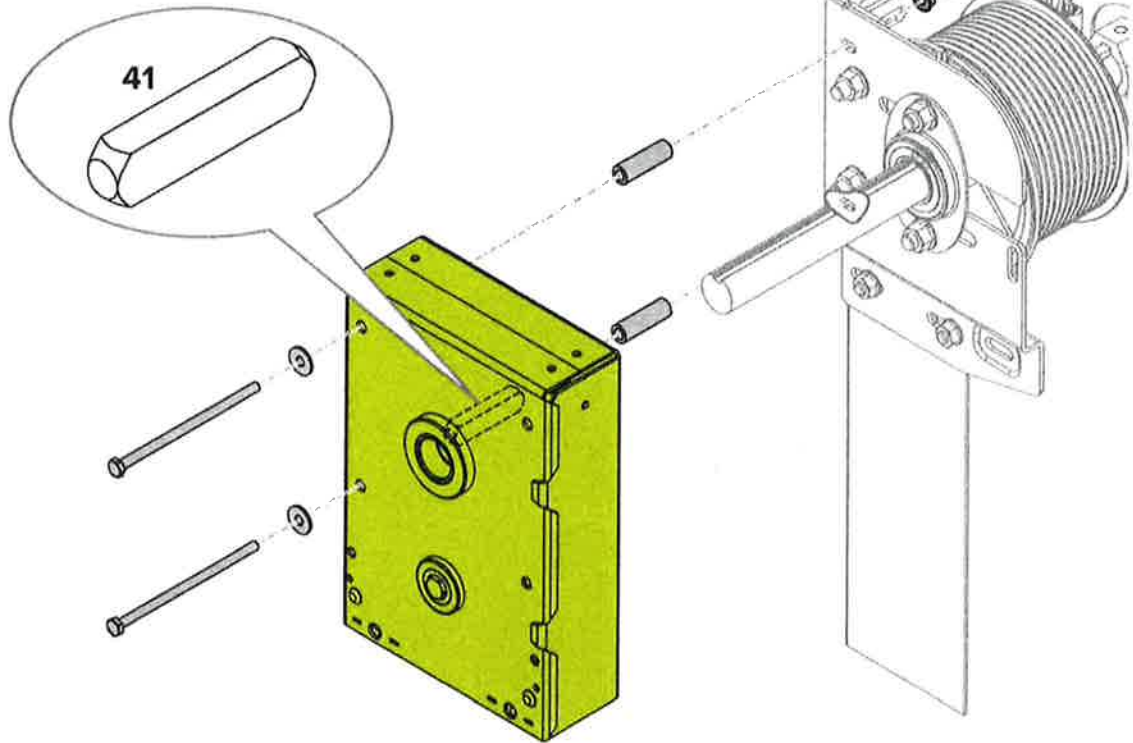


10.2









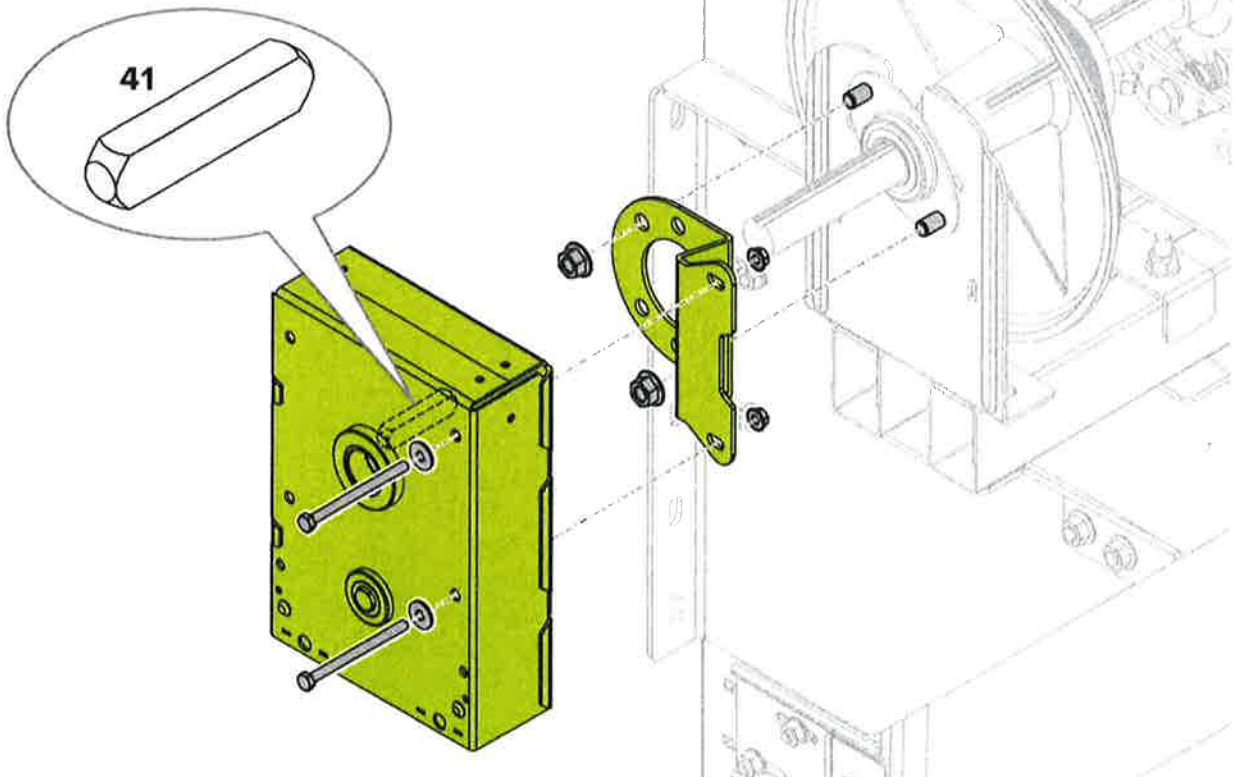
OPTION

11 v5 HL HLK    7Nm M6  6,4  M6x115

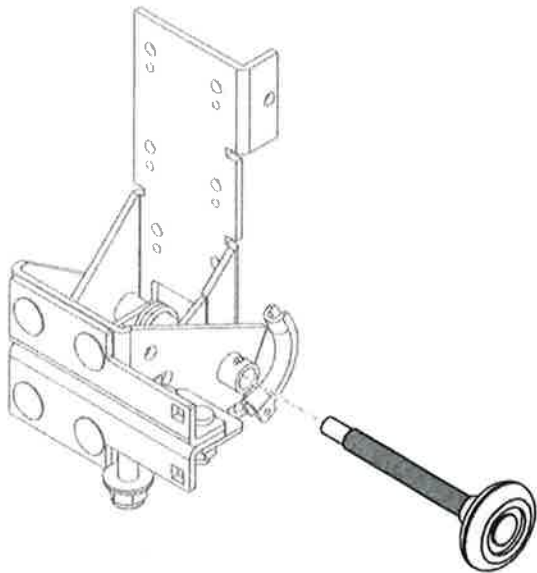


OPTION

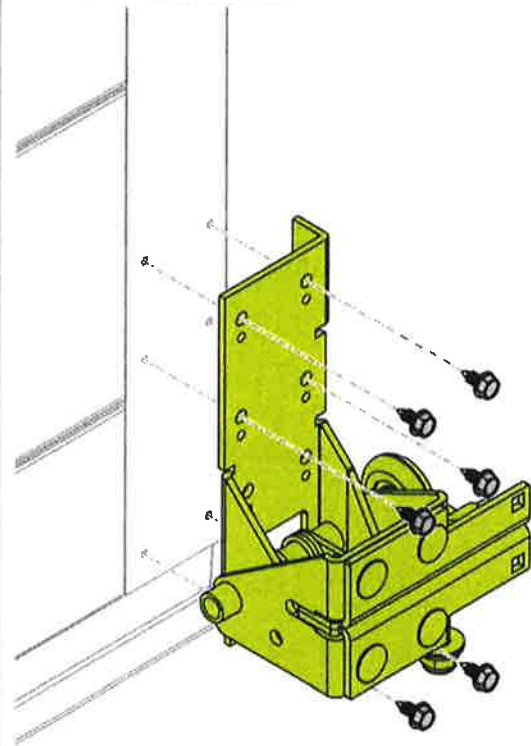
11.1 HLO   30Nm M10  M10x20  7Nm M6  6,4  M6x115



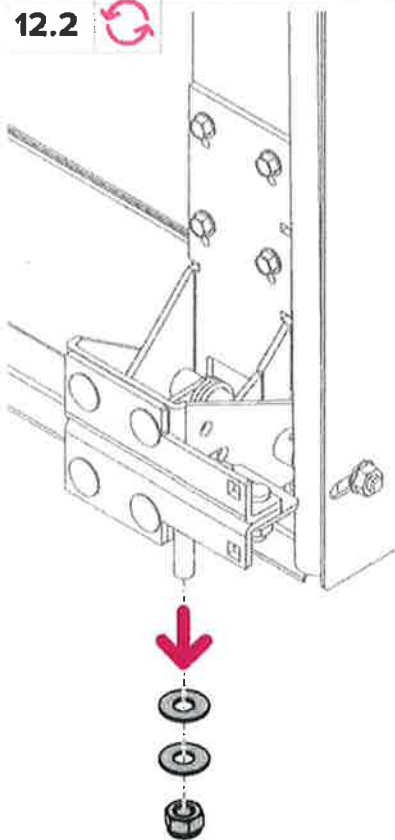
12 v2



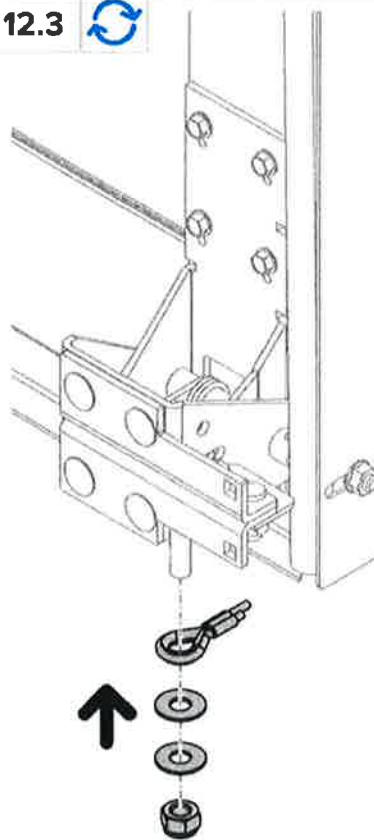
12.1



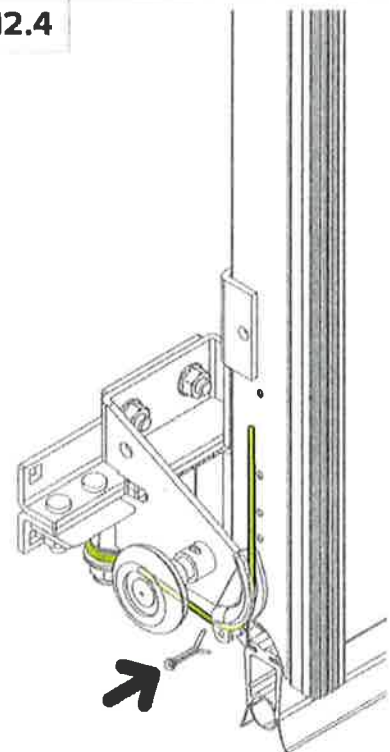
12.2



12.3

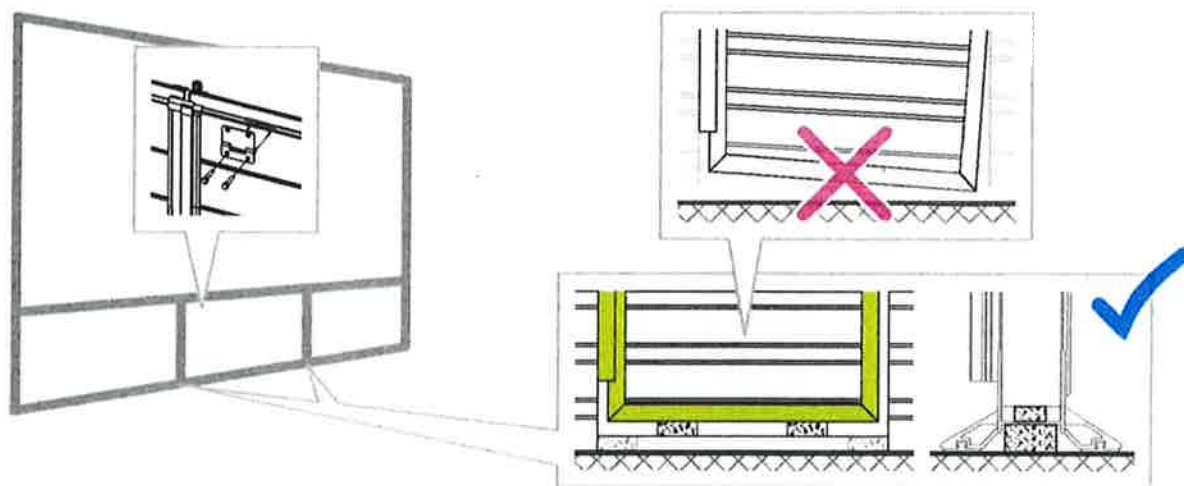


12.4

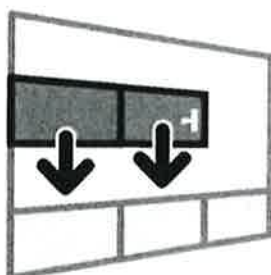


OPTION

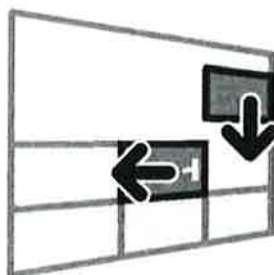
13



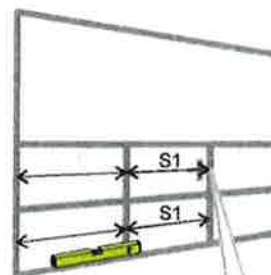
13.1



13.2

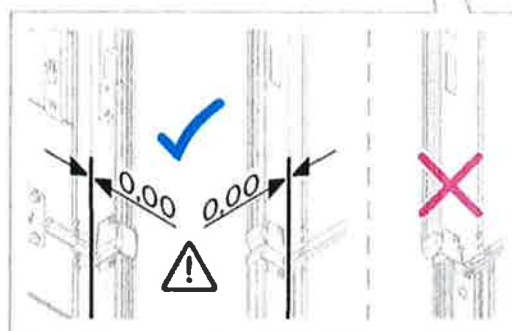


13.3

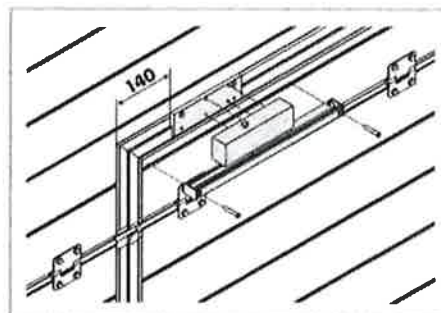


OPTION

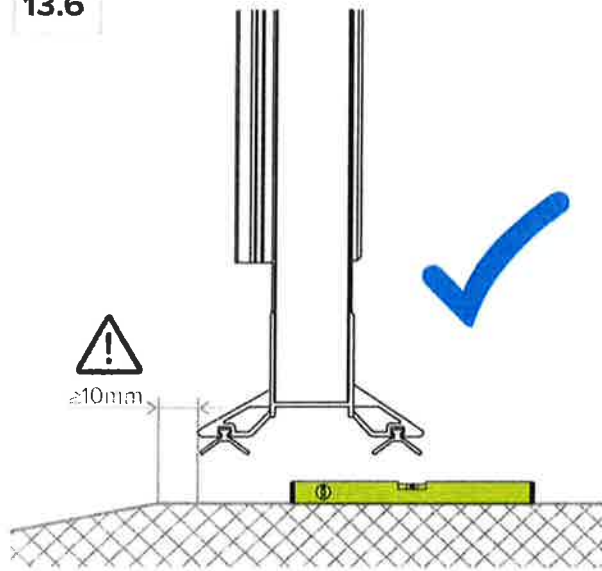
13.4



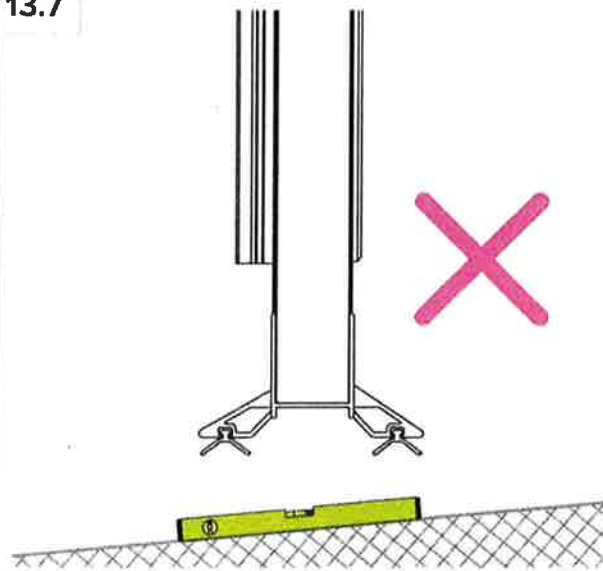
13.5



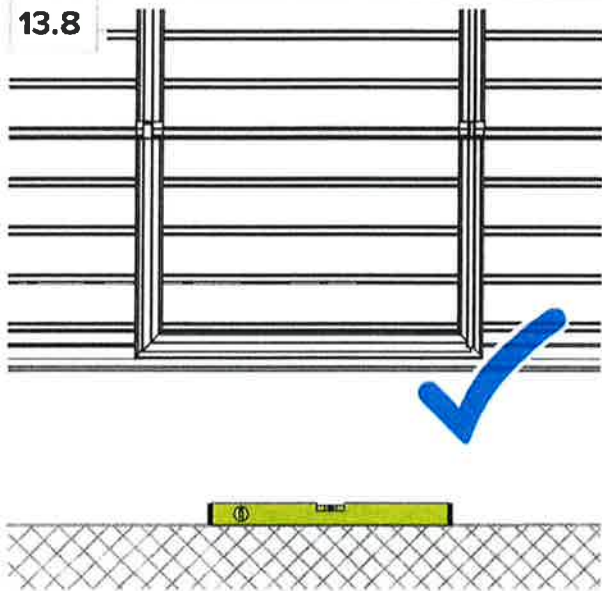
13.6



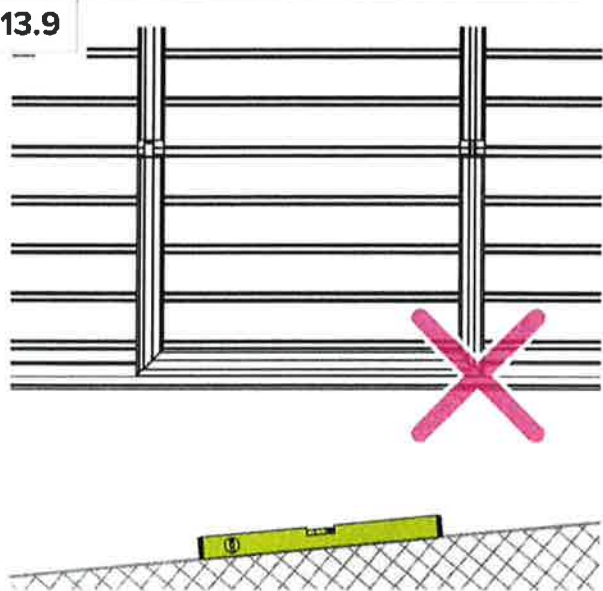
13.7



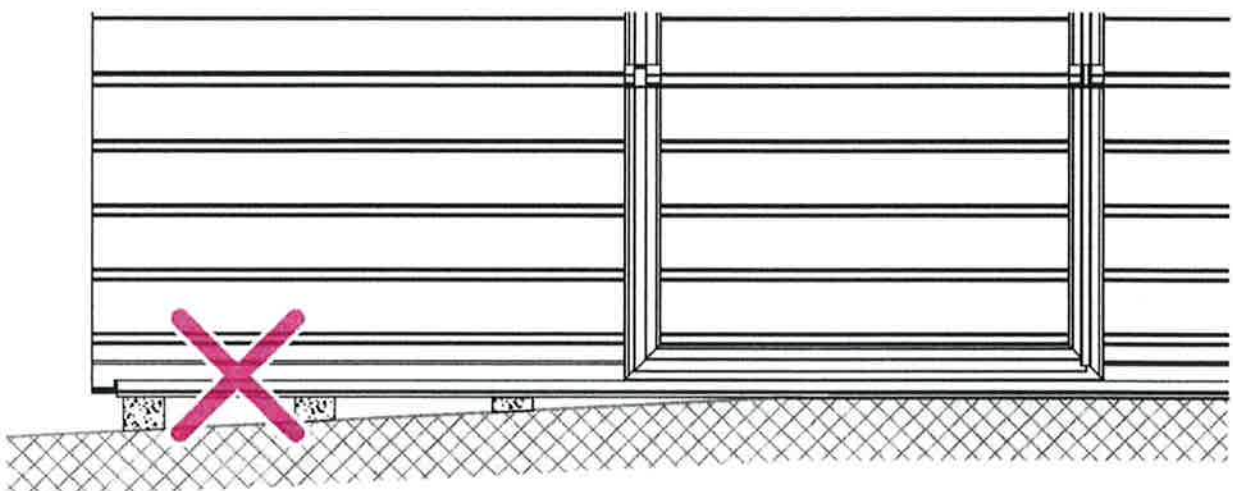
13.8



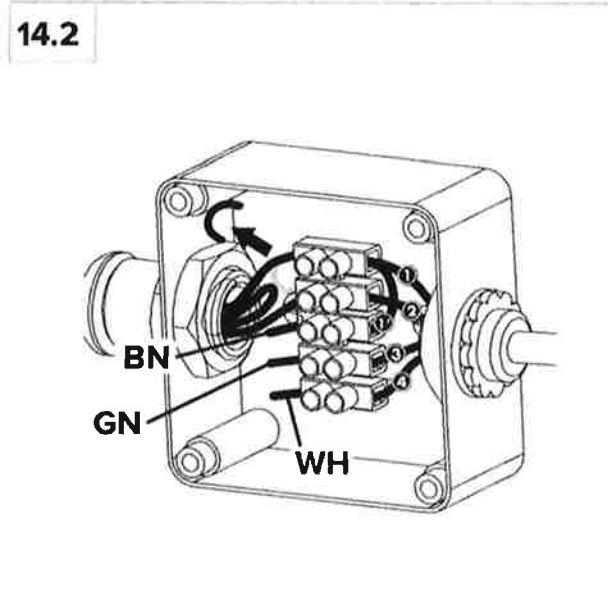
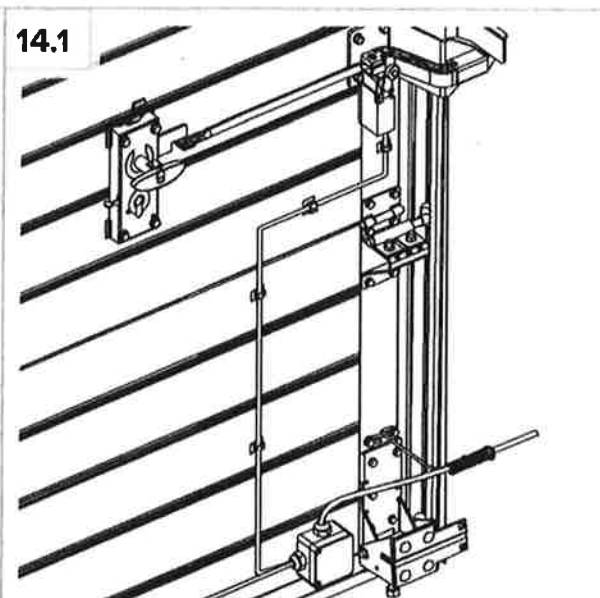
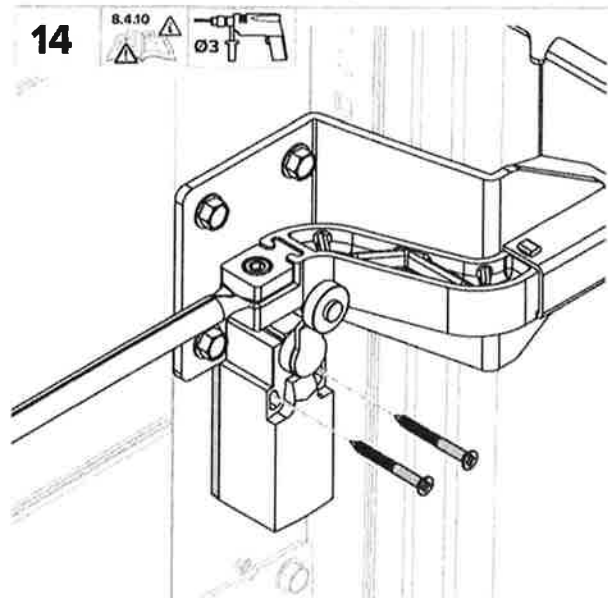
13.9



13.10

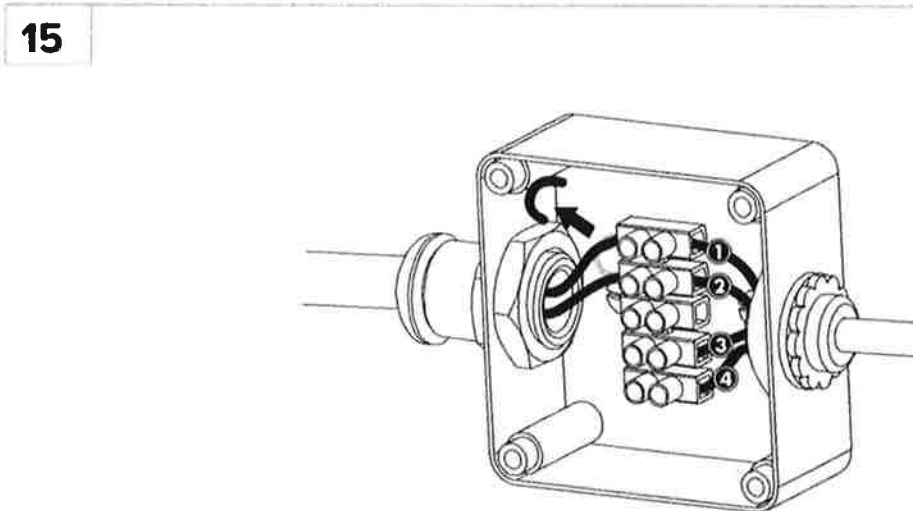
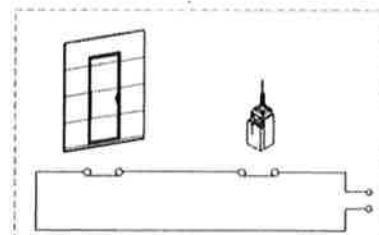


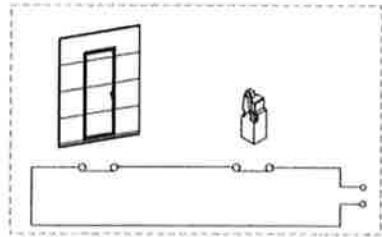
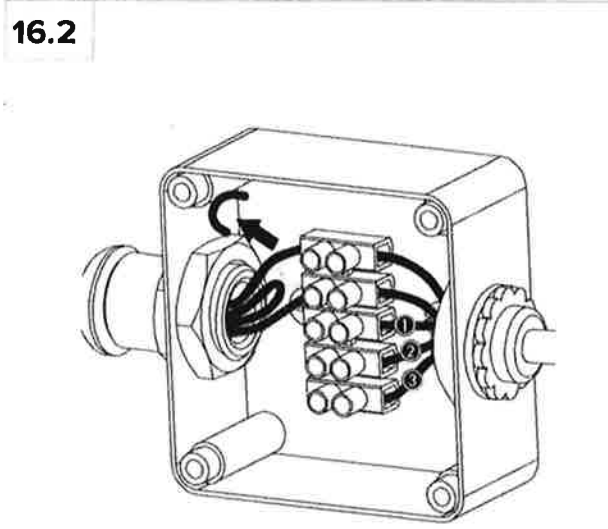
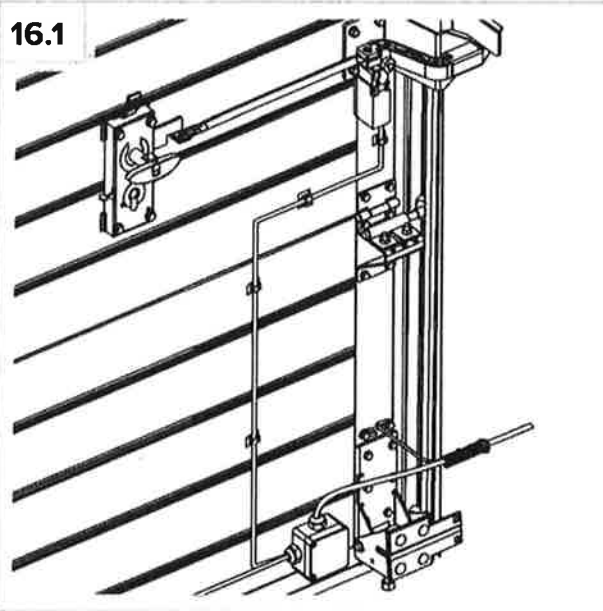
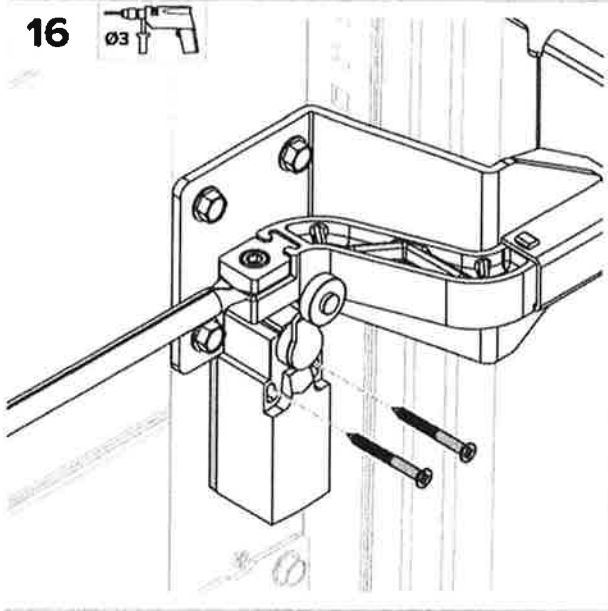
OPTION



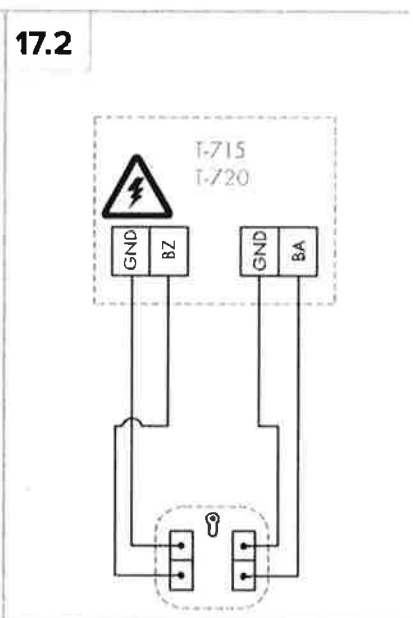
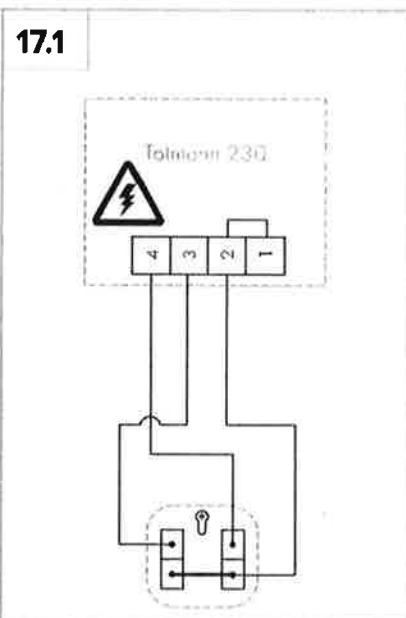
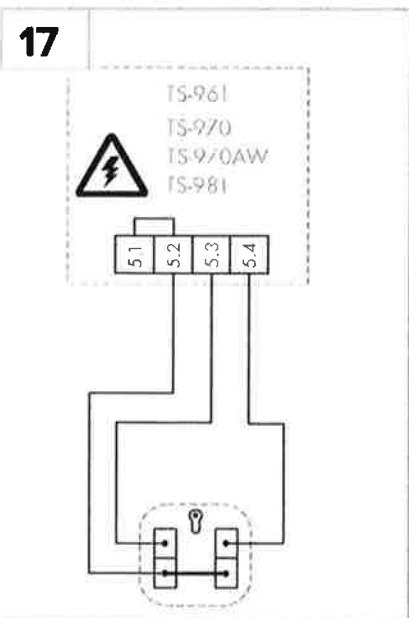
OPTION

- | | |
|---|------|
| 1 | ST+ |
| 2 | ST |
| 3 | SK/b |
| 4 | SK/g |

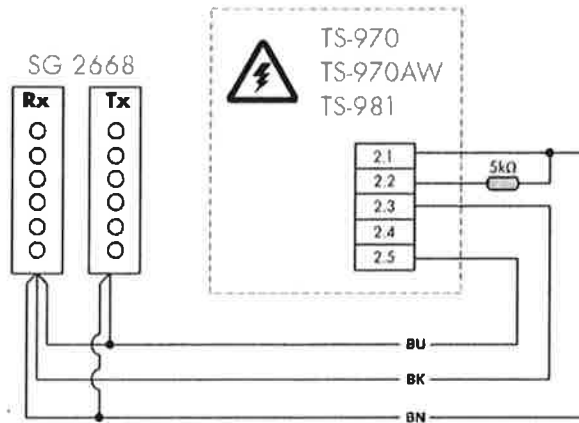




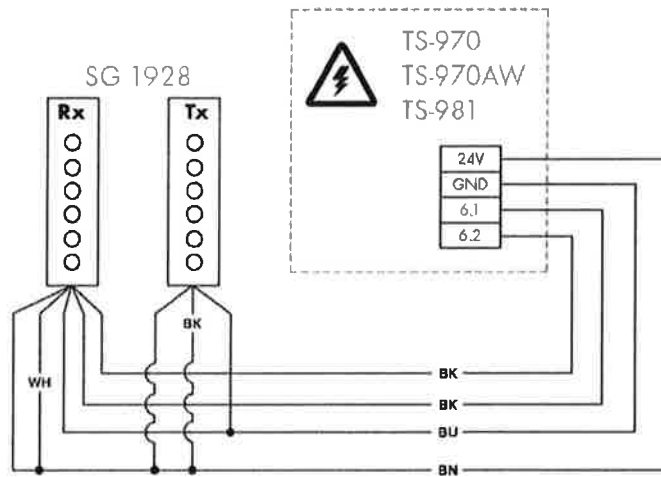
OPTION



18



18.1

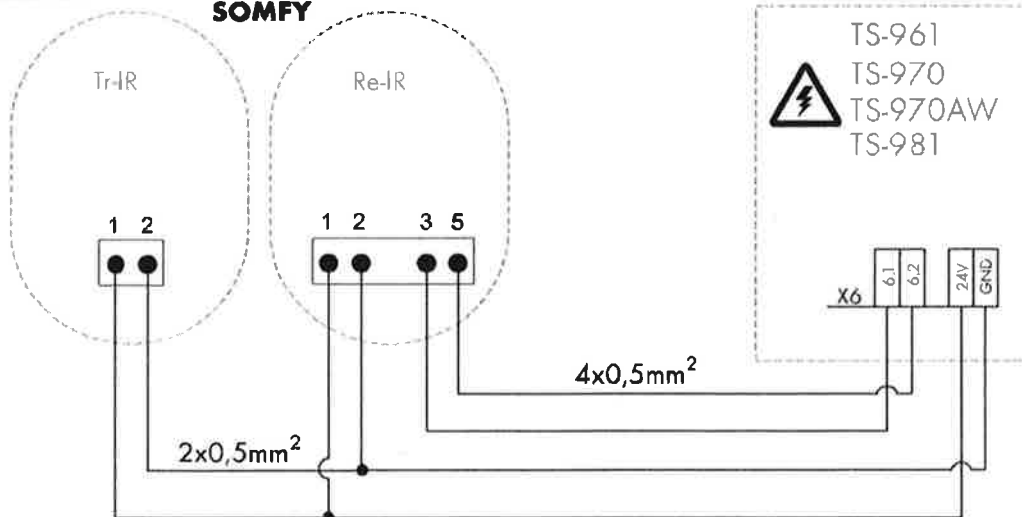


OPTION

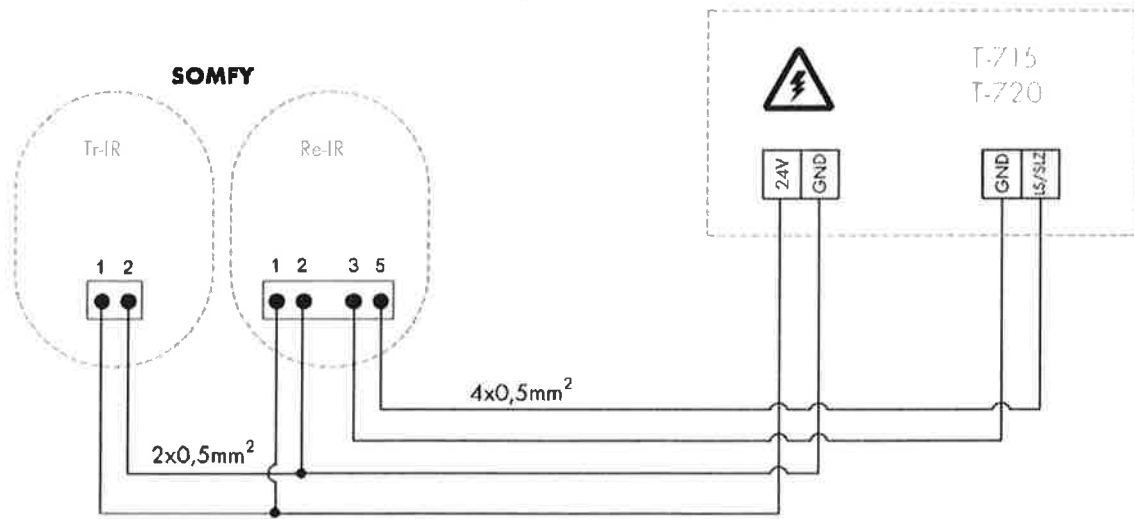
19



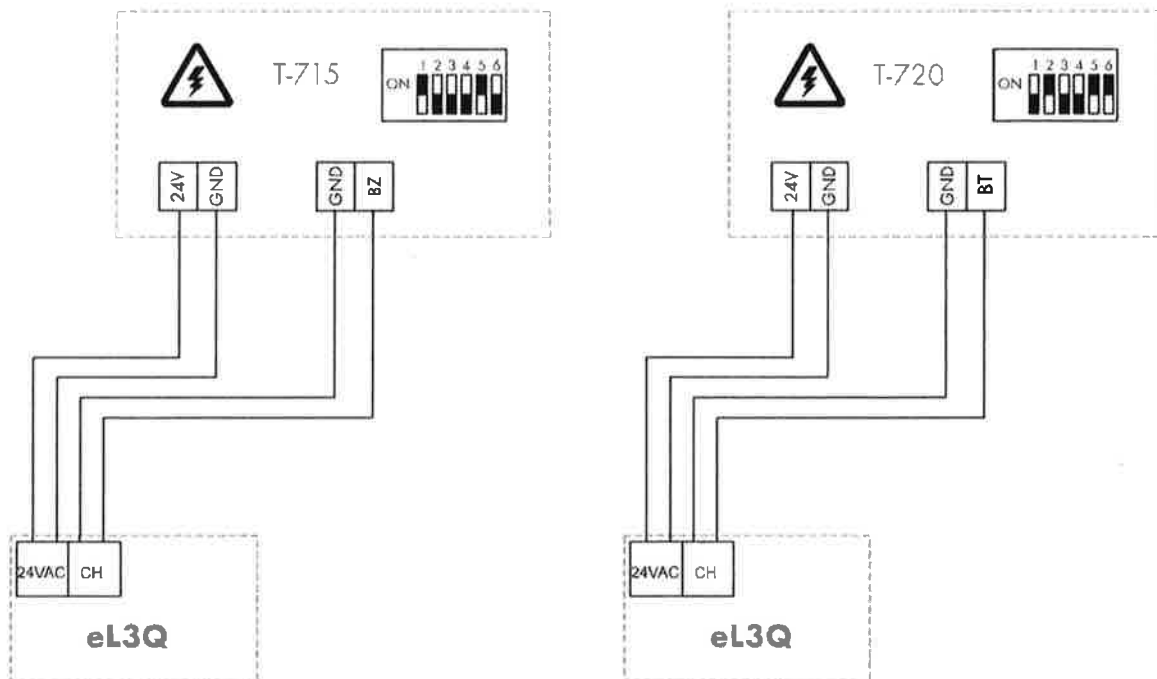
SOMFY



19.1

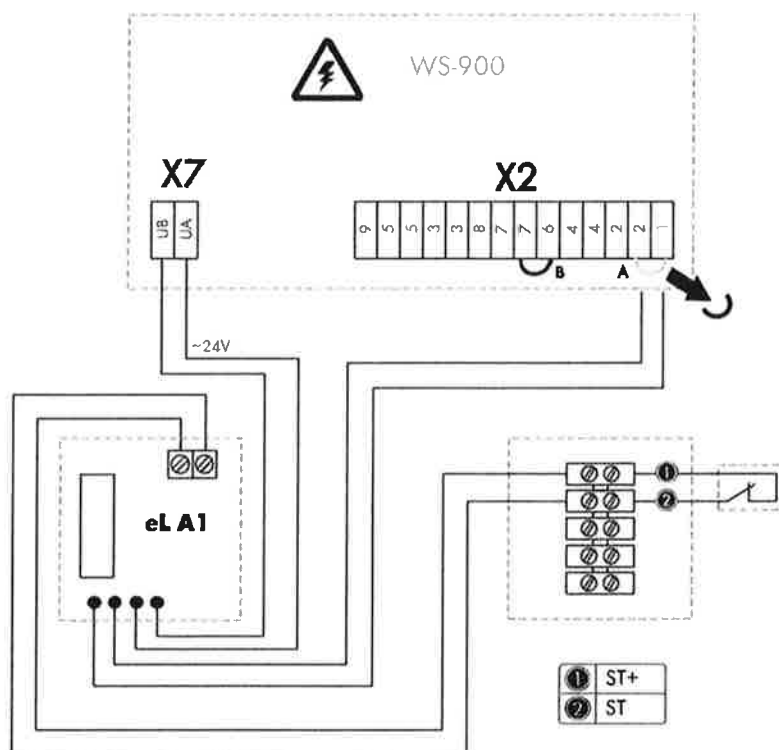


20



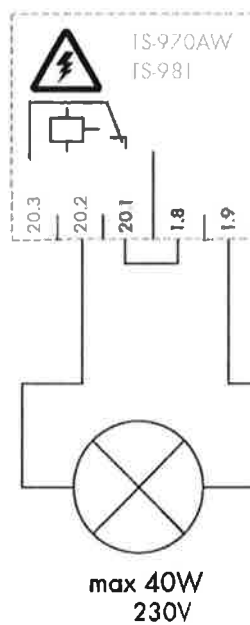
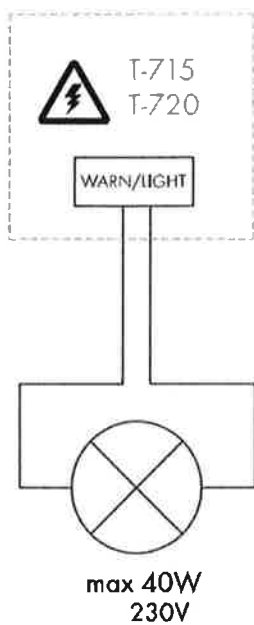
OPTION

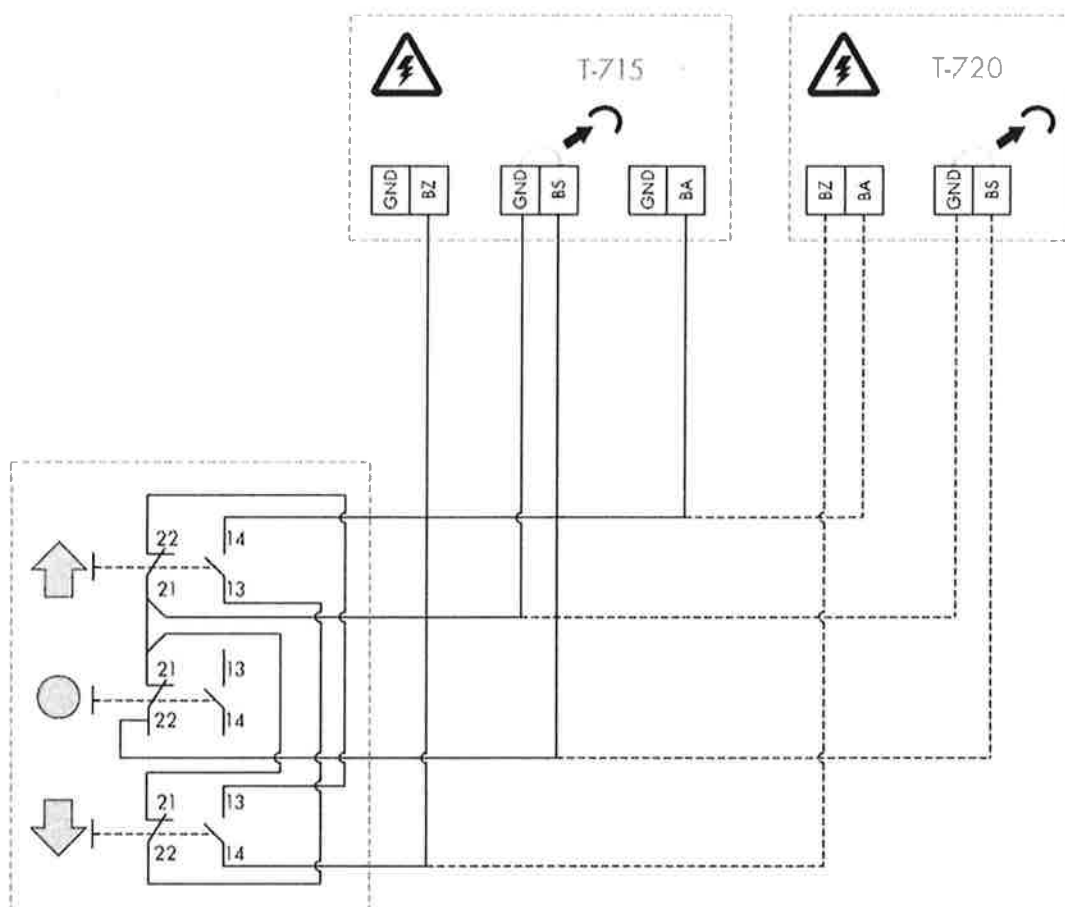
21



OPTION

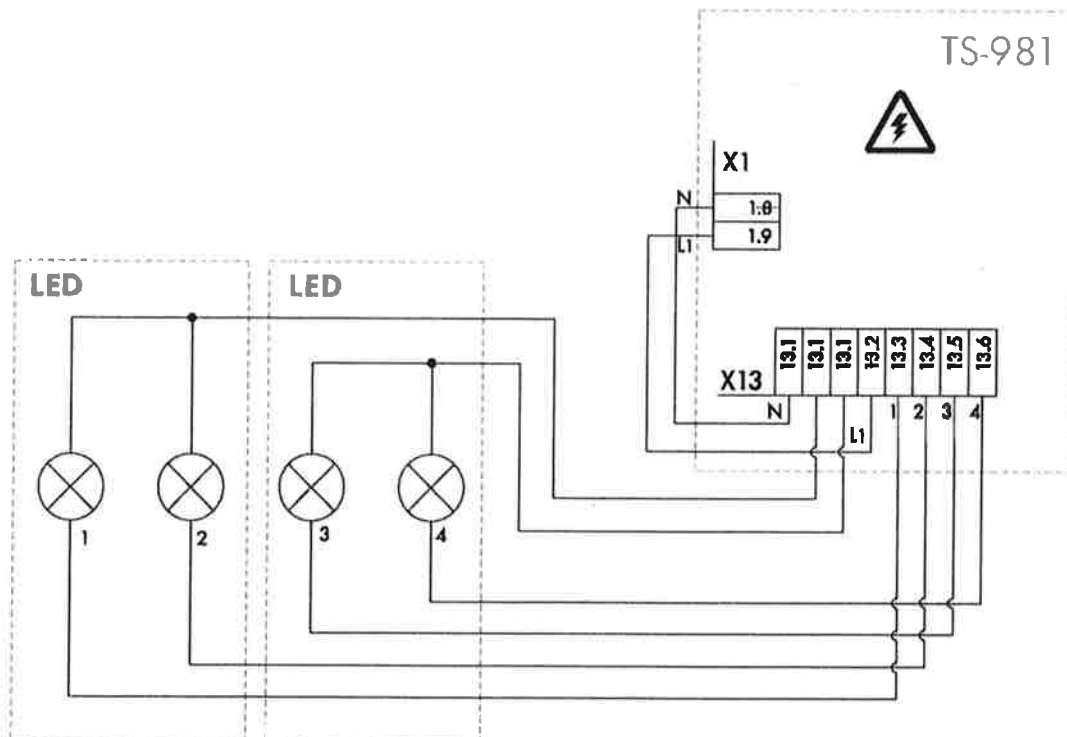
22





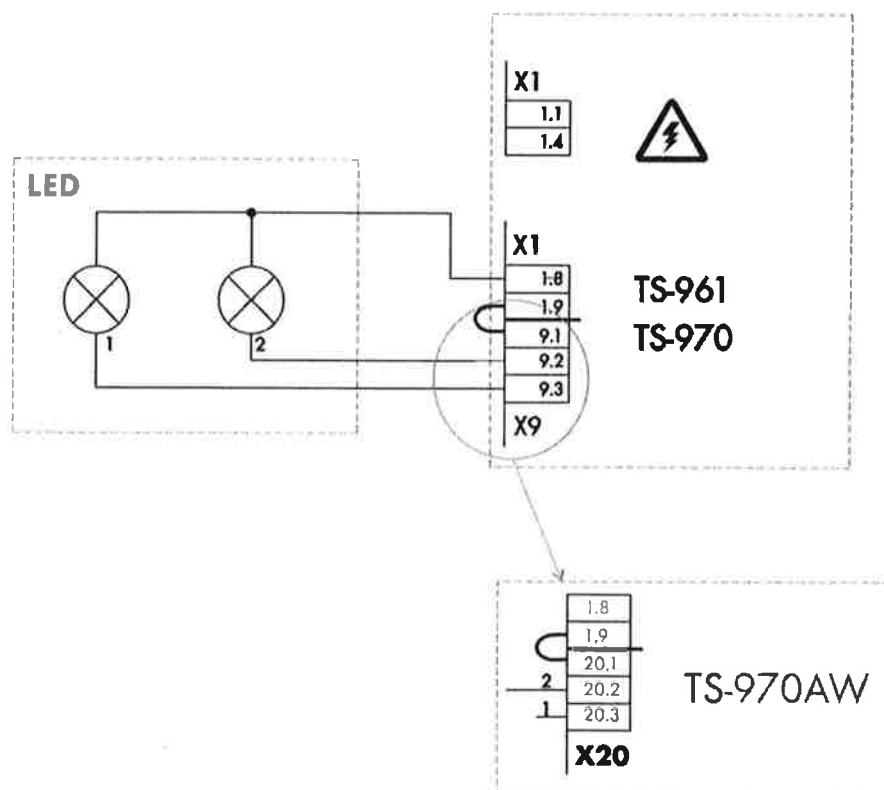
OPTION

24

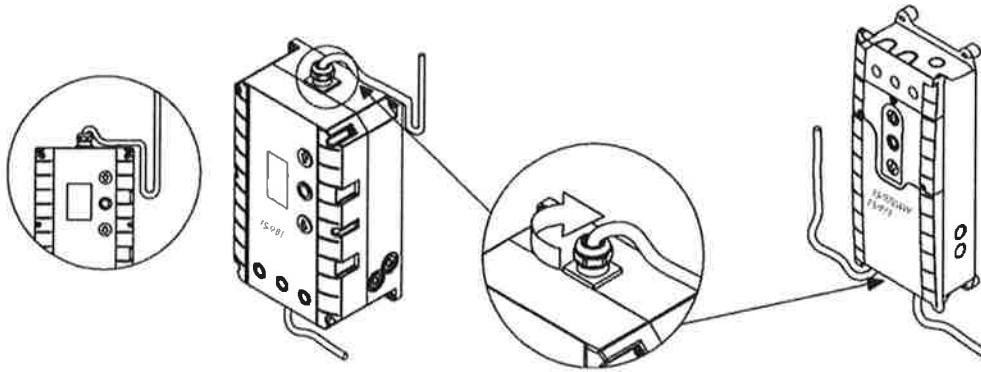


OPTION

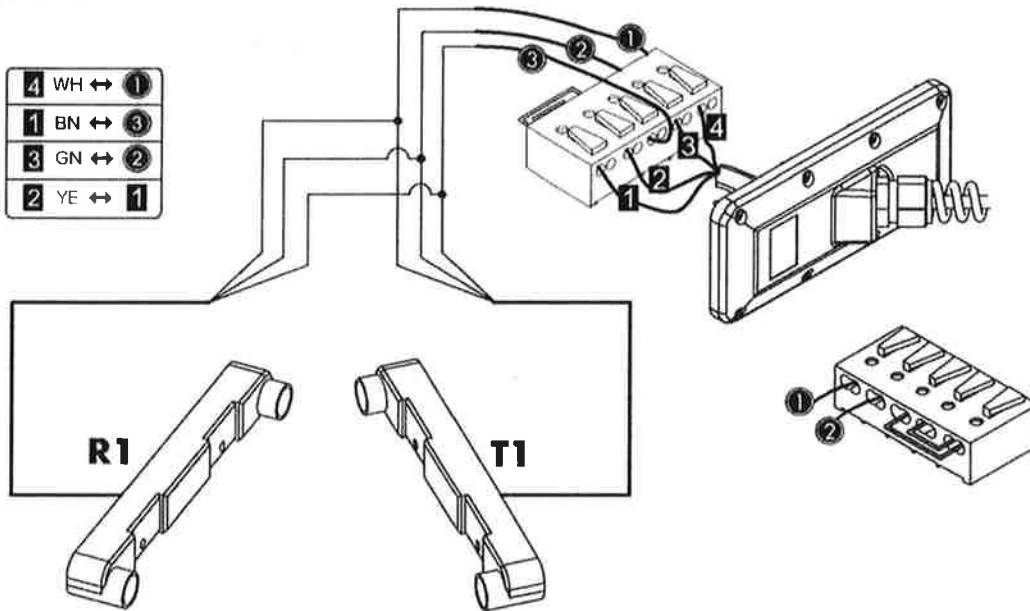
24.1



25

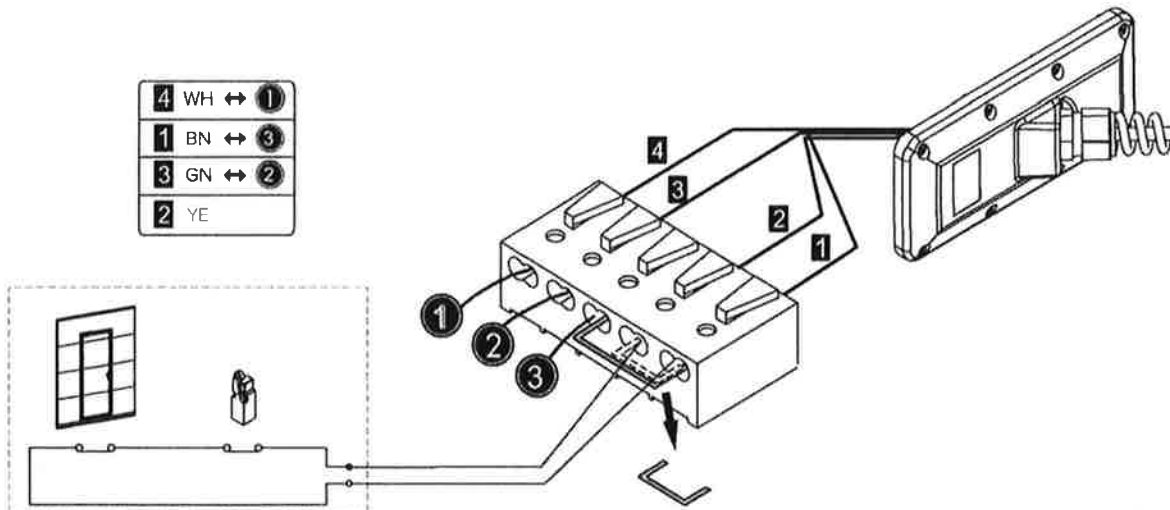


26



OPTION

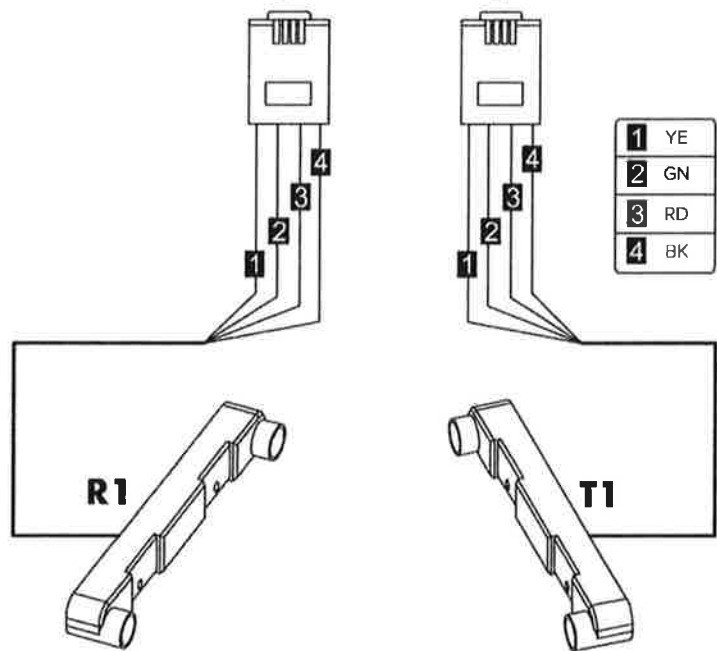
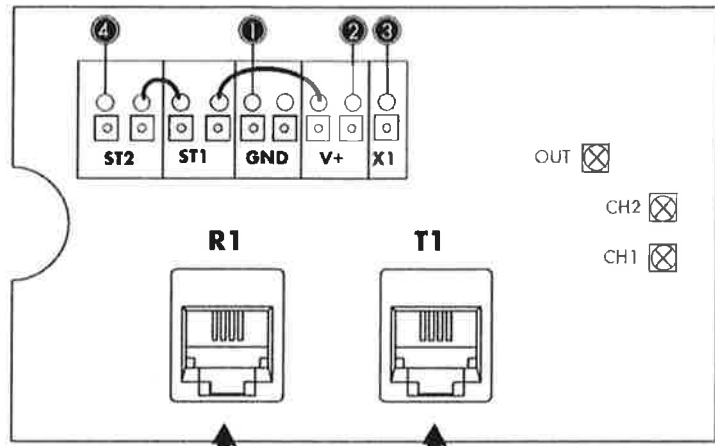
26.1



27



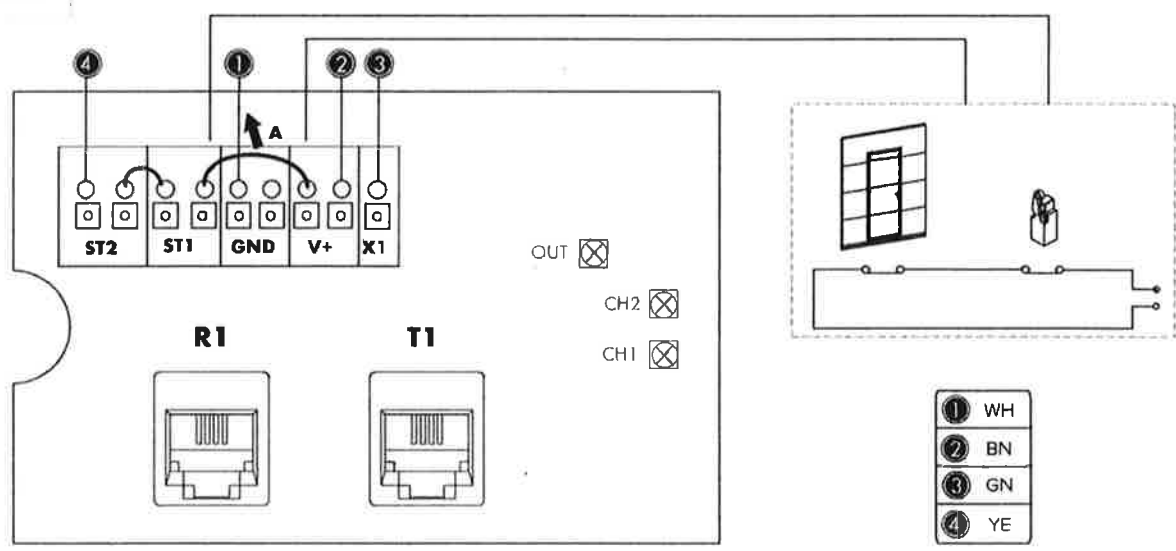
1	WH
2	BN
3	GN
4	YE



1	YE
2	GN
3	RD
4	BK

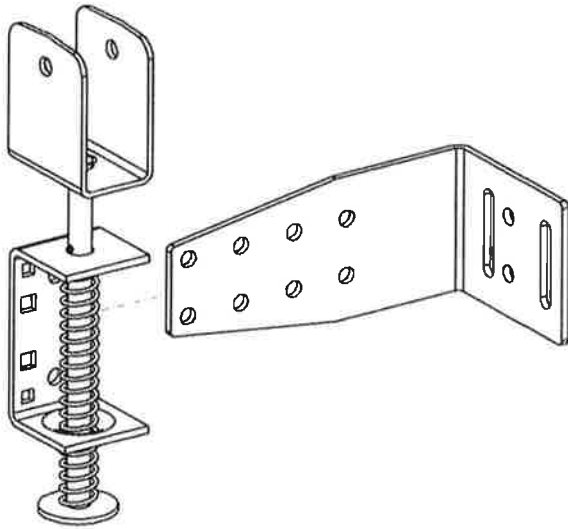
OPTION

27.1

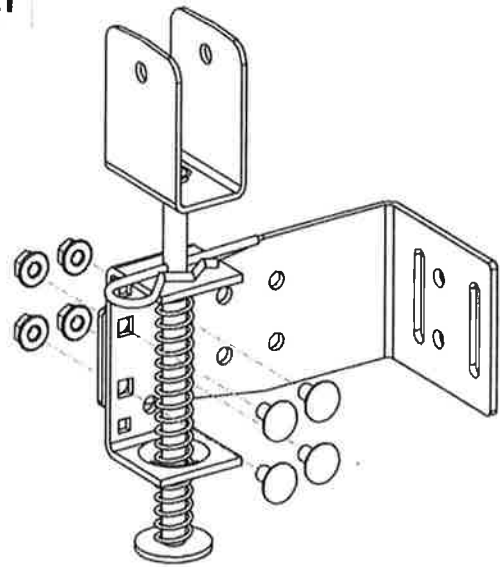


1	WH
2	BN
3	GN
4	YE

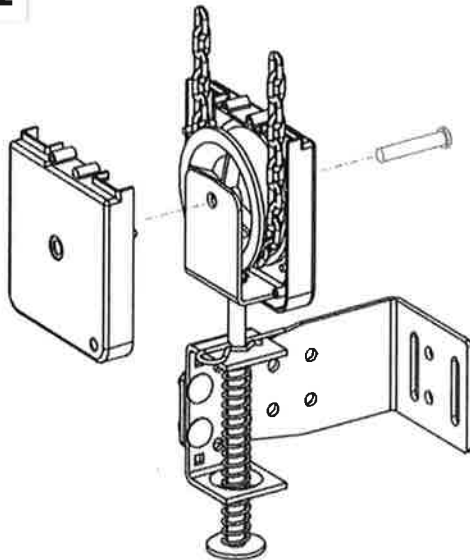
28



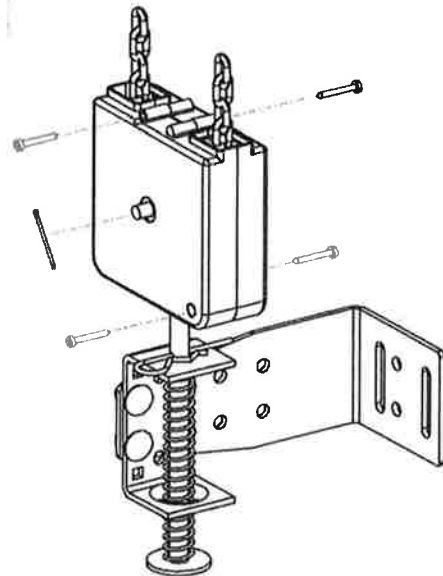
28.1



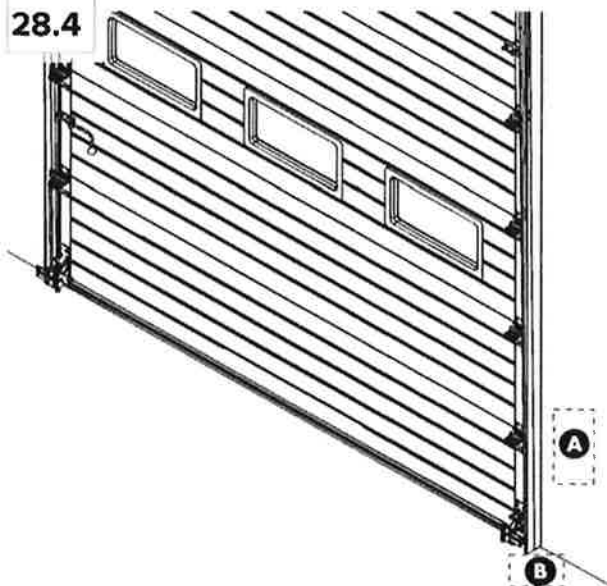
28.2



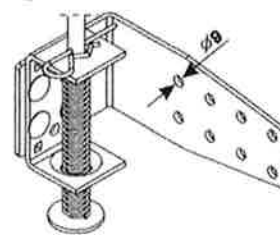
28.3



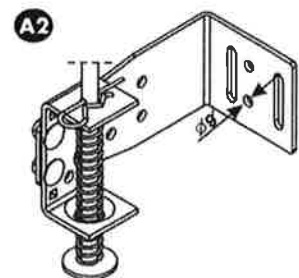
28.4



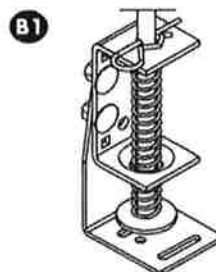
A1



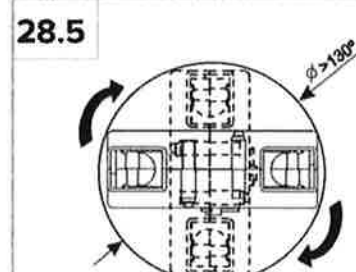
A2



B

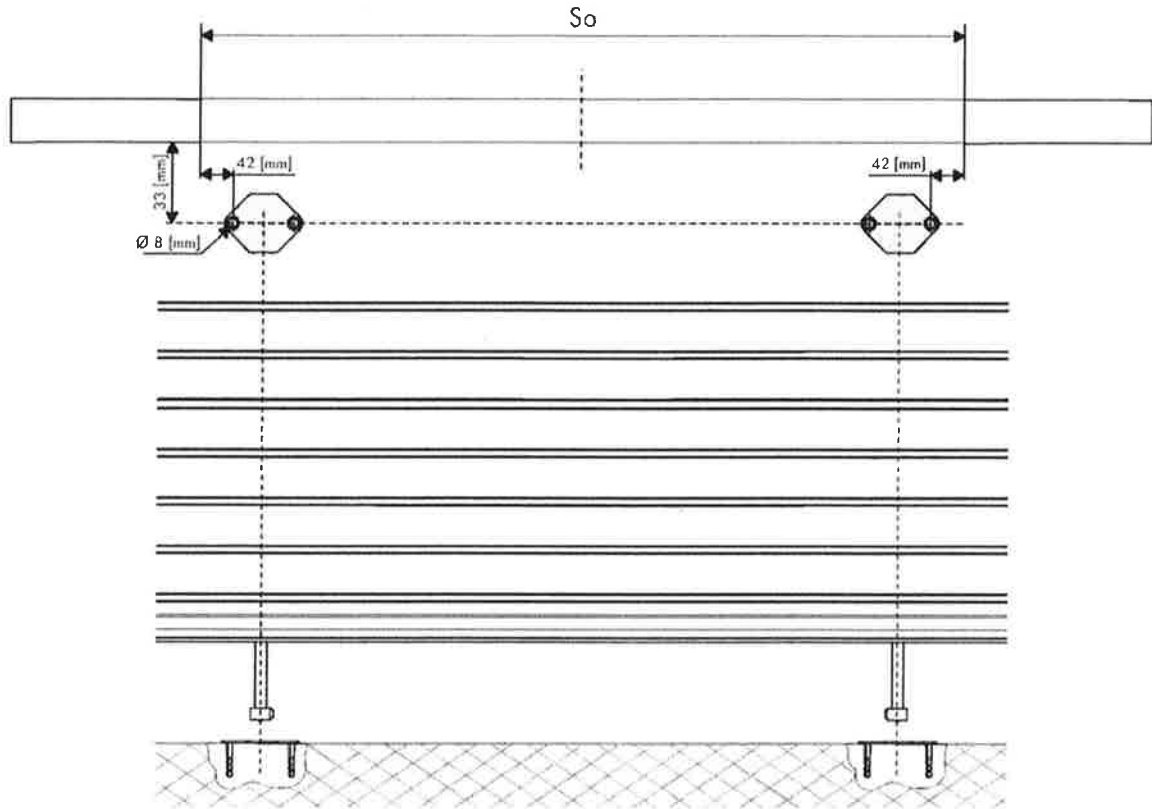


28.5



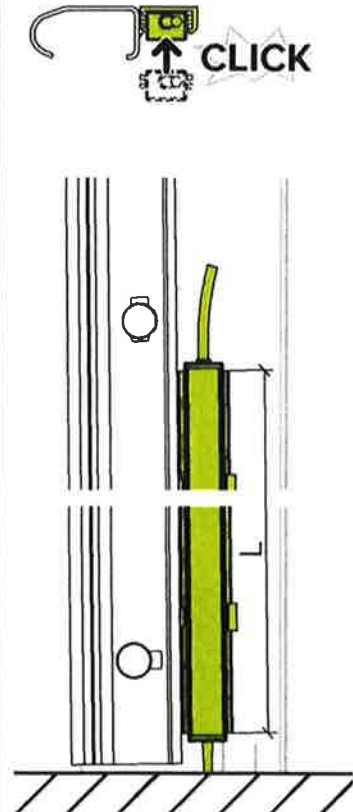
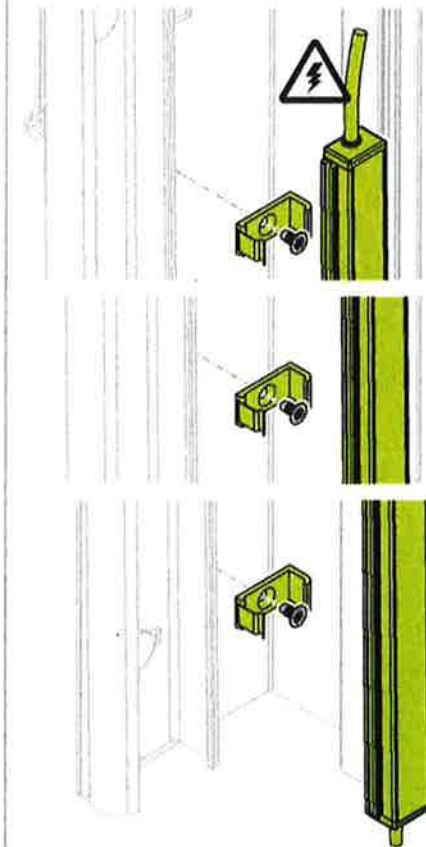
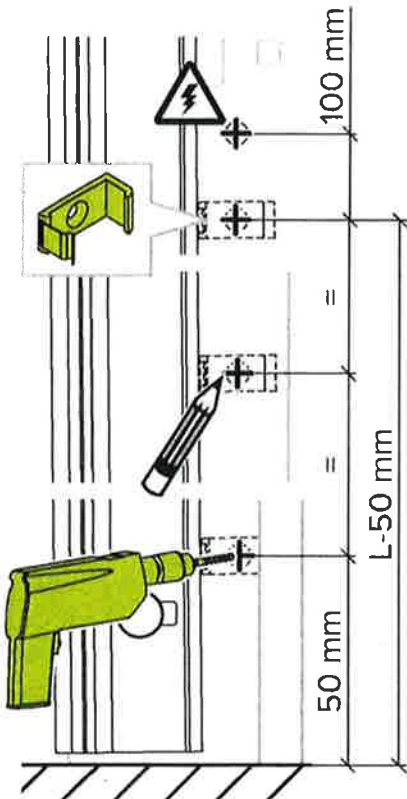
OPTION

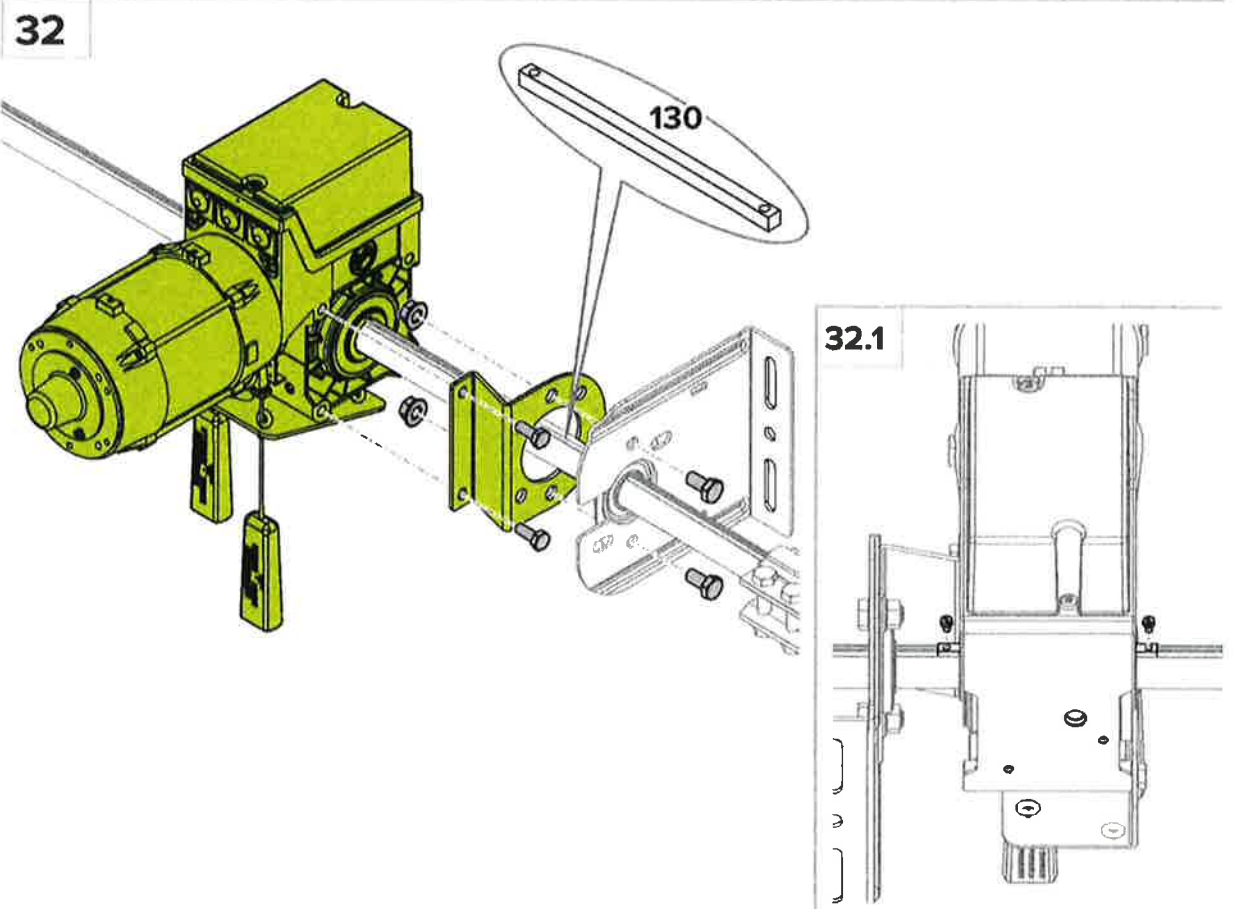
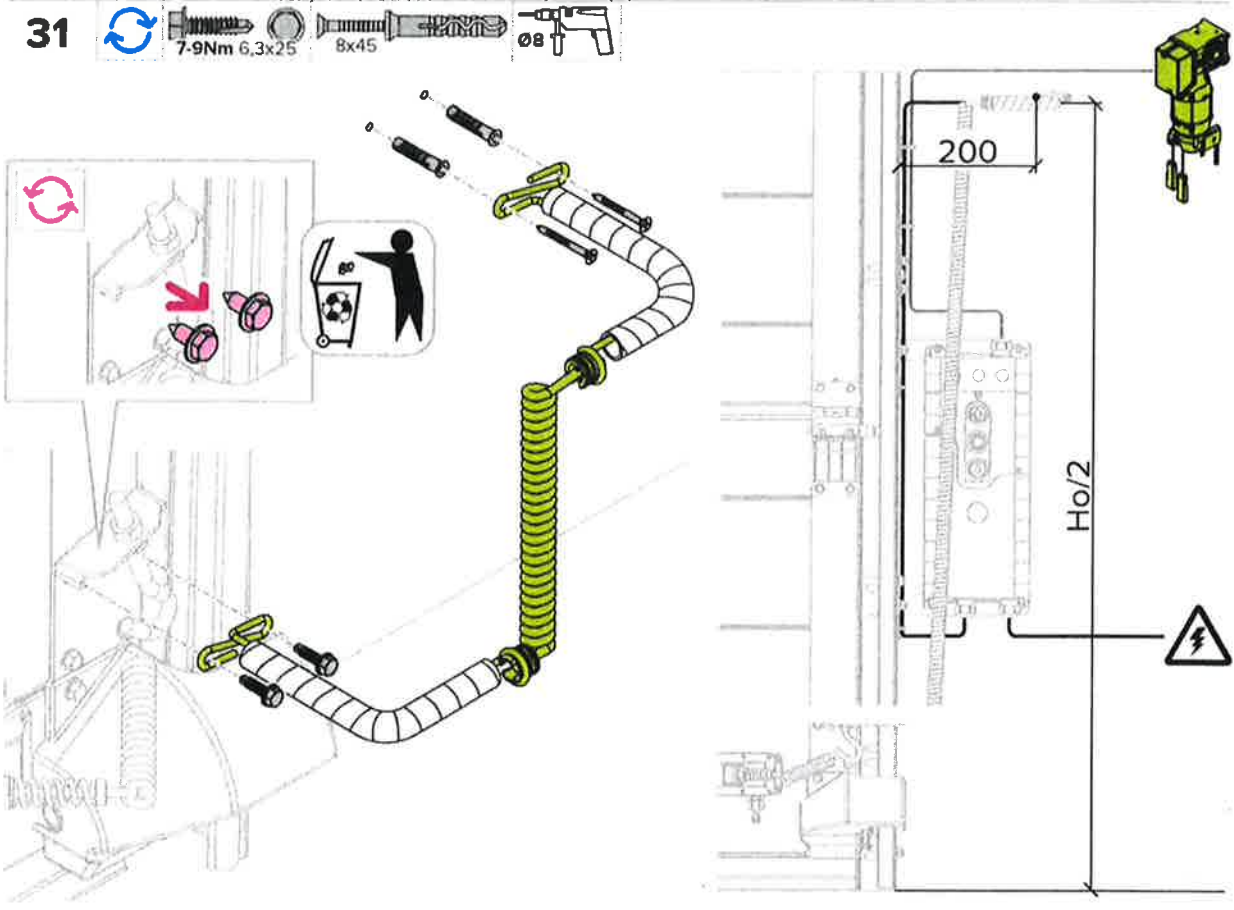
29



OPTION

30

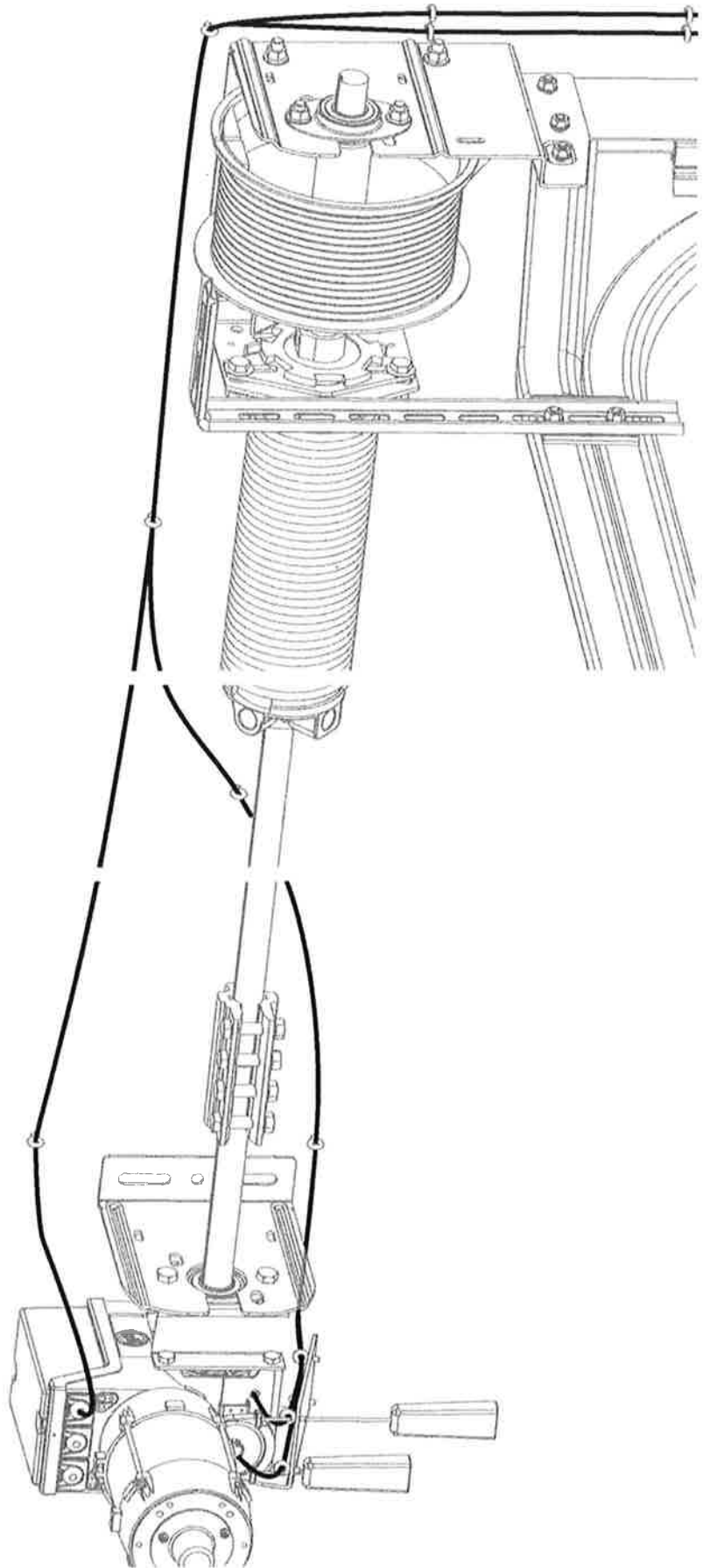




OPTION

32.2

OPTION

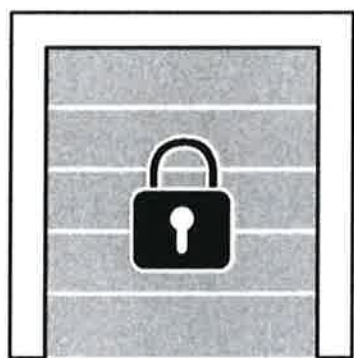
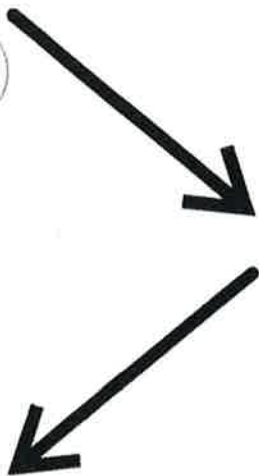
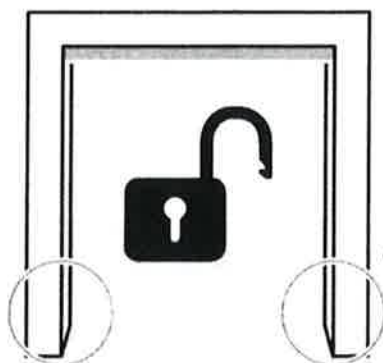


<p>33</p>	<p>33.1</p>	<p>33.2</p>
<p>33.3</p>	<p>33.4</p>	<p>33.5</p>
<p>33.6</p>	<p>33.7</p>	<p>33.8</p>

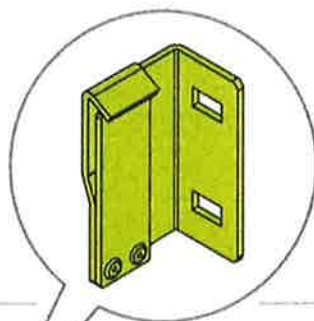
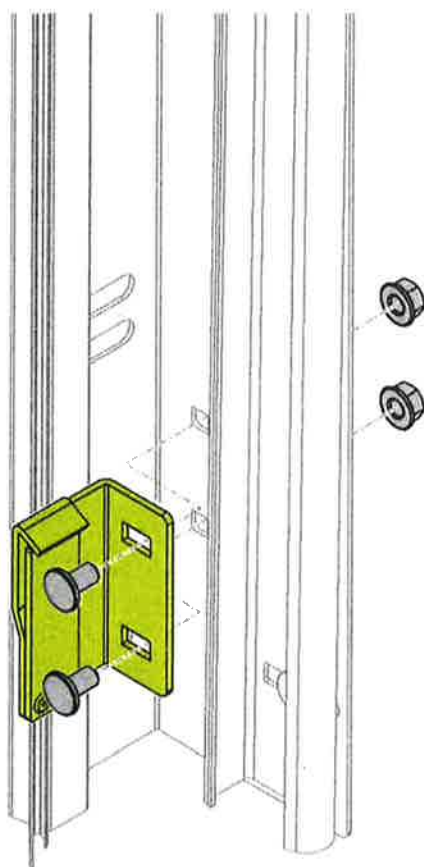
OPTION

34

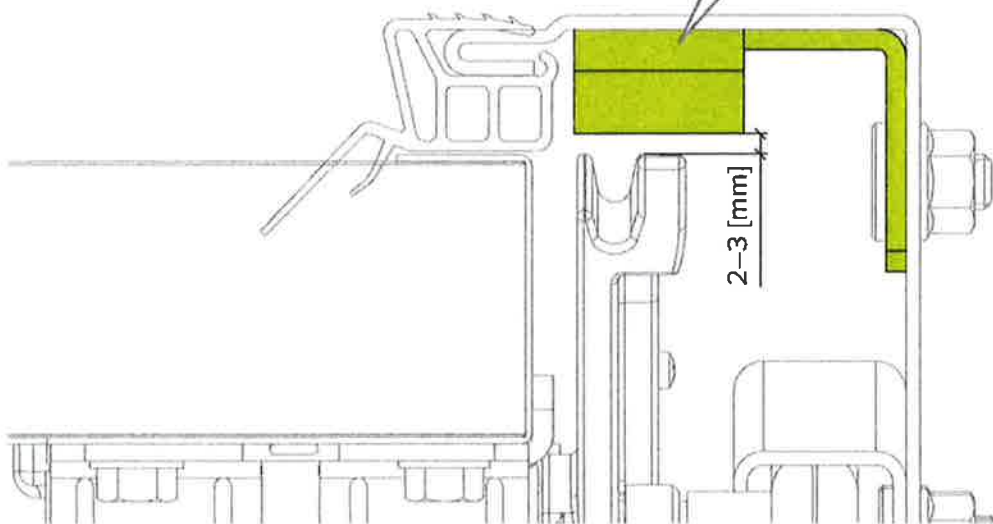
v1



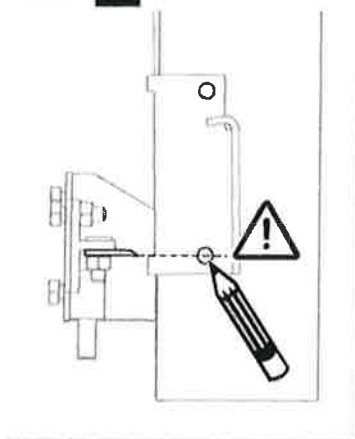
OPTION



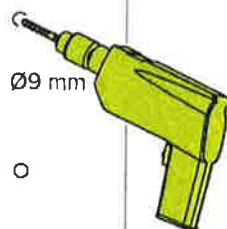
34.1



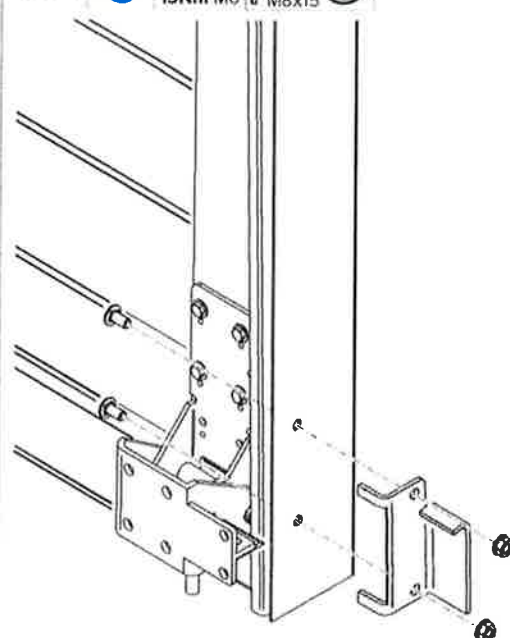
35 v2



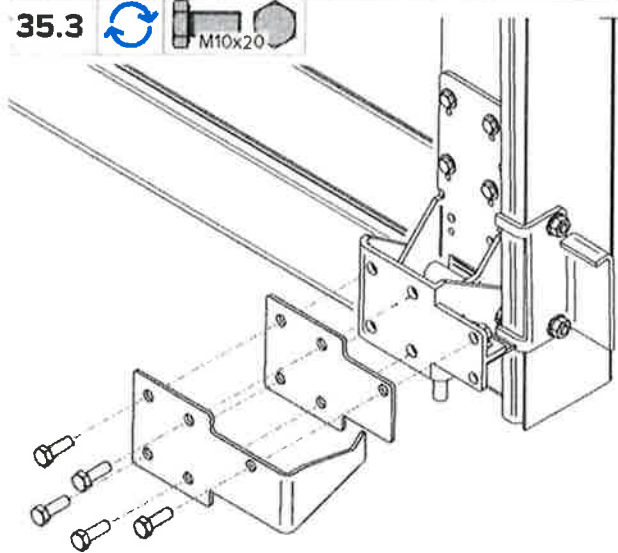
35.1



35.2

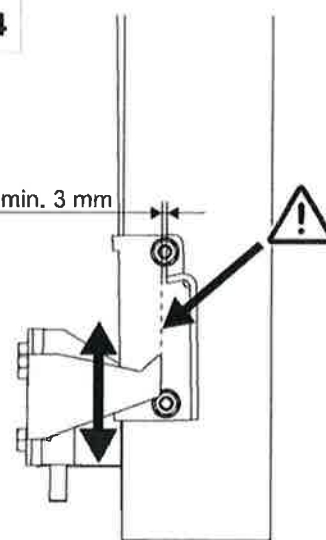


35.3

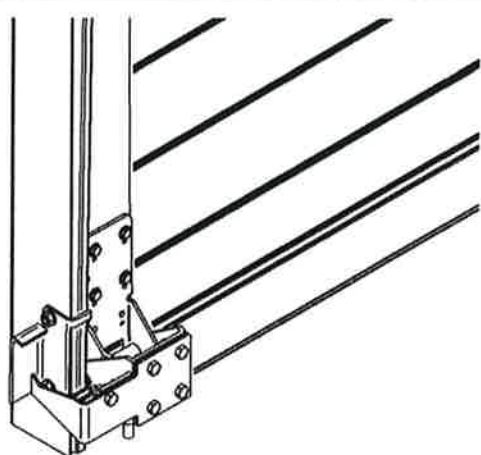


35.4

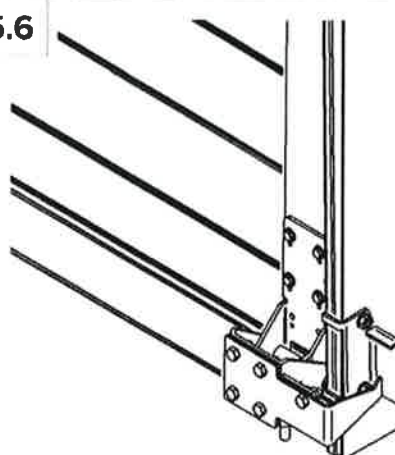
min. 3 mm



35.5

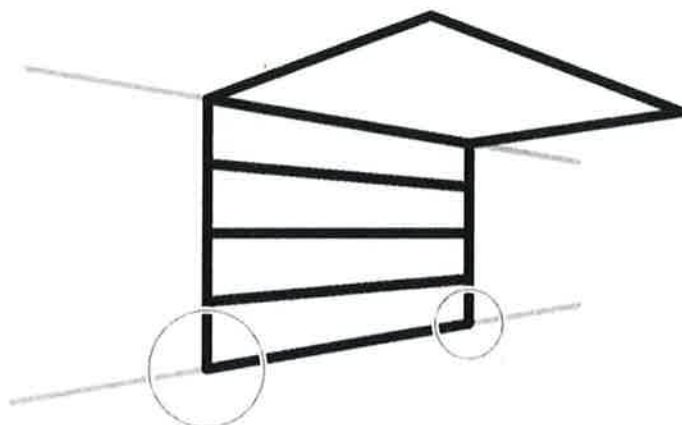


35.6

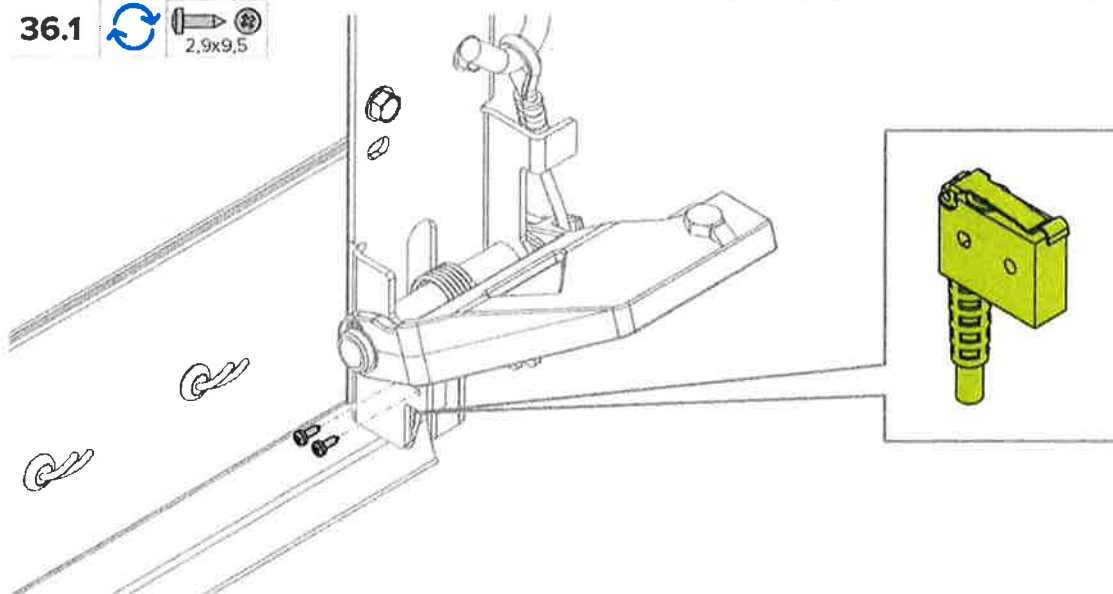


OPTION

36

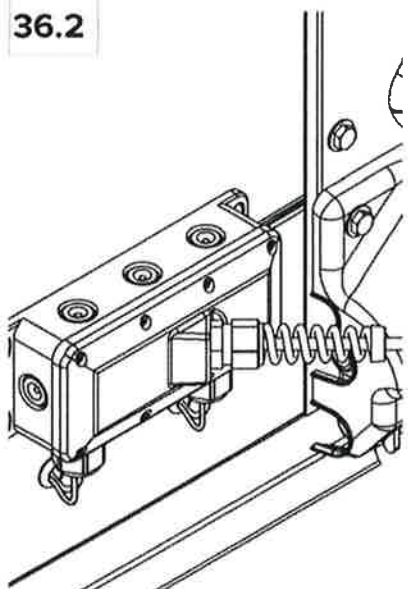


36.1   2,9x9,5

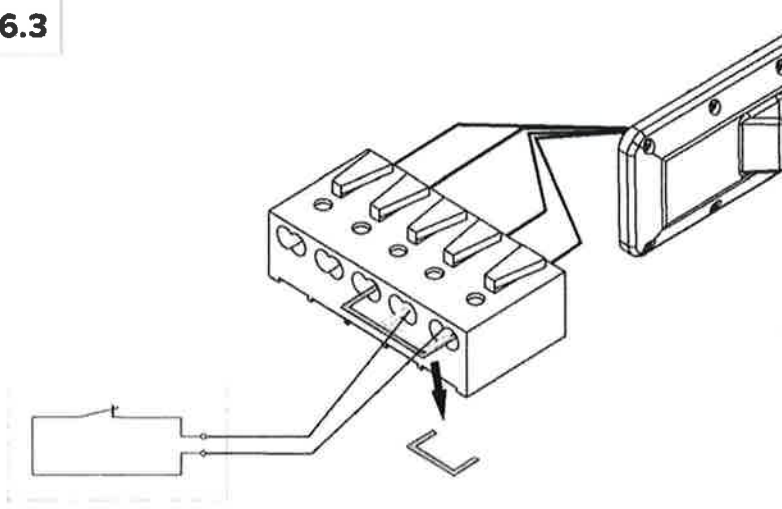


OPTION

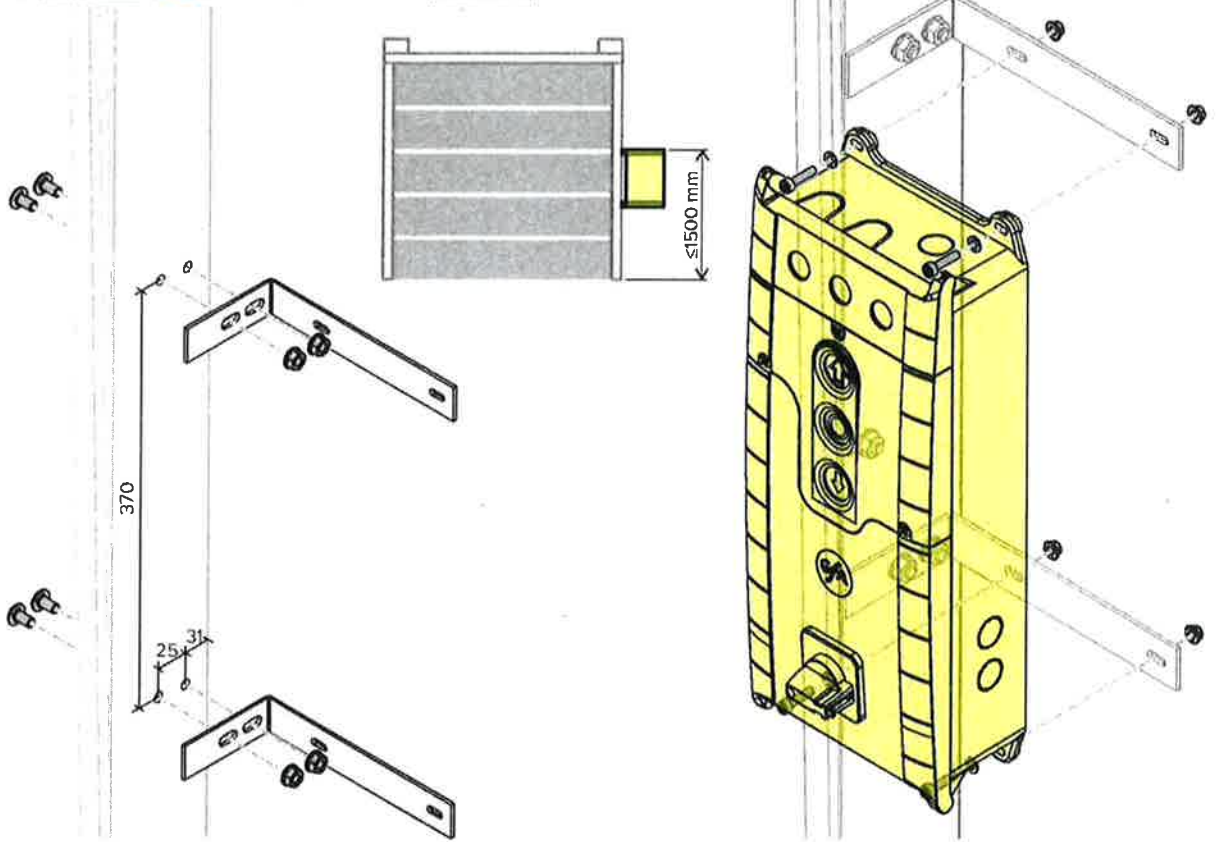
36.2



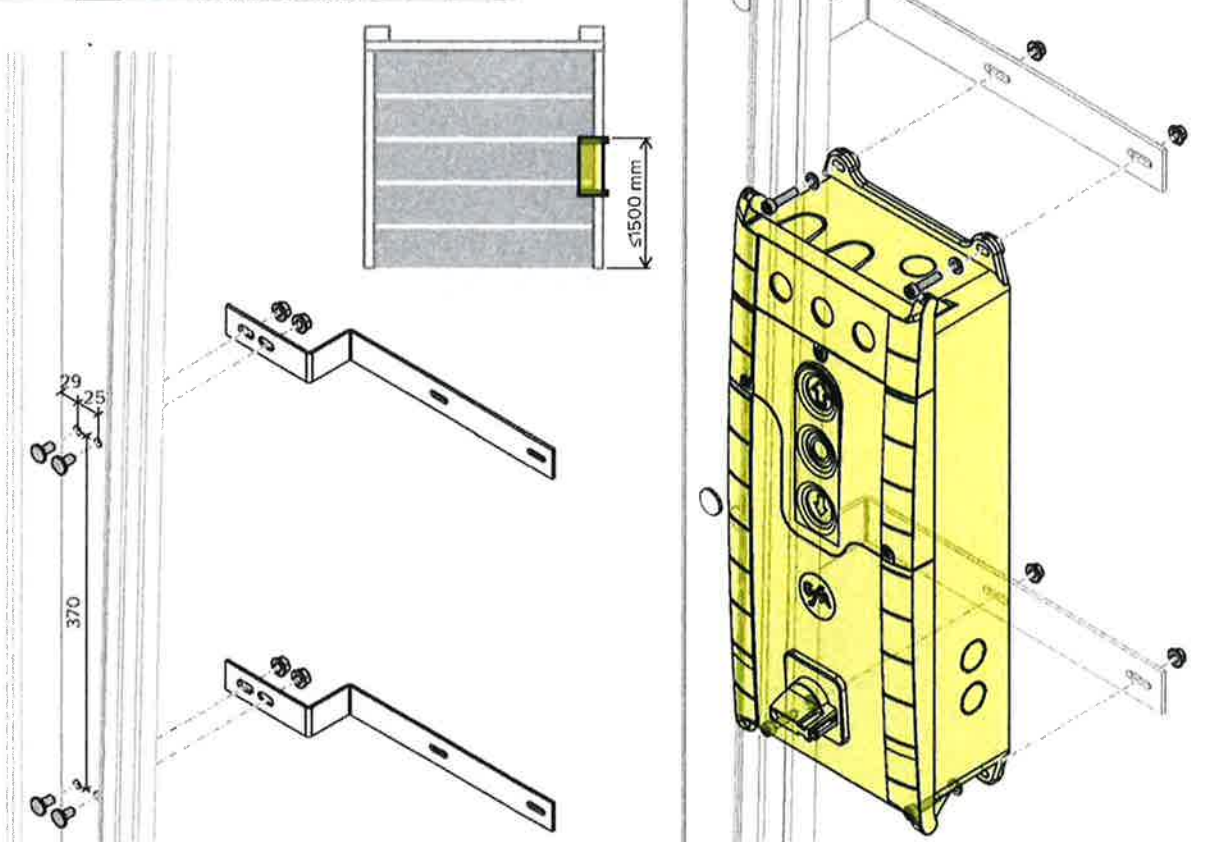
36.3



37 **v1**    

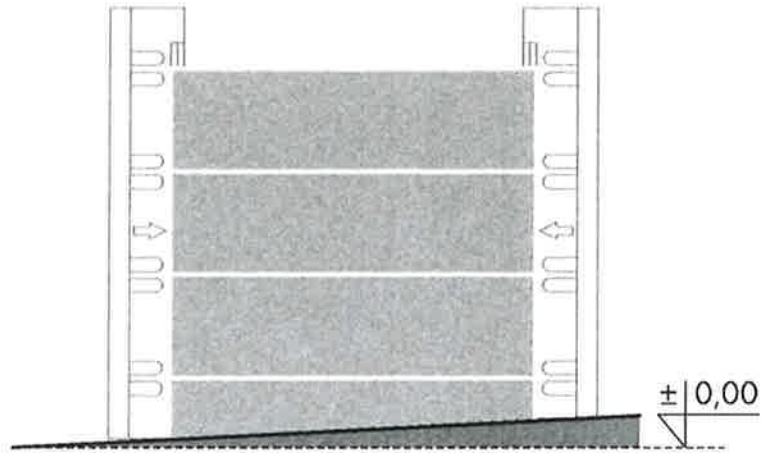


38 **v2**    



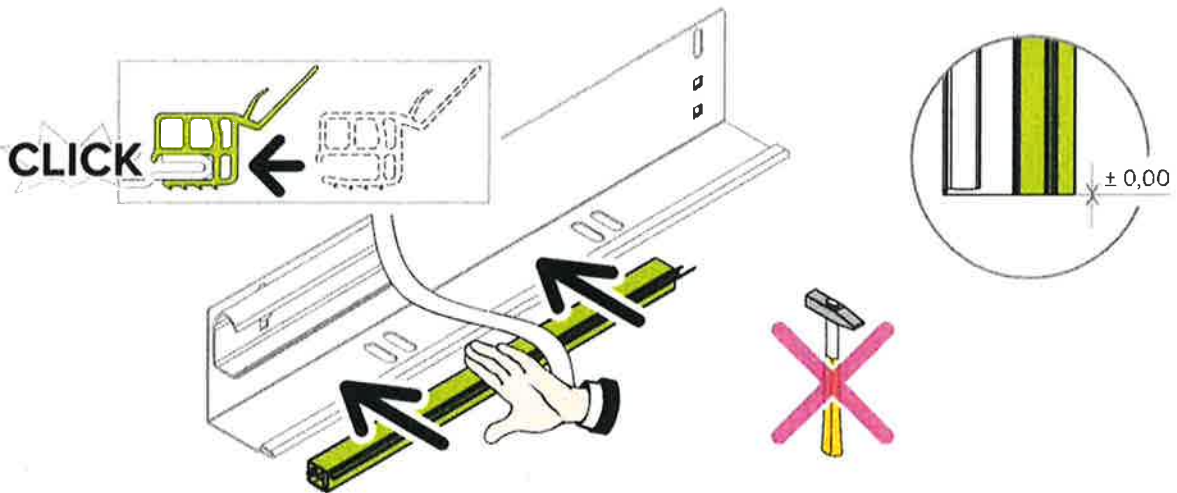
OPTION

39

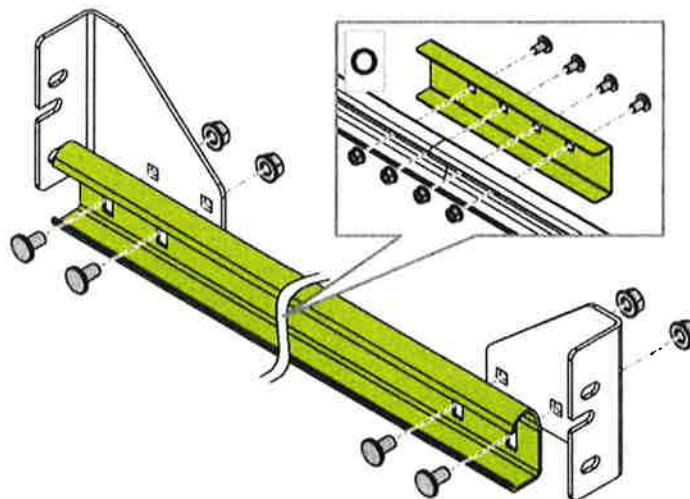


39.1

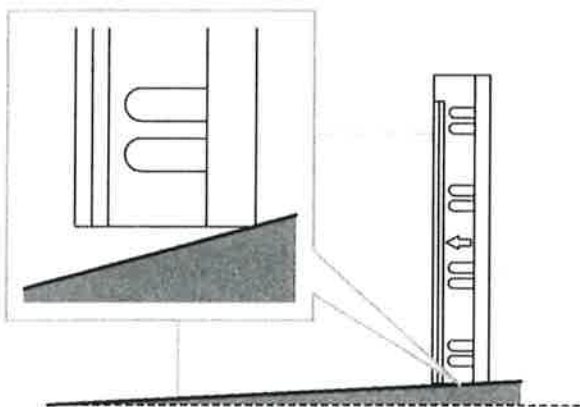
OPTION



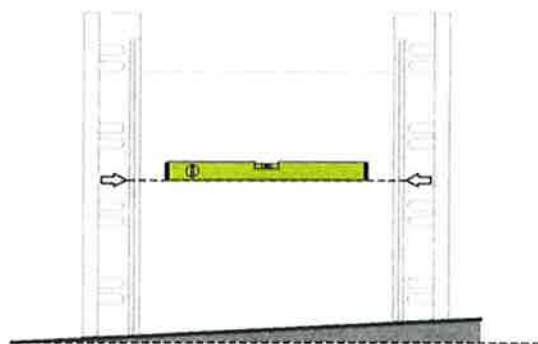
39.2



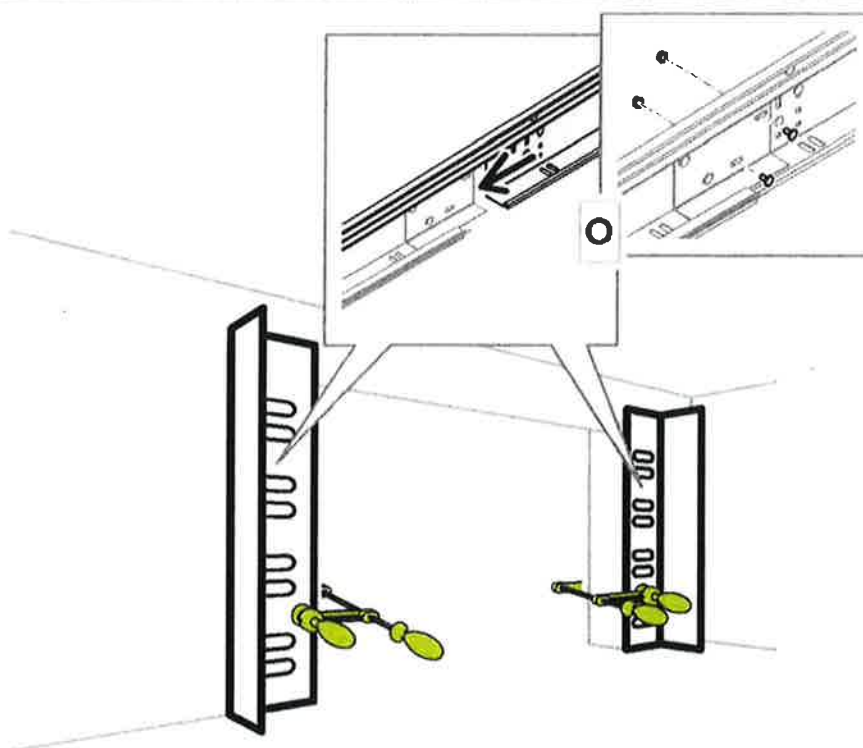
40



40.1

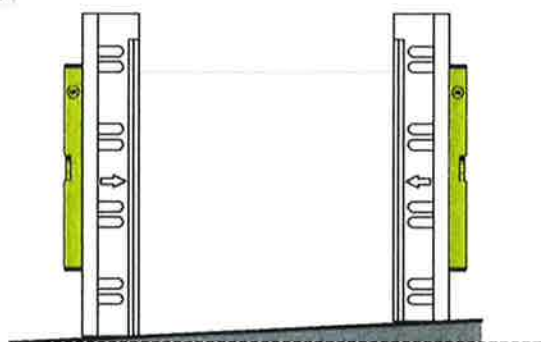


41

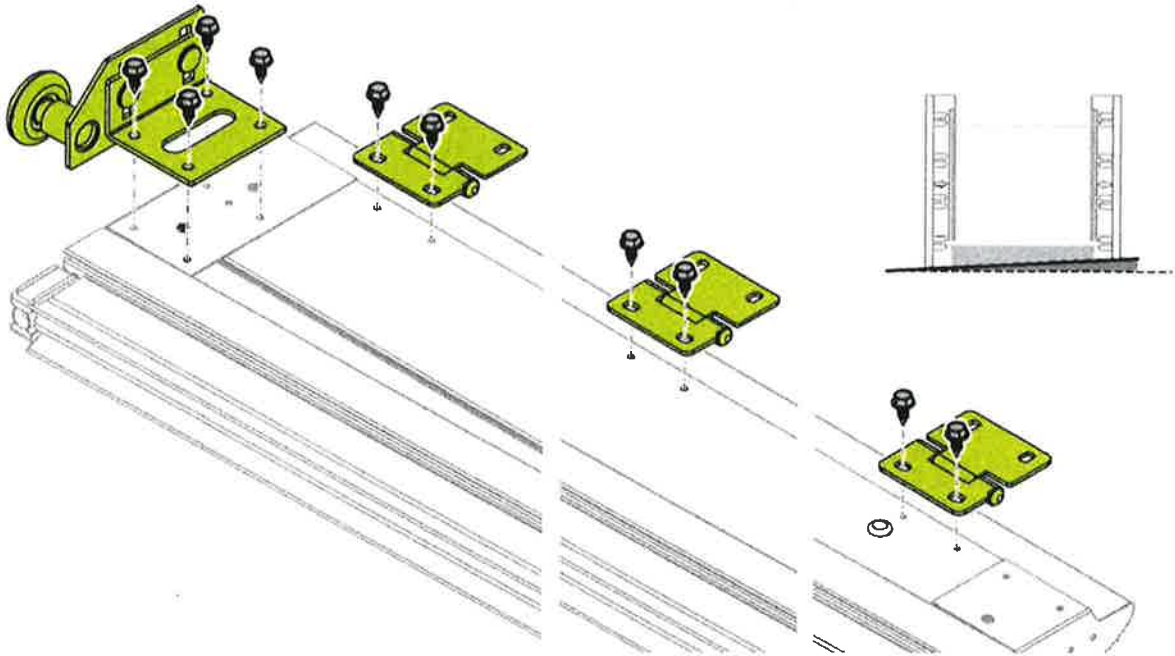


OPTION

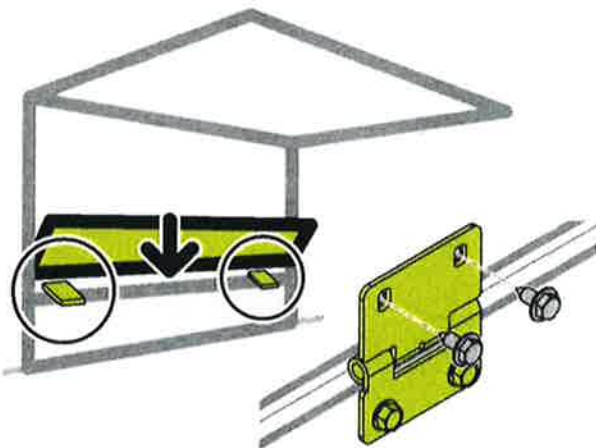
41.1



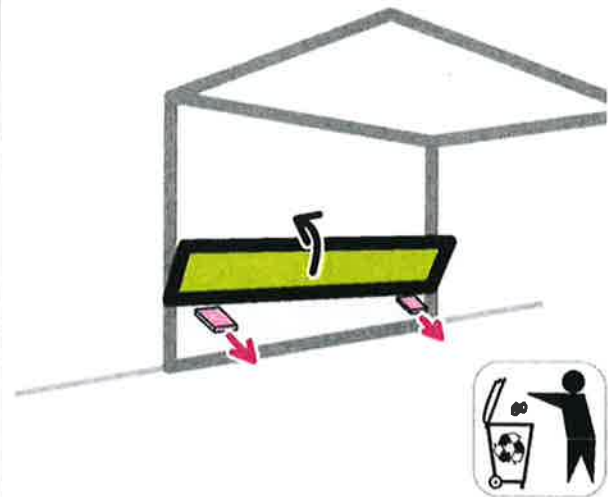
42



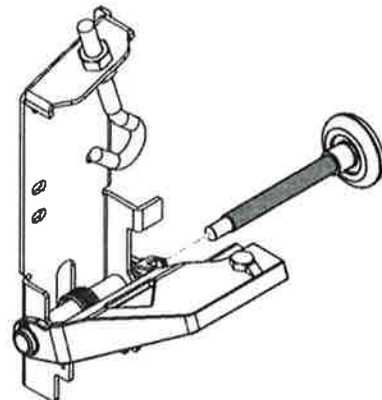
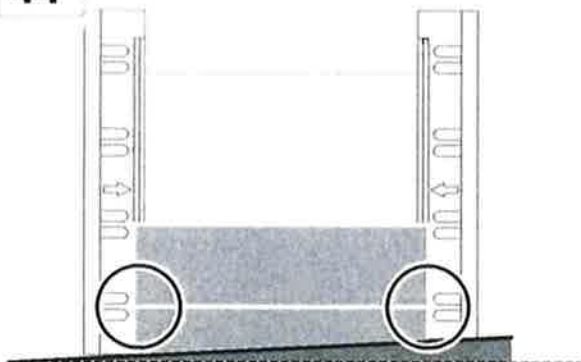
43



43.1



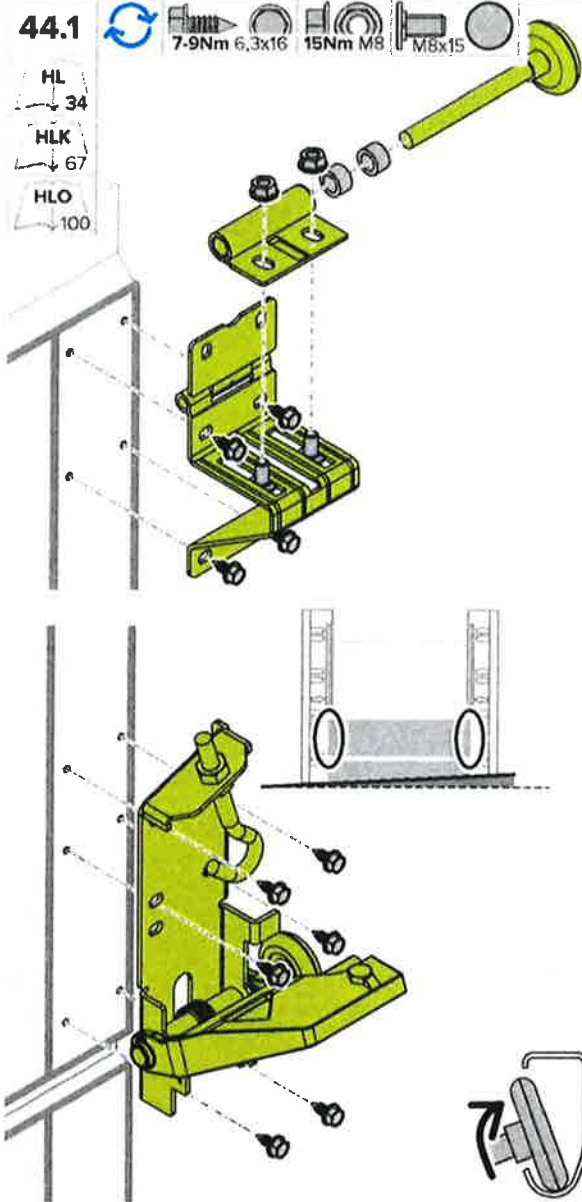
44



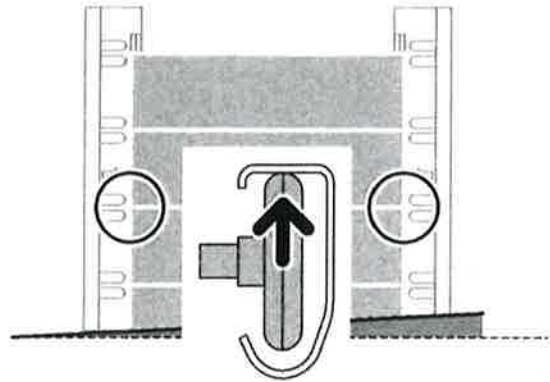
OPTION

44.1

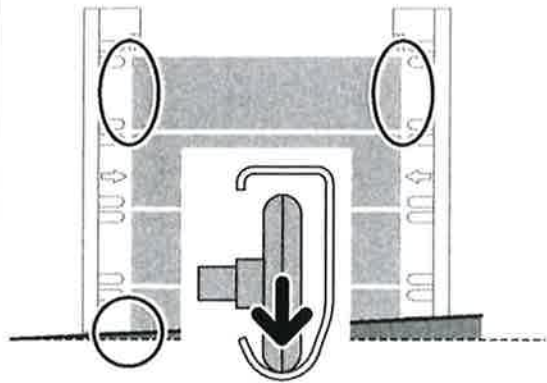
HL
34
HLK
67
HLO
100



45

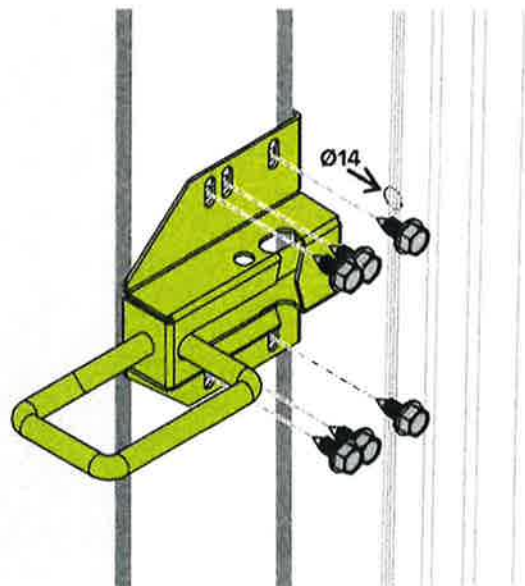
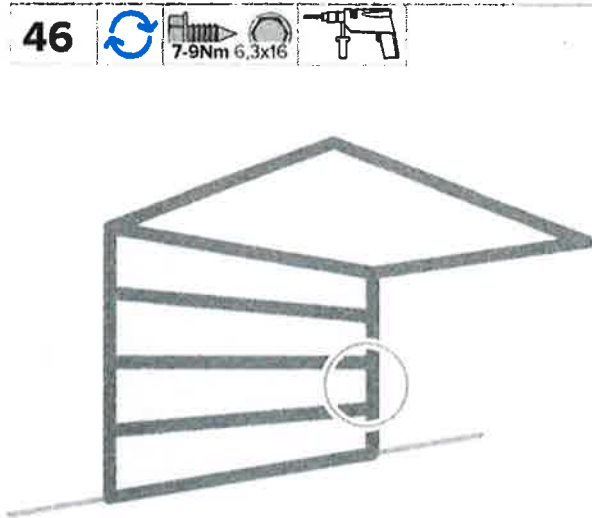
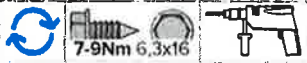


45.1

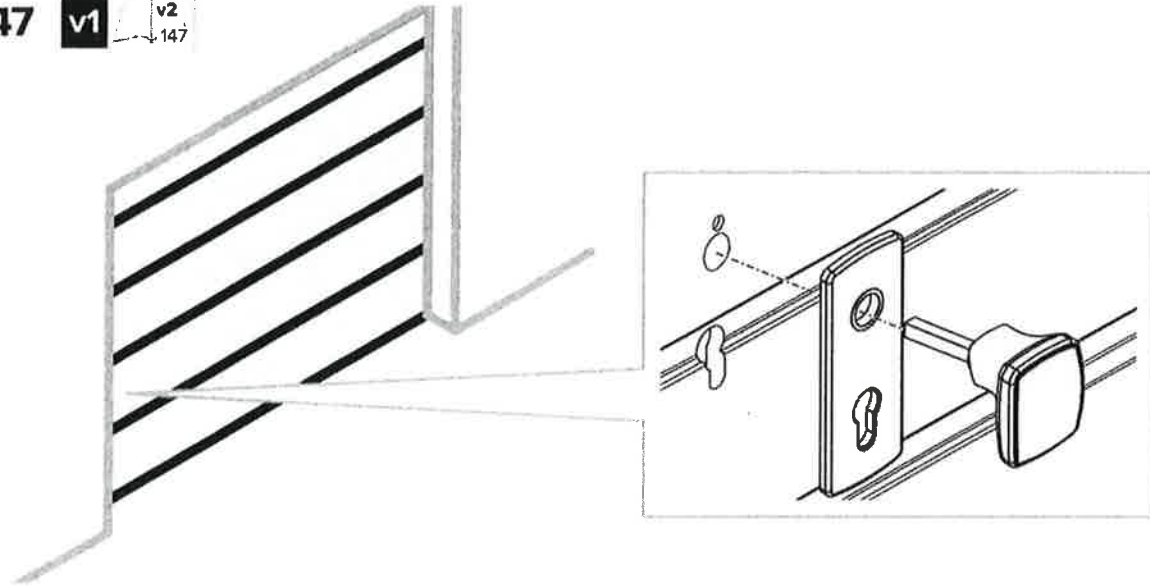


OPTION

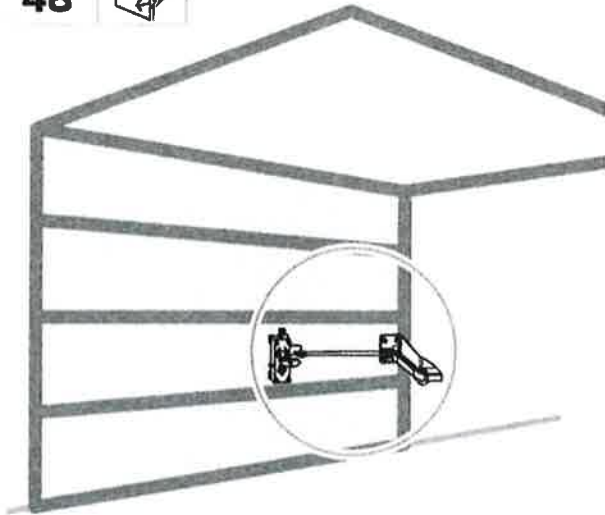
46



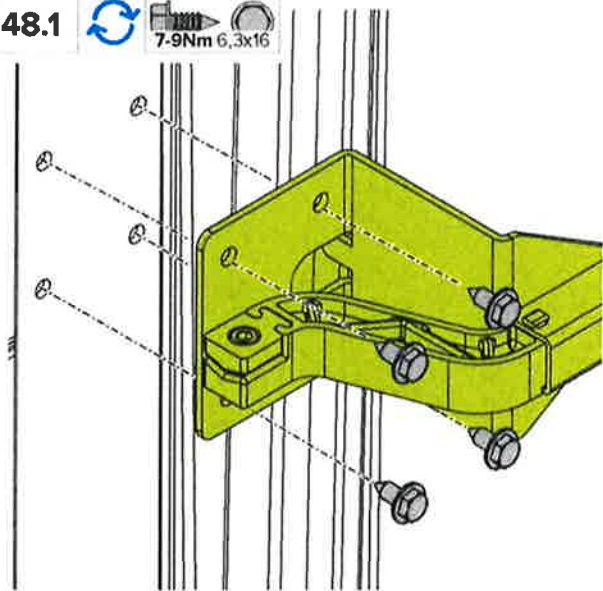
47 **v1** v2
147



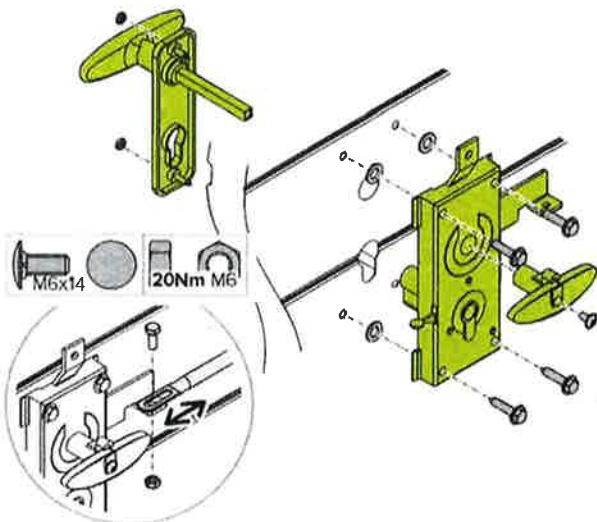
48



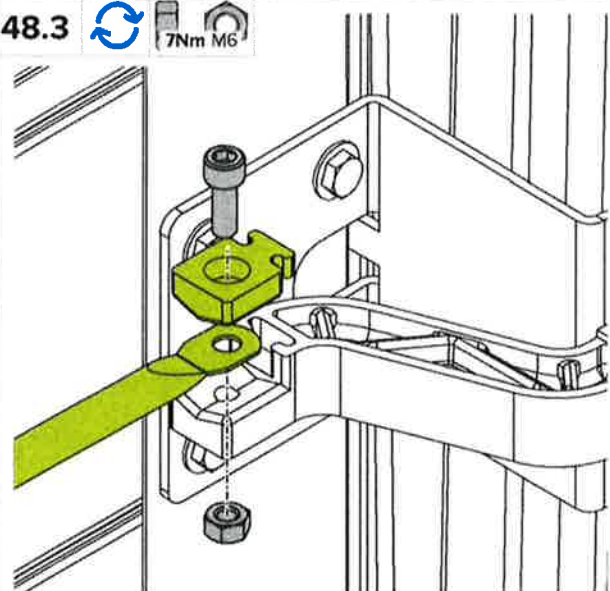
48.1 7-9Nm 6.3x16



48.2 7-9Nm 6.3x32 6.4 M5x10

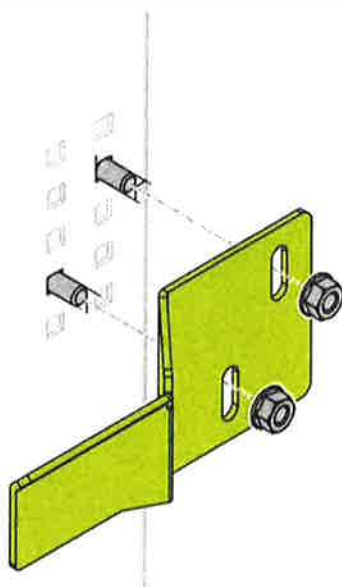
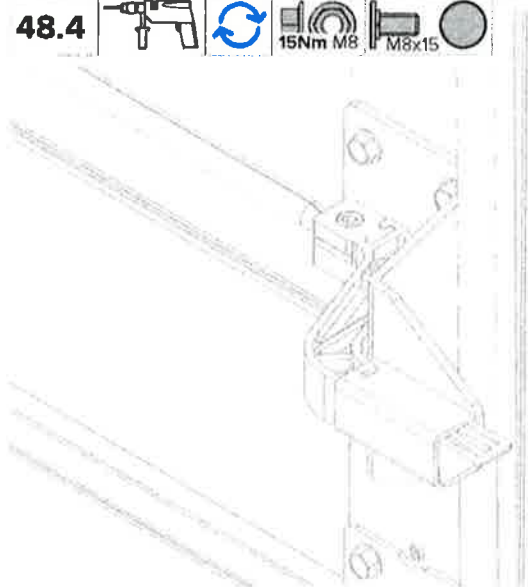


48.3 7Nm M6

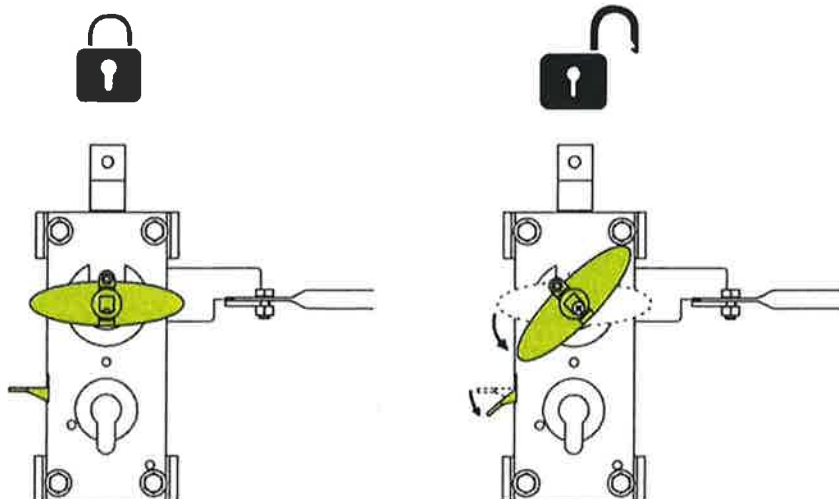


OPTION

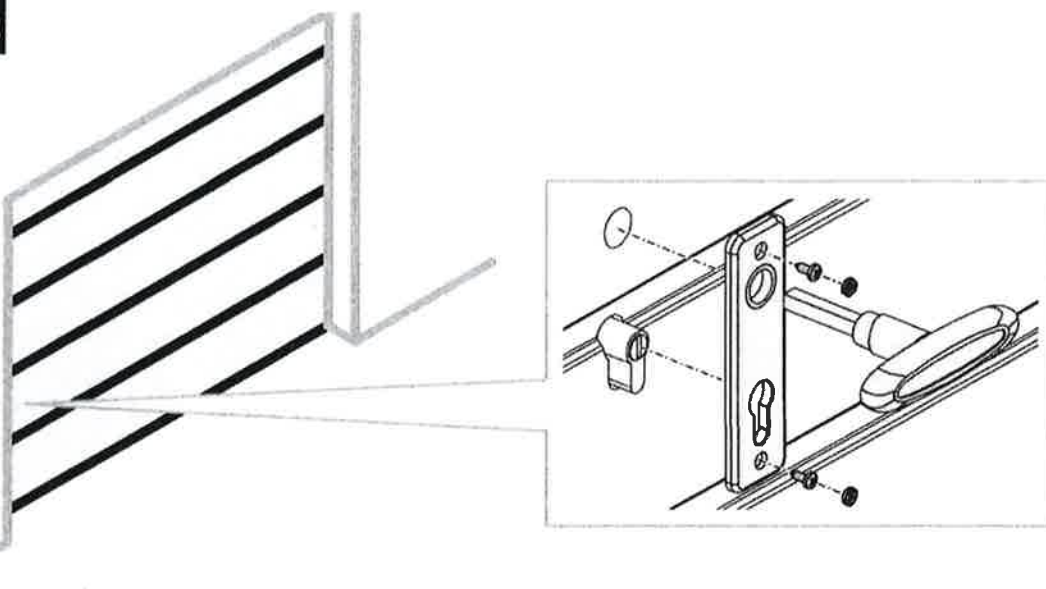
48.4



48.5

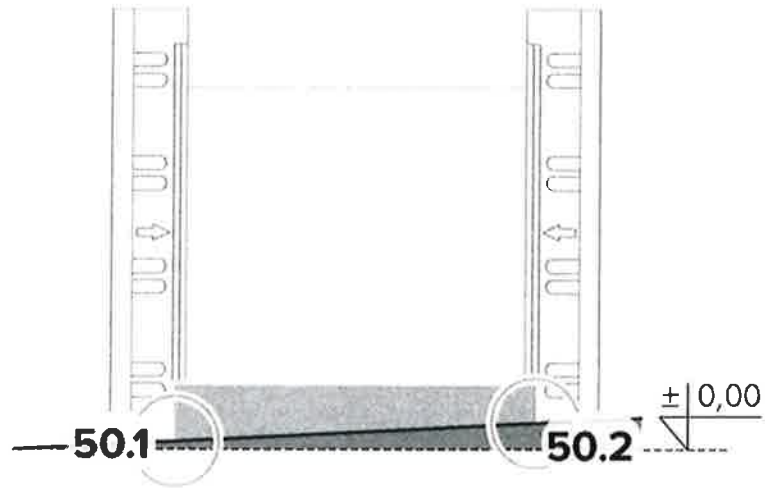


49 v2

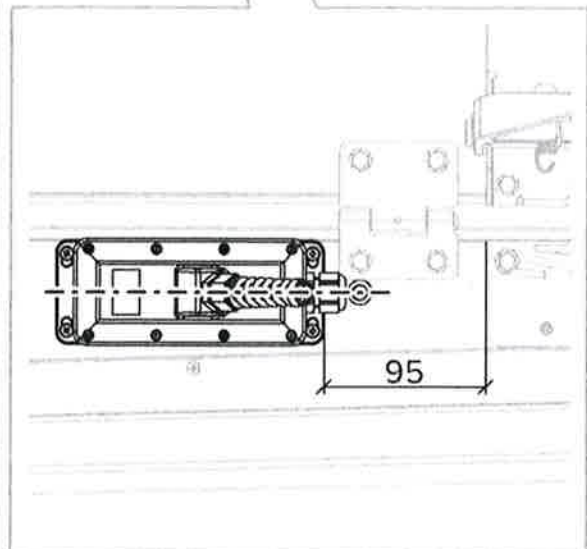
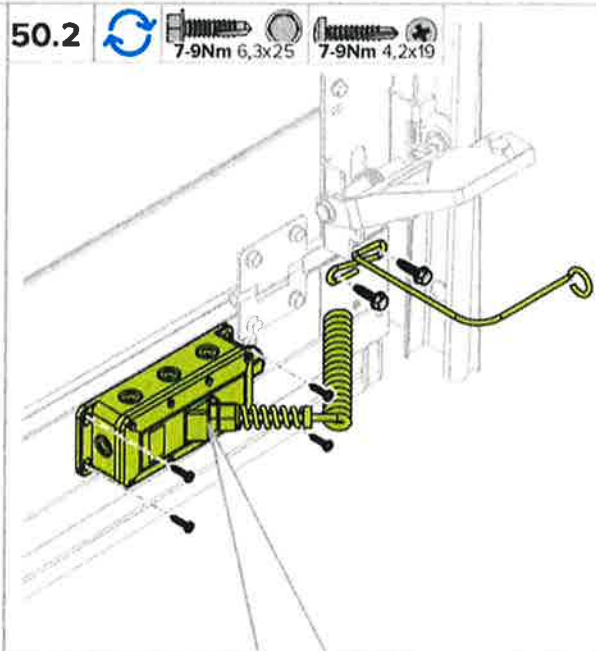
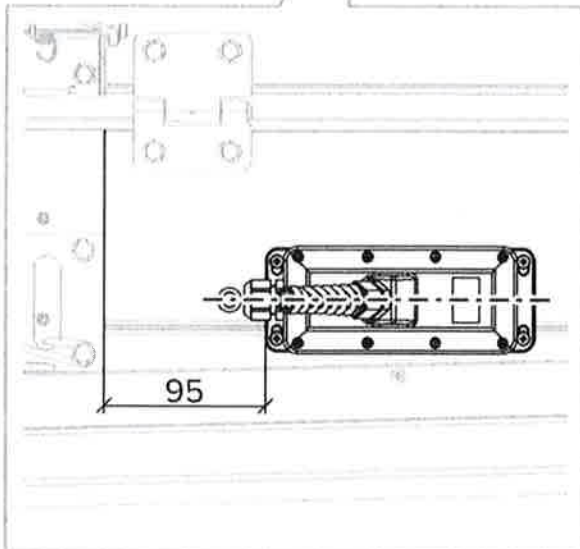
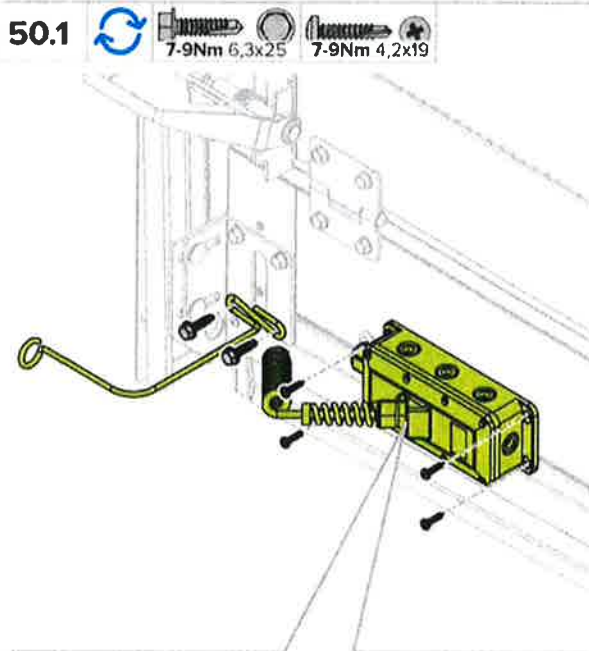


OPTION

50



OPTION

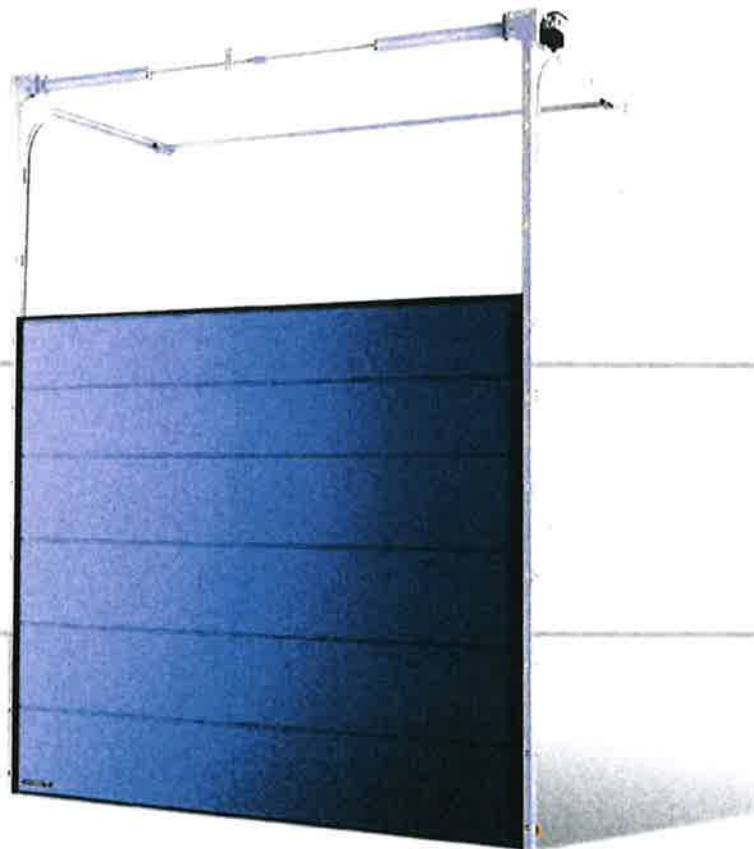


OPTION

OPTION

OPTION

Montażysta:



III O/BPR/MP/12/2020/ID-98565/KTM-653B610985650



WIŚNIEWSKI

WIŚNIEWSKI Sp. z o.o. S.K.A.
PL 33-311 Wielogłowy 153
TEL. +48 18 44 77 111
FAX +48 18 44 77 110
www.wisniowski.pl
N = 49° 40' 10" E = 20° 41' 12"